



V20

115V & 230V (AC)

Fuel Transfer Pump

Bomba de transferencia de combustible

Pompe de transfert de carburant

20 GPM (76 L/min)

**Models: V20-115PO, V20-230PX, V20-115MD, V20-230MD,
V20-115MU, V20-230MU, V20-115AD, V20-230AD, V20-
115AU, V20-230AU, V20-115RD, V20-230RD
(PATENT-PENDING)**

Thank you for choosing Great Plains Industries as your preferred brand! Our team places innovation, precision, and care into every product made, providing you with the best total value. This manual contains critical product information.

Save these instructions and observe all safety information to prevent personal injury or property damage. See back cover for warranty and customer support details.

DO NOT RETURN THIS PRODUCT TO THE STORE!

Please contact Great Plains Industries, Inc. before returning any product. If you are missing parts, or experience problems with your installation, contact our Customer Support Department. We will be happy to assist you.

EN

¡Gracias por elegir Great Plains Industries como su marca preferida! Nuestro equipo pone innovación, precisión y cuidado en cada producto fabricado, proporcionándole el mejor valor total. Este manual contiene información crítica del producto. Guarde estas instrucciones y observe toda la información de seguridad para evitar lesiones personales o daños materiales. Consulte la contraportada para obtener detalles sobre la garantía y el soporte al cliente.

¡NO DEVUELVA ESTE PRODUCTO A LA TIENDA!

Comuníquese con Great Plains Industries, Inc. antes de devolver cualquier producto. Si le faltan piezas o experimenta problemas con su instalación, comuníquese con nuestro Departamento de atención al cliente. Estaremos encantados de ayudarle.

ES

Merci d'avoir choisi Great Plains Industries comme votre marque préférée! Notre équipe place l'innovation, la précision et le soin dans chaque produit fabriqué, vous offrant la meilleure valeur totale. Ce manuel contient des informations critiques sur le produit. Conservez ces instructions et respectez toutes les informations de sécurité pour éviter les blessures corporelles ou les dommages matériels.

Consultez la couverture arrière pour obtenir des détails sur la garantie et le support client.

NE PAS RENVOYER CE PRODUIT AU MAGASIN !

Veuillez contacter Great Plains Industries, Inc. avant de retourner un produit. S'il vous manque des pièces ou si vous rencontrez des problèmes avec votre installation, contactez notre service d'assistance à la clientèle. Nous serons heureux de vous aider.

FR

Call / Llamar / Appel: 800-835-0113 or 316-686-7361

Email: gpisales@gpilains.com

Website: gpi.net

SAVE / GUARDAR / CONSERVEZ

Model / Modelo / Modèle #: _____

Serial / Serie / Série #: _____

Date / Fecha / Date: _____

BEFORE YOU BEGIN

Fuel Compatibility Statement

- This fuel pump is designed, tested and approved for use with gasoline blends (up to E15), diesel fuel blends (up to B20) and kerosene. In addition, PO/PX models are approved for use with Aviation Gasoline (AVGAS 100LL) and Jet A. Please take all due precautions when handling these flammable liquids.
- Do not use this pump for dispensing any fluids other than those for which it was designed. To do so may damage the pumps components and will void the warranty.

Attention: Biodiesel blends have not yet been evaluated by any regulating agency

Power Source Requirements



- Pump models that include “115” are to be connected to 115V (ac); Do not attempt connection of any of these pumps to a (dc) power source. Do not attempt connection of any of these pumps to a 230V (ac) power source without reconfiguring the wiring in the junction box. (see pg.15)
- Pump models that include “230” are to be connected to 230V (ac); Do not attempt connection of any of these pumps to a (dc) power source. Do not attempt connection of any of these pumps to a 115V (ac) power source without reconfiguring the wiring in the junction box. (see pg.15)

Tools Needed



- Adjustable Wrench, Pipe Wrench, Pliers, Utility Knife, Wire Crimper/Stripper, and Metric Hex Wrenches (Hex Key).

CONTENTS



Model	Lockable Nozzle Holder	Modular Fitting & Hardware	18 FT Dispensing Hose	Nozzle
PO/PX	X	X	N/A	N/A
RD	N/A	X	N/A	N/A
MD	X	X	1”	Manual Diesel
MU	X	X	3/4”	Manual Unleaded
AD	X	X	1”	Automatic Diesel
AU	X	X	3/4”	Automatic Unleaded

UNPACKING

Shipping Damage Check



- After unpacking the unit, inspect carefully for any damage that may have occurred during transit. Check for loose, missing or damaged parts. Shipping damage claims must be filed with carrier. Review General Safety Instructions and all Caution, Warning, and Danger statements as shown.

GENERAL SAFETY INSTRUCTIONS

IMPORTANT: It is your responsibility to:

- Know and follow applicable national, state and local safety codes pertaining to installing and operating electrical equipment for use with flammable liquids.
- Know and follow all safety precautions when handling petroleum fuels.
- Ensure that all equipment operators have access to adequate instructions concerning safe operating and maintenance procedures.

Observe all safety precautions concerning safe handling of petroleum fuels

SYMBOLS



Description of imminent hazard and failure to avoid hazard will result in death.



Description of hazard and possible resulting injuries or death.



Description of hazard and possible resulting injuries.



This symbol indicates a general warning to the user. See additional specific warnings.



This symbol indicates electrical shock hazard. Follow proper installation and maintenance instructions in this manual.



This symbol indicates hot surface. Take care to avoid coming into contact with hot surface.



This symbol indicates automatic restart. Pump contains thermal protection which automatically shuts off motor before overheating. Pump will turn back on automatically after cooling. Turn switch OFF and wait 30 minutes to resume normal pumping. Disconnect power before any inspection or service.



Owner's manual must be read before using, inspecting, or servicing this product.



Disconnect power when product is unattended or in the case of a malfunction. Disconnect power before any inspection, servicing, or maintenance.



To prevent physical injury or property damage, observe precautions against fire or explosion when dispensing fuel. Do not operate the system in the presence of ignition sources such as, but not limited to: open flames, lighted cigarettes, running or hot engines, gas or electric heaters.



GENERAL SAFETY INSTRUCTIONS (CONTINUED)**SAFETY WARNINGS****⚠ DANGER**

To prevent physical injury or property damage, observe precautions against fire or explosion when dispensing fuel. Do not operate the system in the presence of any source of ignition including running or hot engines, lighted tobacco products, gas or electric heaters, or any type of electronic device. A spark can ignite fuel vapors.

⚠ DANGER

Observe precautions against electrical shock when operating the system. Serious or fatal shock can result from operating electrical equipment in damp or wet locations.

⚠ DANGER

Observe precautions against electrical shock when servicing the pump. Always disconnect power before repairing or servicing. Never apply electrical power to the system when any of the cover plates are removed.

⚠ WARNING

To ensure safe operation, all fuel transfer systems must be properly grounded. Proper grounding means a continuous metal-to-metal contact from one component to the next, including tank, tank mount, pump, meter, filter, hose and nozzle. Care should be taken to ensure proper grounding during initial installation and after any service or repair procedures. For your safety, please take a moment to review the warnings below.

⚠ WARNING

Inspect external pump wiring regularly to make sure it is correctly attached to the battery. To avoid electrical shock, use extra care when connecting the pump to power.

⚠ WARNING

Avoid prolonged skin contact with petroleum fuels. Use protective goggles, gloves and aprons in case of splashing or spills. Change saturated clothing and wash skin promptly with soap and water.

⚠ WARNING

Securely fasten all wetted connections with the proper use of O-rings, or pipe sealant and thread tape. Leaking fuel may cause the potential for fire and explosion.

⚠ WARNING

Pump models that may be used in aviation refueling (PO/PX models) are NOT supplied with appropriate hose, nozzle, and suction pipe. These items must meet NFPA 407 guidelines.

For ground-based refueling only. Do not use in or on the aircraft. For use with aviation gasoline (AVGAS 100LL) and Jet A. User should consult NFPA 407 Standard for Aircraft Fuel Servicing for safety requirements during ground fuel servicing of aircraft using liquid petroleum fuels. This product has no actual or implied compliance with this standard.

⚠ WARNING

This pump is provided with an internal auxiliary temperature-limiting device which automatically shuts off the motor before overheating. The pump will turn back on automatically after cooling if the switch is not in the off position. Turn the switch OFF and wait 30 minutes to resume normal operation.

⚠ CAUTION

If using solvent to clean pump components or tank, observe the solvent manufacturer's recommendations for safe use and disposal.

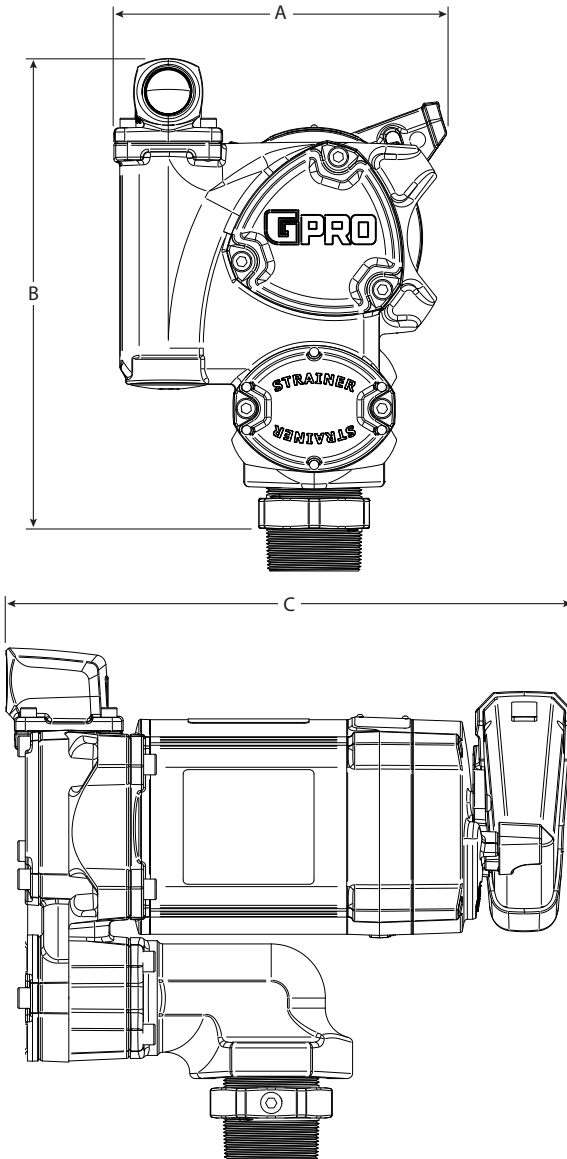
SPECIFICATIONS

	PX	PO	RD	MD	AD	MU	AU	
Housing Material	Cast Iron							
Pump Rate*	20 GPM (76 L/min)							
Duty Cycle	Intermittent, 30 minute ON, 30 minute OFF							
Suction Lift*	Up to 15 ft. (4.5 m)							
Operating Temperature	-20 °F to 125 °F (-29 °C to 52 °C)							
XTS Operating Temperature	Extreme Temperature Series pumps are capable of operation down to -40 °F (-40 °C). Any pump operation below -20 °F (-29 °C) has not been evaluated by any regulating agency.							
Max. Surface Temperature	320 °F (160 °C)							
Operating Pressure	Up to 25 PSI (1.72 bar)							
Input*	115VAC 60Hz 230VAC 50/60Hz							
Current Draw*	115V AC 60Hz 5.5A 230V AC 60Hz 2.8A							
Motor*	1690 RPM, 1/2 hp							
Whole Pump Approval	UL 79							
Motor Approval	cULus Listed, Class I Div 1 IECEX/ATEX Zone 1	cULus Listed, Class I Div 1 Only						
Motor Protection	Thermal Breaker (Automatically Resets)							
Tank Adapter	2" BSPT	2 in. NPT						
Inlet	1" BSPP	1 in. NPT						
Outlet	1" BSPP	1 in. NPT						
Hose Type	N/A			Buna-N Electrically Conductive Discharge Hose with Static Wire				
Hose Size	N/A			1 in. x 18 ft. (5.5 m)		3/4 in. x 18 ft.		
Nozzle	N/A			1 in. Manual Diesel	1 in. Auto Diesel	3/4 in. Manual Unleaded	3/4 in. Auto Unleaded	

***NOTE:** 50Hz supply voltage will produce pump rate of 61L/min, suction lift of 3.9m, current draw of 4.3A, motor performance of 1395 RPM, and 4/10 HP.

SPECIFICATIONS (CONTINUED)**DIMENSIONS**

A. Pump Assy Width	8.26in. (20.98 cm)
B. Pump Assy Height	11.68 in. (29.67 cm)
C. Pump Assy Depth	14.08 in. (35.76 cm)

**Figure 1**

SPECIFICATIONS (CONTINUED)

SAFETY TESTING APPROVALS

The V20 has been tested for compliance to the standards issues by Underwriters Laboratories. The pump utilizes a motor IM050 (or IM050X for PX pump models) that has been tested for compliance to the standards issues by Underwriters Laboratories. In addition to UL, the IM050X is compliant with IECEx, and ATEX.

V20

UL 79 (Tenth Edition) Standard for Power-Operated Pumps for Petroleum Dispensing Products.



IM050 and IM050X

UL 674 (Edition 5): Electric motors and generators for use in hazardous (classified) locations.



IM050X

IEC Information

Marking string: **Ex db IIA T4 Gb**
IECEx UL 23.0055X

Standards used:

IEC 60079-0 (Edition 7.0): Explosive Atmospheres – Part 0: Equipment - General requirements.

IEC 60079-1 (Edition 7.0): Explosive Atmospheres – Part 1: Equipment protected by flameproof enclosures “d”.

IECEx specific conditions of use:

1. Flameproof joints are not intended to be repaired.
2. The special fasteners used as securing bolts for the end bell are made of Class 12.9 type fasteners. The special fasteners used for electrical cover plate attachment are made of Class 12.9 type fasteners.

ATEX Information

Marking string: **CE**₂₈₀₉ **Ex** II 2 G Ex db IIA T4 Gb
UL 23 ATEX 3049X

Standards used:

EN IEC 60079-0: 2018

EN 60079-1: 2014

ATEX specific conditions of use:

1. Flameproof joints are not intended to be repaired.
2. The special fasteners used as securing bolts for the end bell are made of Class 12.9 type fasteners. The special fasteners used for electrical cover plate attachment are made of Class 12.9 type fasteners.

Declaration of Conformity

We declare, that the product:

Product Name: V20 Electric Fuel Pump Motor
 Model Numbers: IM050X

Conforms with the requirements of the Directives below by compliance with the Standards subsequently listed:

1. Council Directive 2014/34/EU relating to equipment or protective systems intended for use in potentially explosive atmospheres,

EN IEC 60079-0:2017 Edition 7
 EN 60079-1:2014 Edition 7

Supplementary Information:

Specific conditions of use:

- The flameproof joints are not intended to be repaired.
- The special fasteners used as securing bolts for the end bell are made of Class 12.9 type fasteners. The special fasteners used for electrical cover plate attachment are made of Class 12.9 typefasteners.

I the undersigned, hereby declare that the equipment specified above conforms to the above Directive(s) and Standard(s).

Signature:



Full Name:

Victor Lukic

Position:

President
 Great Plains Industries, Inc.

Place:

Wichita, KS USA

Notified Body: UL International Demko A/S
 Borupvang 5A
 2750 Ballerup,
 Denmark

Identification No: 0539

EU-Type Examination Certificate No: UL 23 ATEX 3049X REV. 0



5252 E. 36th St. N. Wichita, KS 67220-3205
 316-686-7361 / f. 316-686-6746 / GPI.net

INSTALLATION INSTRUCTIONS

⚠ WARNING *Coverplates protect the operator from moving parts. Never operate the pump without coverplates in place. Never apply electric power to the pump without coverplates in place. Always disconnect power before repairing or servicing*

Mechanical Connections

NOTE: All threaded fuel connections must be sealed with thread tape or a pipe thread sealing compound approved for use with petroleum fuels and tightened securely to prevent leakage.

NOTE: This pump must be mounted on a vented tank.

NOTE: This pump is designed to mount directly to a standard 2 in. male pump tank mount adapter (included).

Install Tank Adapter and Suction Pipe

NOTE: For Aluminum Tank Installation - To prevent thread galling of aluminum fittings, always prepare the threads for assembly using an anti-seize compound such as Loctite® 567™, HERNON® Dripstop® 940 or equivalent.

1. Clean the tank interior of all dirt and foreign material.
2. For the suction pipe, a 1 in. steel pipe cut to length and threaded on one end may be used. Suction pipe should extend to within 3 inches of tank bottom.
3. Wrap the threaded end of suction pipe with three or four turns of thread tape (see Figure 2). Thread the suction pipe into the bottom of the adapter and hand tighten until snug.
4. Wrap the upper threaded end of the tank adapter with three or four turns of thread tape and insert suction pipe / tank adapter into threaded tank opening (see Figure 3). Using a wrench, tighten the adapter snugly into the fuel tank.



Figure 2

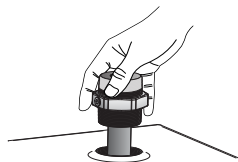


Figure 3

Install Pump on Tank

Using pliers, remove the plastic plug from inlet port on bottom of pump, then using a wrench, tighten the pump onto the adapter.

Install Nozzle Cover

NOTE: DO NOT install nozzle cover until after wiring is completed.

NOTE: RD versions do not include a Nozzle Cover. A bracket can be installed in its place to permanently keep the switch in the "ON" position so that the pump can be turned on/off at a remote dispense location (see Page 12).

Using a 4mm Hex wrench, install nozzle cover using (2) M6-1.0 x 14mm BHCS in lower hole (see Figure 4).

Install Outlet Adapter

1. Remove plastic plug from outlet port of pump.
2. Install #222 O-ring into outlet port. Make sure O-ring is seated properly.
3. Using a 5mm Hex wrench, install the (4) M6-1.0 x 20mm SHCS into the outlet adapter in desired direction on outlet port (see Figure 4).

INSTALLATION INSTRUCTIONS (CONTINUED)

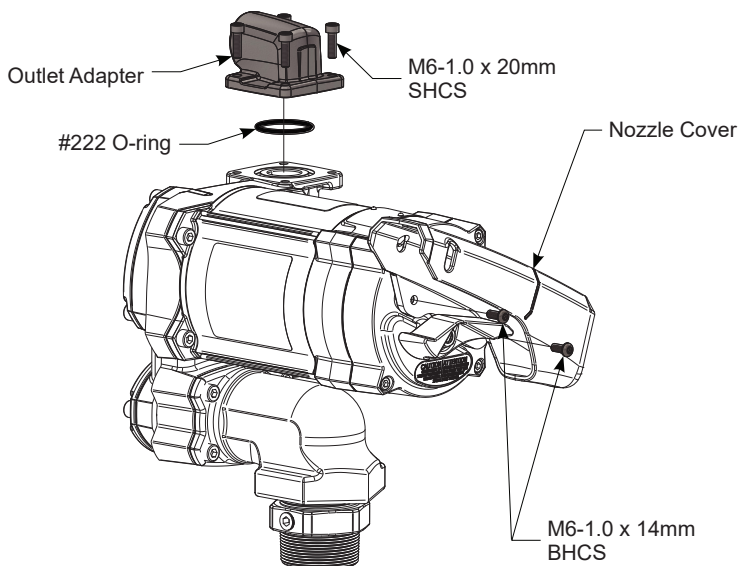


Figure 4

Install Hose and Nozzle

1. Wrap one end of the dispensing hose with three to four turns of thread tape and thread into outlet port. Tighten securely using an adjustable wrench.
2. Wrap opposite end of hose with three or four turns of thread tape and thread into nozzle. Tighten securely using an adjustable wrench.
3. Place the nozzle into the nozzle holder on the end of the pump motor housing. Note that the nozzle cannot be placed in the holder unless the pump switch is OFF (see Figure 8 and 9).

⚠ DANGER *If the pump is to be installed in a hazardous (classified) location, it must be installed by a licensed electrician and conform to all National, State, and Local codes. Including, but not limited to; NEC/CSA 22.1/ANSI/IEC/NFPA 70, 30, and 30A. You, as the owner, are responsible for seeing that the installation and operation of your pump complies with all applicable codes. Rigid conduits must be used to install wiring. Note that the lead wires are factory-sealed, isolating the motor from the junction box. Failure to follow these wiring instructions may result in death or serious injury from shock, fire or explosion.*

INSTALLATION INSTRUCTIONS (CONTINUED)

For Zone 1 or 2 (IECEX/ATEX)

Use a suitable Ex db cable gland during Zone 1 or 2 installations. Power cord or cable (not supplied) should be compliant with Clause No. 10.6.2 of IEC 60079-14. Conductors used for line voltage must have insulation rated at 105°C or above.

Remote Dispense and Switch Locking Bracket

Attention: RD pumps are only to be used with UL listed equipment/control devices. The equipment used must be suitable for the area classification it is being installed in. The RD remote dispenser pump incorporates an external switch lever lock that holds the pump switch in the "ON" position. The pump is typically shut off using a remote dispensing device "ON-OFF" mechanism.

Electrical Connections

Electrical wiring and connections must be made only by a licensed electrician in accordance with national, state and local electrical codes regarding Class I, Division 1, Group D locations. This includes but is not limited to the National Fire Protection Association (NFPA) Code 70, Article 501.15(A)(1). Other codes may apply.

Thread for the conduit connection at the pump junction box is 1/2 in. FNPT.

A 15-amp or 20-amp breaker is recommended.

Wiring Details

1. Remove electrical cover plate (see Figure 5). Install conduit and cable from supply power to pump junction box. Wiring must be in accordance with Class I, Division 1 requirements in the applicable national electrical code. Note that the lead wires are factory-sealed isolating the motor from the junction box.

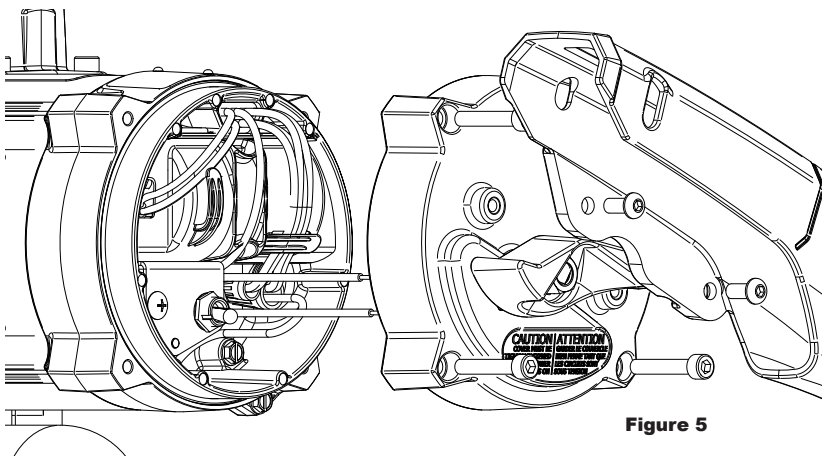


Figure 5

INSTALLATION INSTRUCTIONS (CONTINUED)

2. Attach ground wire using the green ground screw located inside the junction box (see Figure 6). The external bonding connection is only a supplemental bonding connection where local authorities permit or require such a connection.

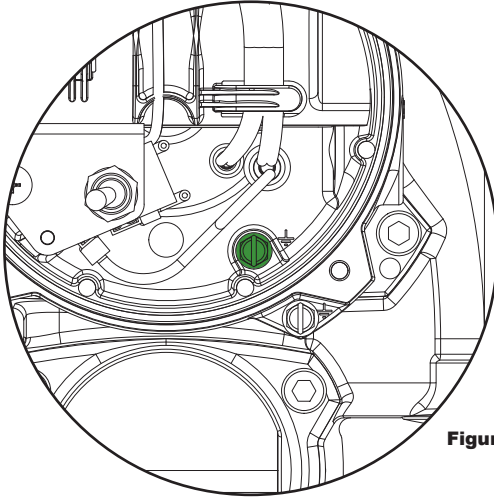


Figure 6

NOTE: An accessory AC control circuit can be used to operate a device such as a signal light or a solenoid operated valve. The “hot” AC lead should be tied into the large wire nut inside the junction box (see Figure 7), and the neutral lead should be tied with the neutral at the switch. Maximum amp draw on the control circuit should be limited to 1 amp.

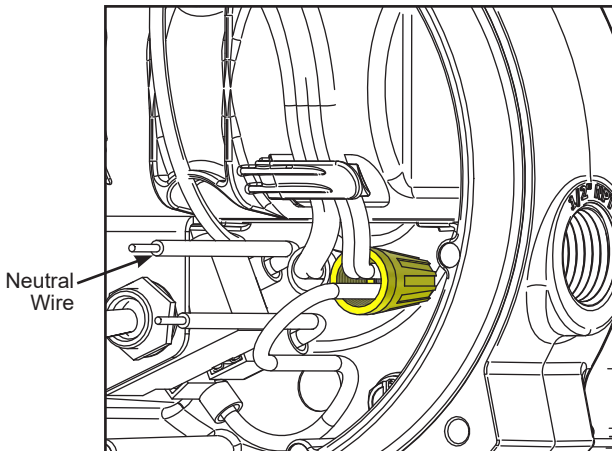
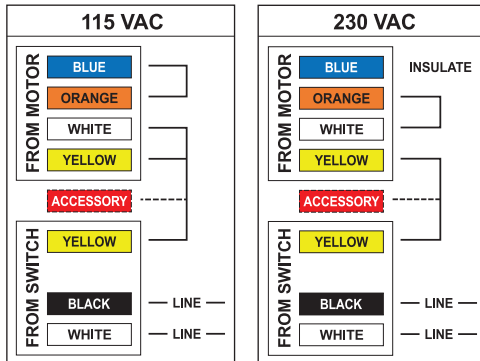


Figure 7

INSTALLATION INSTRUCTIONS (CONTINUED)

NOTE: The V20 is a dual voltage motor that can be converted between 115VAC and 230VAC if needed. For the motor to run in 115V configuration, couple the blue and orange motor leads together with a wire nut and then couple the white and yellow motor leads together along with the yellow lead from the switch with another wire nut. For the motor to run in 230V configuration, insulate the blue motor lead with a small wire nut, couple the orange and white motor lead with a wire nut and couple the yellow motor lead with the yellow lead from the switch with another wire nut. Refer to the wiring diagram.

NON-PX WIRING DIAGRAM

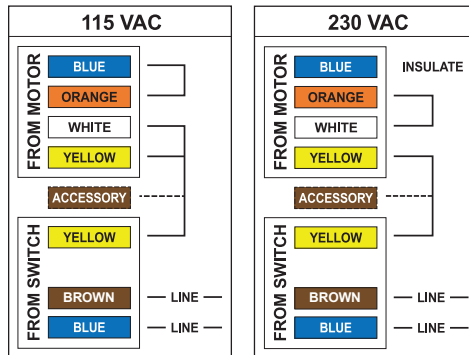


171902-01

Rev (-)

Figure 7a

PX WIRING DIAGRAM



171902-02

Rev (-)

Figure 7b

- Match voltage, connect motor to power supply phases. (see Figures 7a/7b)
- Position wires inside the junction box and replace electrical cover. Install all four (4) screws.

OPERATION

IMPORTANT: Always follow safety precautions when operating this equipment. Review the safety instructions.

⚠ DANGER To prevent physical injury or property damage, observe precautions against fire or explosion when dispensing fuel. Do not operate the system in the presence of any source of ignition including running or hot engines, lighted tobacco products, gas or electric heaters, or any type of electronic device. A spark can ignite fuel vapors.

⚠ CAUTION Before each use, repair leaks around seals or connections. Make sure hoses are in good condition and connections are tight. If damaged, replace hoses before use.

NOTE: Make sure the work area is dry

⚠ WARNING Make sure the pump is properly grounded. Repair any corroded or damaged wiring before use.

NOTE: Ensure the tank contains enough fuel

IMPORTANT: Make sure the fuel is not contaminated with debris. Tighten loose tank lids regularly.

Dispensing Fuel

Remove the nozzle from holder and insert into receiving tank. Turn the pump on by pushing the switch lever up. Squeeze the handle to start fuel flow. When done, release the nozzle handle, turn the pump off, and return the nozzle to its holder.

IMPORTANT: This pump is designed to be self-priming. If fuel is not delivered within 15 to 20 seconds, turn the pump off and refer to priming information in the Troubleshooting Guide. (see pg. 18)

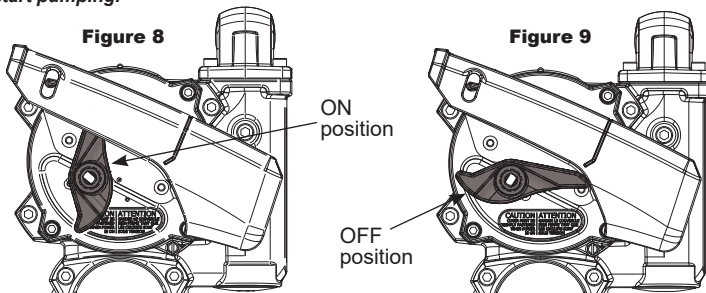
⚠ CAUTION An automatic bypass valve prevents pressure build up when the pump is on with the nozzle closed. To avoid pump damage, do not run the pump more than 10 minutes with the nozzle closed. Leaving the pump on with the nozzle closed for more than 10 minutes can damage the pump components and will void the warranty.

⚠ CAUTION Never leave the pump running without fluid. Dry running can damage the pump components, and will void the warranty.

IMPORTANT: This is an intermittent duty pump, after running the pump for a maximum of 30 minutes, allow it to cool for 30 minutes.

IMPORTANT: The motor is provided with an internal temperature-limiting device. Excessive motor heat will trip the device and will only reset after the motor has cooled. If the device trips, turn the switch OFF and let the pump cool for 30 min. Turn the switch ON again when ready to operate. If the device trips again before the end of the duty cycle, see the troubleshooting guide.

⚠ CAUTION Always turn the pump off if the temperature-limiting device trips. If left on, the pump will automatically reset when cool and start pumping.



MAINTENANCE

NOTE: This pump is designed for minimum maintenance. The motor bearings are self-lubricating. Inspect the pump and components regularly for fuel leaks and make sure the hose and power cord are in good condition. If damaged, replace before use. Keep the pump exterior clean to help identify leaks.

IMPORTANT: Do not use this pump for water, chemicals or herbicides. Dispensing any fluid other than those listed in this manual may damage the pump (see BEFORE YOU BEGIN: Fueling Compatibility Statement at front of the owner's manual). Use of the pump with unauthorized fluids will void the warranty.

Clean or Replace Check valve / Strainer

1. Turn the pump off and disconnect from power. Using 6mm hex wrench, remove the strainer access cover, O-ring, and check valve/strainer assembly and inspect for damage or clogs (see Figure 10). Clean the strainer with a soft-bristled brush and solvent. If the strainer is very dirty, compressed air may be used. If damaged, replace the check valve/strainer assembly.
2. Clean the strainer access cover and O-ring. Coat the O-ring lightly with grease. Reinstall the check valve/strainer, O-ring and strainer access cover. Ensure the O-ring is properly seated and tighten securely.

NOTE: Insert a flat tip screwdriver into the slot on the inside of the filter to pry it out of the cavity. (see Figure 10a)

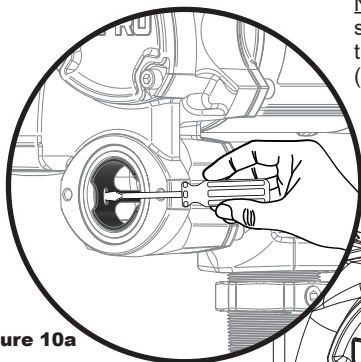


Figure 10a

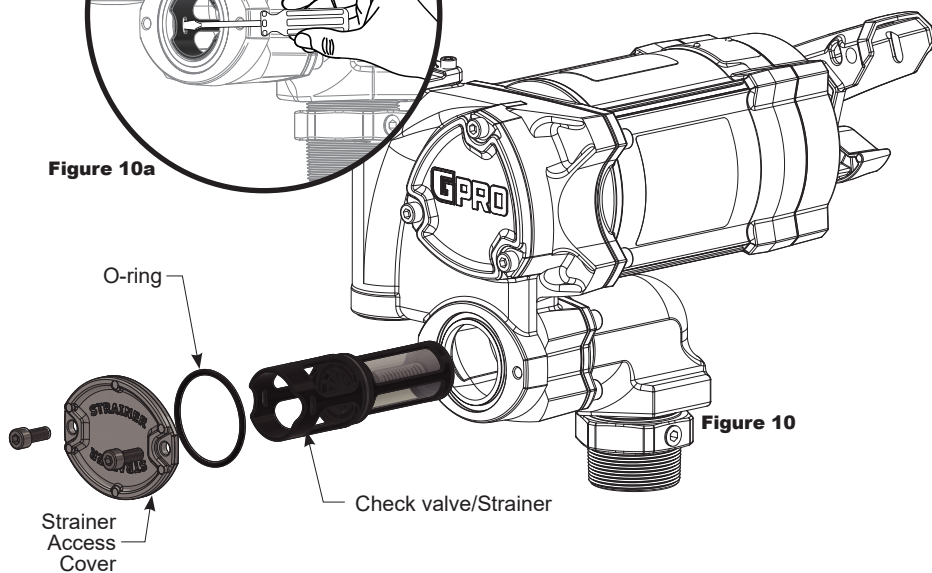


Figure 10

Repair

This motor has a replicable switch and capacitor; kits are available in the event of a failure. To replace these components, first turn off the pump and disconnect from power. Then, disassemble the nozzle hanger and junction cover as shown previously assembled from figures 4 and 5 on pg. 11 and 12. Follow the instructions provided with the kit to replace the failed component(s). Reassemble the cover and hanger and reconnect power. Before transferring fuel with the pump, verify that the motor does turn on and that the pump is properly running in bypass; if this is the case, the pump is ready for standard operation again.

For more information about replaceable pump components and troubleshooting, refer to the QR code on page 18.

Taking out of service and dismantling

To remove the pump, disconnect the power and reverse installation steps from page 14 to 10 in this manual.

MAINTENANCE/ MANTENIMIENTO/ ENTRETIEN

Scan the QR code below for more maintenance, troubleshooting, and repair resources.

EN

Escanee el código QR a continuación para obtener más recursos de mantenimiento, solución de problemas y reparación.

ES

Scannez le code QR ci-dessous pour accéder à des ressources supplémentaires sur la maintenance, le dépannage et la réparation.

FR**V20-115****V20-230**

ANTES DE COMENZAR

Declaración de Compatibilidad de Combustible

- Esta bomba de combustible está diseñada, probada y aprobada para su uso con mezclas de gasolina (hasta E15), mezclas de combustible diesel (hasta B20) y queroseno. Además, PO/PX está aprobado para su uso con gasolina de aviación (AVGAS 100LL) y Jet A. Por favor, tome todas las precauciones necesarias al manipular estos líquidos inflamables.
- No utilice esta bomba para dispensar ningún otro fluido que no sea para el cual fue diseñada. Hacerlo puede dañar los componentes de la bomba y anulará la garantía.

Atención: Las combinaciones de biodiésel aún no fueron evaluadas por ningún organismo regulador

Requisitos de la fuente de alimentación



- Los modelos de bomba que incluyen "115" deben conectarse a 115 V (CA). No intente conectar ninguna de estas bombas a una fuente de alimentación (CC). No intente conectar ninguna de estas bombas a una fuente de alimentación de 230 V (CA) sin reconfigurar el cableado en la caja de conexiones. (Vea la pág. 15).
- Los modelos de bomba que incluyen "230" deben conectarse a 230 V (CA). No intente conectar ninguna de estas bombas a una fuente de alimentación (CC). No intente conectar ninguna de estas bombas a una fuente de alimentación de 115 V (CA) sin reconfigurar el cableado en la caja de conexiones. (Vea la pág. 15).



Herramientas necesarias

Llave ajustable, llave para tubos, pinzas, cuchillo multiuso, pinza pelacables y llaves hexagonales métricas (llave hexagonal).

ÍNDICE



Modelo	Portaboquilla con Bloqueo	Acopladores y accesorios modulares	Manguera surtidora de 5.5 m (18 pies)	Boquilla
PO/PX	X	X	N/A	N/A
RD	N/A	X	N/A	N/A
MD	X	X	2.54 cm (1")	Manual para diésel
MU	X	X	1.90 cm (3/4")	Manual para gasolina sin plomo
AD	X	X	2.54 cm (1")	Automática para diésel
AU	X	X	1.90 cm (3/4")	Automática para gasolina sin plomo

DESEMBALAJE

Inspección por Daños Durante el Envío



- Después de desembalar la unidad, inspecciónela cuidadosamente en busca de cualquier daño que pueda haber ocurrido durante el transporte. Verifique si hay piezas sueltas, faltantes o dañadas. Las reclamaciones por daños durante el envío deben presentarse ante la empresa transportista. Revise las Instrucciones Generales de Seguridad y todas las declaraciones de precaución, advertencia y peligro que se muestran.

INSTRUCCIONES GENERALES DE SEGURIDAD

IMPORTANTE: Es su responsabilidad:

- Conozca y siga los códigos de seguridad nacionales, estatales y locales aplicables en cuanto a la instalación y operación de equipos eléctricos para uso con líquidos inflamables.
- Conozca y siga todas las precauciones de seguridad al manipular combustibles derivados del petróleo.
- Asegúrese de que todos los operadores de equipos tengan acceso a instrucciones adecuadas sobre procedimientos seguros de operación y mantenimiento.
- Observe todas las precauciones de seguridad en relación con la manipulación segura de los combustibles derivados del petróleo.

SÍMBOLOS



Descripción de peligro inminente y la falta de evitación del peligro resultará en muerte.

Descripción de peligro y las posibles lesiones o muerte resultantes.

Description of hazard and possible resulting injuries.

Este símbolo indica una advertencia general para el usuario.

Consulte las advertencias específicas adicionales.

Este símbolo indica un riesgo de descarga eléctrica. Siga las instrucciones de instalación y mantenimiento adecuadas en este manual.

Este símbolo indica una superficie caliente. Tenga cuidado de evitar el contacto con la superficie caliente.

Este símbolo indica el reinicio automático. La bomba contiene protección térmica que apaga automáticamente el motor antes de sobrecalentarse. La bomba se volverá a encender automáticamente después de enfriarse si el interruptor no está en la posición de apagado. Apague el interruptor y espere 30 minutos para reanudar el bombeo normal. Desconecte la alimentación antes de cualquier inspección o servicio.

El manual del propietario debe leerse antes de usar, inspeccionar o dar servicio a este producto.

Desconecte la alimentación cuando el producto no esté supervisado o en caso de un mal funcionamiento. Desconecte la alimentación antes de cualquier inspección, servicio o mantenimiento.

Para evitar lesiones físicas o daños materiales, observe precauciones contra incendios o explosiones al dispensar combustible. No opere el sistema en presencia de fuentes de ignición como, pero no limitado a: llamas abiertas, cigarrillos encendidos, motores en marcha o calientes, calentadores de gas o eléctricos.



INSTRUCCIONES GENERALES DE SEGURIDAD (CONTINUACIÓN)

ADVERTENCIAS DE SEGURIDAD

▲ PELIGRO

Para evitar lesiones físicas o daños a la propiedad, observe precauciones contra incendios o explosiones al dispensar combustible. No opere el sistema en presencia de ninguna fuente de ignición, incluyendo motores en marcha o calientes, productos de tabaco encendidos, calentadores de gas o eléctricos, o cualquier tipo de dispositivo electrónico. Una chispa puede encender los vapores del combustible.

▲ PELIGRO

Observe precauciones contra el choque eléctrico al operar el sistema. Un choque eléctrico grave o mortal puede resultar de la operación de equipo eléctrico en lugares húmedos o mojados.

▲ PELIGRO

Observe precauciones contra el choque eléctrico al dar servicio a la bomba. Siempre desconecte la alimentación antes de reparar o dar servicio. Nunca aplique energía eléctrica al sistema cuando se hayan quitado cualquiera de las placas de cubierta.

▲ ADVERTENCIA

Para garantizar una operación segura, todos los sistemas de transferencia de combustible deben estar correctamente puestos a tierra. La puesta a tierra adecuada significa un contacto continuo de metal a metal desde un componente hasta el siguiente, incluyendo el tanque, la montura del tanque, la bomba, el medidor, el filtro, la manguera y la boquilla. Se debe tener cuidado para garantizar una puesta a tierra adecuada durante la instalación inicial y después de cualquier procedimiento de servicio o reparación. Para su seguridad, tome un momento para revisar las advertencias a continuación.

▲ ADVERTENCIA

Inspeccione regularmente el cableado externo de la bomba para asegurarse de que esté correctamente conectado a la batería. Para evitar choques eléctricos, tenga especial cuidado al conectar la bomba a la corriente eléctrica.

▲ ADVERTENCIA

Evite el contacto prolongado de la piel con los combustibles derivados del petróleo. Use gafas de protección, guantes y delantales en caso de salpicaduras o derrames. Cambie la ropa saturada y lave la piel de inmediato con agua y jabón.

▲ ADVERTENCIA

Asegure firmemente todas las conexiones en contacto con los líquidos con el uso adecuado de anillos O, sellador de tuberías y cinta de rosca. Las fugas de combustible pueden generar el riesgo de incendio y explosión.

▲ ADVERTENCIA

Los modelos de bombas que pueden ser utilizados en el suministro de combustible para aviación (modelos PO/PX) NO vienen suministrados con la manguera, boquilla y tubo de succión adecuados. Estos elementos deben cumplir con las directrices de la NFPA 407.

Solo para repostaje en tierra. No usar dentro o en el avión. Para uso con gasolina de aviación (AVGAS 100LL) y Jet A. El usuario debe consultar la norma NFPA 407 para el suministro de combustible para aeronaves para conocer los requisitos de seguridad durante el repostaje en tierra de aeronaves que utilizan combustibles líquidos derivados del petróleo. Este producto no tiene cumplimiento real o implícito con esta norma.

▲ ADVERTENCIA

Esta bomba está equipada con un dispositivo auxiliar interno de límite de temperatura que apaga automáticamente el motor antes de sobrecalentarse. La bomba se volverá a encender automáticamente después de enfriarse si el interruptor no está en la posición de apagado. Apague el interruptor y espere 30 minutos para reanudar la operación normal.

▲ ATENCIÓN

Si se utiliza solvente para limpiar los componentes de la bomba o el tanque, observe las recomendaciones del fabricante del solvente para el uso y disposición seguros.

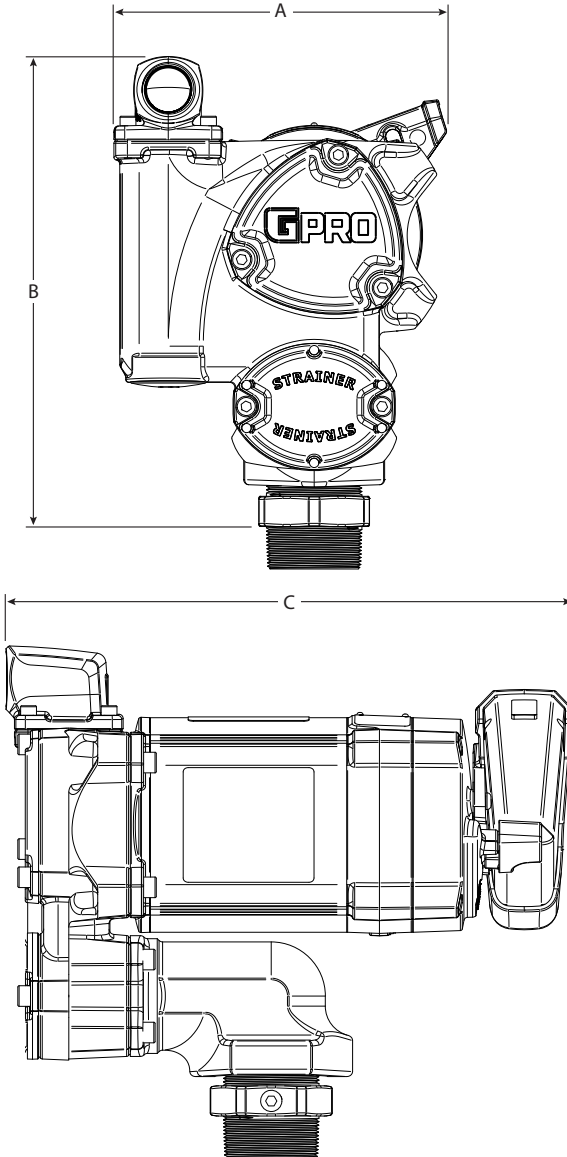
ESPECIFICACIONES

	PX	PO	RD	MD	AD	MU	AU	
Material de la carcasa	Hierro fundido							
Velocidad de bombeo*	76 l/min (20 GPM)							
Ciclo de trabajo	Intermitente, 30 minutos encendido, 30 minutos apagado							
Altura de aspiración*	Hasta 4.50 m (15 pies)							
Temperatura de funcionamiento	De -29 °C a 52 °C (de -20 °F a 125 °F)							
Temperatura de funcionamiento de la XTS	Las bombas de la serie para temperatura extrema pueden funcionar hasta -40 °C (-40 °F). Cualquier funcionamiento de la bomba por debajo de -29 °C (-20 °F) no fue evaluado por ningún organismo regulador.							
Temperatura máx. de superficie	160 °C (320 °F)							
Presión de funcionamiento	Hasta 1.72 bar (25 PSI)							
Entrada*	115 VAC, 60 Hz 230 VAC, 50/60 Hz							
Consumo de corriente*	115 VAC, 60 Hz, 5.5 A 230 VAC, 60 Hz, 2.8 A							
Motor*	1690 RPM, 1/2 hp							
Aprobación de la bomba entera	UL 79							
Aprobación del motor	Certificación cULus clase I, div. 1, IECEx/ATEX zona 1	Certificación cULus, clase I, div. 1 únicamente						
Protección del motor	Disyuntor térmico (reposición automática)							
Adaptador del depósito	BSPT de 5.08 cm (2")	NPT de 5.08 cm (2")						
Entrada	BSPP de 2.54 cm (1")	NPT de 2.54 cm (1")						
Salida	BSPP de 2.54 cm (1")	NPT de 2.54 cm (1")						
Tipo de manguera	N/A		Manguera de descarga conductora de electricidad de Buna-N con cable estático					
Tamaño de la manguera	N/A		2.54 cm (1") x 5.5 m (18 pies)		1.90 cm (3/4") x 5.5 m (18 pies)			
Boquilla	N/A		Manual para diésel de 2.54 cm (1")	Automática para diésel de 2.54 cm (1")	Manual para gasolina sin plomo de 1.90 cm (3/4")	Automática para gasolina sin plomo de 1.90 cm (3/4")		

NOTA: La tensión de alimentación de 50 Hz producirá una velocidad de bombeo de 61 l/min, una altura de aspiración de 3.9 m, un consumo de corriente de 4.3 A, un rendimiento del motor de 1395 RPM y 4/10 HP.

ESPECIFICACIONES (CONTINUACIÓN)**DIMENSIONES**

A. Ancho del conjunto de bomba	20.98 cm (8.26")
B. Altura del conjunto de bomba	29.67 cm (11.68")
C. Altura del conjunto de bomba	35.76 cm (14.08")

**Figura 1**

ESPECIFICACIONES (CONTINUACIÓN)**APROBACIONES DE LAS PRUEBAS DE SEGURIDAD**

Se ha comprobado que el V20 cumple las normas emitidas por Underwriters Laboratories (UL). La bomba utiliza un motor IM050 (o IM050X para los modelos de bomba PX) cuyo cumplimiento de las normas del UL se ha comprobado. Además de las del UL, el IM050X cumple con las normas IECEx y ATEX.

V20

Norma UL 79 (décima edición) de bombas eléctricas para productos del petróleo.

**IM050 and IM050X**

UL 674 (edición 5): Motores y generadores eléctricos para usar en lugares peligrosos (clasificados).

**IM050X****Información de IEC**

Cadena de marcado:

Ex db IIA T4 Gb
IECEx UL 23.0055X

Normas utilizadas:

IEC 60079-0 (edición 7.0): Atmósferas explosivas – Parte 0: Equipo – Requisitos generales.

IEC 60079-1 (Edición 7.0): Atmósferas explosivas – Parte 1: Protección del equipo por envolventes antideflagrantes "d".

Condiciones de uso específicas de IECEx:

1. Las juntas antideflagrantes no están diseñadas para repararse.
2. Los sujetadores especiales utilizados como pernos de seguridad para la campana de extremo están hechos de sujetadores del tipo clase 12.9. Los sujetadores especiales utilizados para la fijación de la placa protectora eléctrica están hechos de sujetadores del tipo clase 12.9.

Información de ATEX

Cadena de marcado:

CE **2809** **Ex** **II 2 G Ex db IIA T4 Gb**
UL 23 ATEX 3049X

Normas utilizadas:

EN IEC 60079-0: 2018

EN 60079-1: 2014

Condiciones de uso específicas de ATEX:

1. Las juntas antideflagrantes no están diseñadas para repararse.
2. Los sujetadores especiales utilizados como pernos de seguridad para la campana de extremo están hechos de sujetadores del tipo clase 12.9. Los sujetadores especiales utilizados para la fijación de la placa protectora eléctrica están hechos de sujetadores del tipo clase 12.9.

INSTRUCCIONES DE INSTALACIÓN

⚠ ADVERTENCIA *Las placas de cubierta protegen al operador de las piezas móviles. Nunca opere la bomba sin las placas de cubierta colocadas. Nunca aplique energía eléctrica a la bomba sin las placas de cubierta colocadas. Siempre desconecte la alimentación antes de reparar o dar servicio.*

Conexiones mecánicas

NOTA: Todas las conexiones roscadas de combustible deben sellarse con cinta de rosado o un compuesto obturador de roscas de tubos aprobado para su uso con combustibles derivados del petróleo y ajustarse firmemente con el fin de evitar fugas.

NOTA: Esta bomba debe montarse en un depósito ventilado.

NOTA: Esta bomba está diseñada para montarse directamente en un adaptador de 5,08 cm (2") macho estándar para el montaje del depósito de la bomba (incluido).

Instalación del adaptador del depósito y del tubo de aspiración

NOTA: Para la instalación del depósito de aluminio: con el fin de evitar el gripado de las roscas de los acopladores de aluminio, prepare siempre las roscas para el montaje con un compuesto antiagarrotamiento, como Loctite® 567™, Hernon® Dripstop® 940 o equivalentes.

1. Lave el interior del depósito para quitar toda la suciedad y el material extraño.
2. Para el tubo de aspiración, se puede utilizar un tubo de acero de 2.54 cm (1") cortado a medida y roscado en un extremo. El tubo de aspiración debe extenderse hasta 7.62 cm (3") del fondo del depósito.
3. Envuelva el extremo roscado del tubo de aspiración con 3 o 4 vueltas de cinta de rosado (vea la figura 2). Enrosque el tubo de aspiración en la parte inferior del adaptador y fjelo a mano hasta que quede ajustado.
4. Envuelva el extremo roscado superior del adaptador del depósito con 3 o 4 vueltas de cinta de rosado e inserte el tubo de aspiración/adaptador del depósito en la abertura roscada del depósito (vea la figura 3). Con una llave, ajuste bien el adaptador en el depósito de combustible.

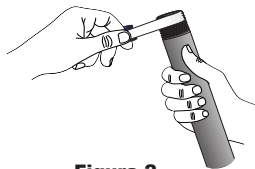


Figura 2

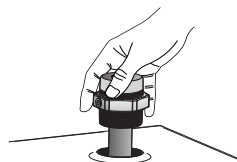


Figura 3

Instalación de la bomba en el depósito

Con unas pinzas, retire el tapón de plástico del puerto de entrada en la parte inferior de la bomba y, luego, con una llave, ajuste la bomba al adaptador.

Instalación de la tapa de la boquilla

NOTA: NO instale la tapa de la boquilla hasta que se complete el cableado.

NOTA: Las versiones de la bomba dispensadora remota (RD) no incluyen ninguna tapa de la boquilla. Se puede instalar un soporte en su lugar para mantener el interruptor permanentemente en la posición de encendido, de modo que la bomba se pueda encender/apagar en un lugar de dispensado remoto (vea la página 12).

Con una llave hexagonal de 4 mm, instale la tapa de la boquilla con (2) tornillos Allen de cabeza redonda (BHCS) M6-1.0 x 14 mm en el orificio inferior (vea la figura 4).

INSTRUCCIONES DE INSTALACIÓN (CONTINUACIÓN)

Instalación del adaptador de salida

1. Retire el tapón de plástico del puerto de salida de la bomba.
2. Instale la junta tórica n.º 222 en el puerto de salida. Asegúrese de que esté bien colocada.
3. Con una llave hexagonal de 5 mm, instale los (4) tornillos Allen de cabeza hueca (SHCS) M6-1.0 x 20 mm en el adaptador de salida, en la dirección deseada, en el puerto de salida (vea la figura 4).

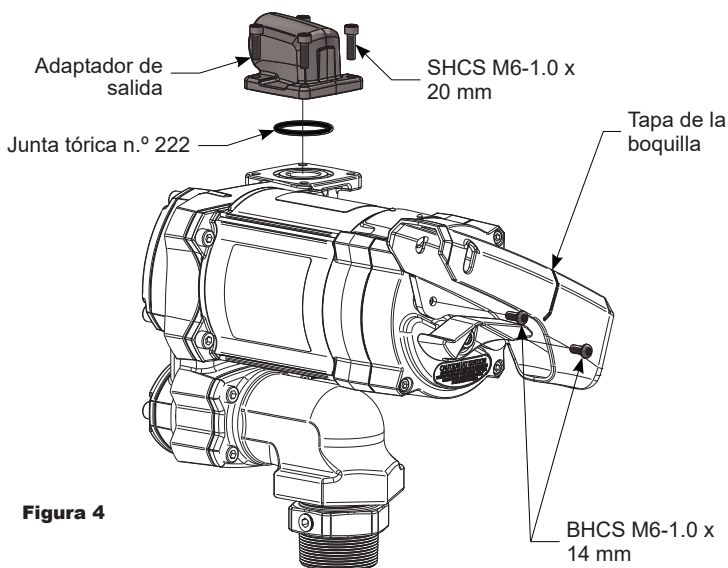


Figura 4

Instalación de la manguera y la boquilla

1. Envuelva un extremo de la manguera surtidora con tres o cuatro vueltas de cinta de roscado y enróllela en el puerto de salida. Apriete firmemente con una llave ajustable.
2. Envuelva el extremo opuesto de la manguera surtidora con tres o cuatro vueltas de cinta de roscado y enróllela en la boquilla. Apriete firmemente con una llave ajustable.
3. Coloque la boquilla en el portaboquilla situado en el extremo de la carcasa del motor de la bomba. Tenga en cuenta que la boquilla no se puede colocar en el portaboquilla, a menos que el interruptor de la bomba esté apagado (vea la figura 8 y 9).

⚠ PELIGRO Si la bomba debe instalarse en una ubicación peligrosa (clasificada), debe ser instalada por un electricista con licencia y cumplir con todos los códigos nacionales, estatales y locales, incluyendo, pero no limitándose a; NEC/CSA 22.1/ANSI/IEC/NFPA 70, 30 y 30A. Usted, como propietario, es responsable de asegurarse de que la instalación y operación de su bomba cumpla con todos los códigos aplicables. Deben utilizarse conductos rígidos para instalar el cableado. Tenga en cuenta que los cables de alimentación están sellados de fábrica, aislando el motor de la caja de conexiones. No seguir estas instrucciones de cableado puede resultar en la muerte o lesiones graves por descarga eléctrica, incendio o explosión.

INSTRUCCIONES DE INSTALACIÓN (CONTINUACIÓN)

Para la Zona 1 o 2 (IECEX/ATEX)

Utilice un prensacables Ex db adecuado en instalaciones de la Zona 1 o 2. El cable de alimentación (no suministrado) debe cumplir con la cláusula n.º 10.6.2 de la norma IEC 60079-14. Los conductores utilizados para la tensión de línea deben tener un aislamiento de 105 °C o superior.

Soporte de bloqueo del interruptor y dispensador remoto

Atención: Las bombas RD solo se deben utilizar con los dispositivos de equipos/control con certificación UL. El equipo utilizado debe ser adecuado para la clasificación del área en el que se instale. La bomba RD incorpora un bloqueo de palanca del interruptor externo que mantiene al interruptor de la bomba en la posición de encendido. La bomba se apaga normalmente utilizando un mecanismo de encendido/apagado del dispositivo dispensador remoto.

Conexiones eléctricas

El cableado y las conexiones eléctricas debe realizarlos únicamente un electricista autorizado de acuerdo con los códigos eléctricos nacionales, estatales y locales relativos a las ubicaciones de clase I, división 1 y grupo D. Esto incluye, entre otros, el Código 70 de la Asociación Nacional de Protección contra Incendios (NFPA), artículo 501.15(A)(1). Pueden aplicarse otros códigos.

La rosca para la conexión del conducto en la caja de conexiones de la bomba es una FNPT de 1,27 cm (1/2").

Se recomienda un disyuntor de 15 o 20 amperios.

Datos del cableado

1. Retire la placa protectora eléctrica (vea la figura 5). Instale el conducto y el cable desde la fuente de energía hasta la caja de conexiones de la bomba. El cableado debe cumplir con los requisitos de clase I, división 1 del código eléctrico nacional vigente. Tenga en cuenta que los cables conductores vienen sellados de fábrica para aislar el motor de la caja de conexiones.

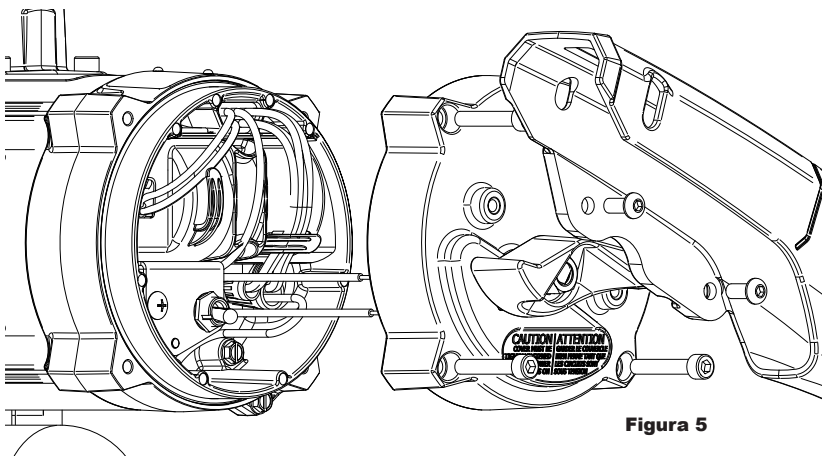


Figura 5

INSTRUCCIONES DE INSTALACIÓN (CONTINUACIÓN)

2. Conecte el cable a tierra utilizando el tornillo verde a tierra ubicado en el interior de la caja de conexiones (vea la figura 6). La conexión de puesta a tierra externa es solo complementaria si las autoridades locales permiten o exigen dicha conexión.

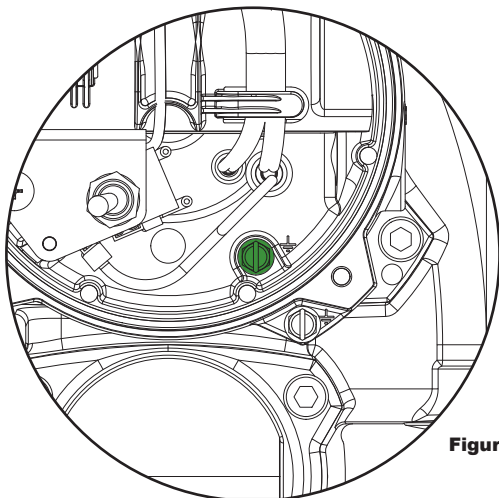


Figura 6

NOTA: Se puede utilizar un circuito de control de CA accesorio para accionar un dispositivo como una luz de señalización o una válvula accionada por solenoide. El cable de CA "activo" se debe conectar a la tuerca de cable grande dentro de la caja de conexiones (vea la figura 7), y el cable neutro se debe conectar con el neutro en el interruptor. El amperaje máximo del circuito de control se debe limitar a 1 amperio.

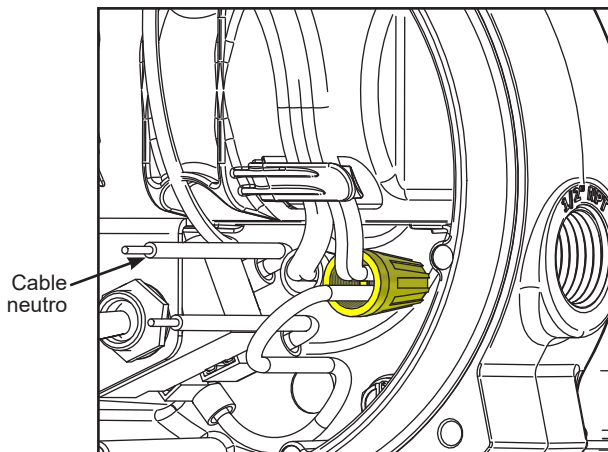
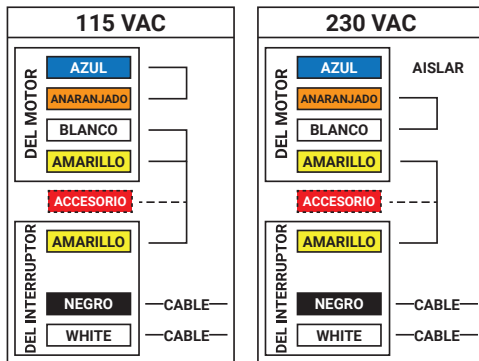


Figura 7

INSTRUCCIONES DE INSTALACIÓN (CONTINUACIÓN)

NOTA: El V20 es un motor de doble tensión que se puede convertir entre 115 VAC y 230 VAC si es necesario. Para que el motor funcione en la configuración de 115 V, acople los cables azul y naranja del motor con una tuerca de cable y, luego, acople los cables blanco y amarillo del motor junto con el cable amarillo del interruptor con otra tuerca de cable. Para que el motor funcione a 230 V, aisle el cable azul del motor con una tuerca de cable pequeña, acople los cables naranja y blanco del motor con una tuerca de cable y acople el cable amarillo del motor con el cable amarillo del interruptor con otra tuerca de cable. Consulte el diagrama de cableado.

NO PX DIAGRAMA DE CABLEADO

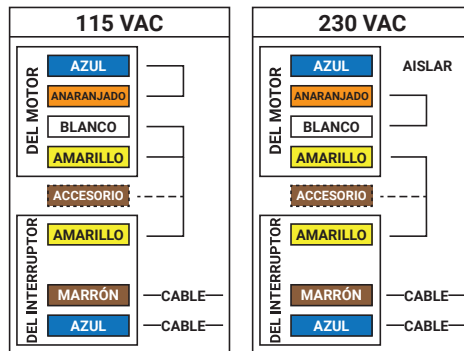


171902-01

Rev (-)

Figura 7a

PX DIAGRAMA DE CABLEADO



171902-02

Rev (-)

Figura 7b

- Haga coincidir la tensión, conecte el motor a las fases de fuente de energía. (Vea la figura 7a y 7b).
- Coloque los cables dentro de la caja de conexiones y vuelva a colocar la tapa eléctrica. Instale los cuatro (4) tornillos

OPERACIÓN

IMPORTANTE: Siempre siga las precauciones de seguridad al operar este equipo. Revise las instrucciones de seguridad.

⚠ PELIGRO *Para evitar lesiones físicas o daños a la propiedad, observe las precauciones contra incendios o explosiones al dispensar combustible. No opere el sistema en presencia de ninguna fuente de ignición, incluyendo motores en marcha o calientes, productos de tabaco encendidos, calentadores de gas o eléctricos o cualquier tipo de dispositivo electrónico. Una chispa puede encender los vapores del combustible.*

⚠ ATENCIÓN *Antes de cada uso, repare las fugas alrededor de sellos o conexiones. Asegúrese de que las mangueras estén en buenas condiciones y las conexiones estén apretadas. Si están dañadas, reemplace las mangueras antes de usarlas.*

NOTA: Asegúrese de que el área de trabajo esté seca.

⚠ ADVERTENCIA *Asegúrese de que la bomba esté correctamente conectada a tierra. Repare cualquier cableado corroído o dañado antes de usarlo.*

NOTA: Asegúrese de que el tanque contenga suficiente combustible.

IMPORTANTE: Asegúrese de que el combustible no esté contaminado con residuos. Apriete regularmente las tapas sueltas del tanque.

Surtido de combustible

Retire la boquilla del soporte e introdúzcala en el depósito receptor. Encienda la bomba empujando la palanca del interruptor hacia arriba. Apriete la manivela para iniciar el flujo de combustible. Cuando termine, suelte la manivela de la boquilla, apague la bomba y vuelva a colocar la boquilla en su soporte.

IMPORTANTE: Esta bomba está diseñada para autollenarse. Si no se suministra combustible en 15 a 20 segundos, apague la bomba y consulte la información de llenado en la Guía de solución de problemas. (Vea la pág. 18)

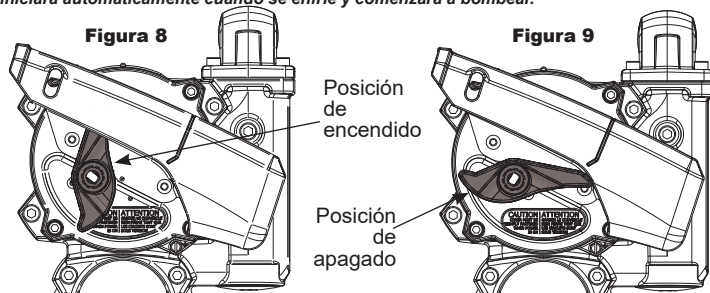
⚠ ATENCIÓN *Una válvula de derivación automática evita la acumulación de presión cuando la bomba está encendida con la boquilla cerrada. Para evitar daños a la bomba, no haga funcionar la bomba durante más de 10 minutos con la boquilla cerrada. Dejar la bomba encendida con la boquilla cerrada por más de 10 minutos puede dañar los componentes de la bomba y anulará la garantía.*

⚠ ATENCIÓN *Nunca deje la bomba funcionando sin líquido. El funcionamiento en seco puede dañar los componentes de la bomba y anulará la garantía.*

IMPORTANTE: Ceci est une pompe à usage intermittent, après avoir fait fonctionner la pompe pendant un maximum de 30 minutes, laissez-la refroidir pendant 30 minutes.

IMPORTANTE: El motor cuenta con un dispositivo interno de limitación de temperatura. Si el motor se calienta en exceso, el dispositivo se activará y solo se restablecerá después de que el motor se haya enfriado. Si el dispositivo se activa, apague el interruptor y deje que la bomba se enfríe durante 30 minutos. Encienda el interruptor nuevamente cuando esté listo para operar. Si el dispositivo se activa nuevamente antes de que termine el ciclo de trabajo, consulte la guía de solución de problemas.

⚠ ATENCIÓN *Siempre apague la bomba si el dispositivo limitador de temperatura se activa. Si se deja encendida, la bomba se reiniciará automáticamente cuando se enfríe y comenzará a bombear.*



MANTENIMIENTO

NOTA: Esta bomba está diseñada para requerir un mantenimiento mínimo. Los rodamientos del motor son auto-lubricantes. Inspecciona la bomba y sus componentes regularmente en busca de fugas de combustible y asegúrate de que la manguera y el cable eléctrico estén en buenas condiciones. Si están dañados, reemplázalos antes de usar la bomba. Mantén la parte exterior de la bomba limpia para ayudar a identificar las fugas.

IMPORTANTE: No utilice esta bomba para agua, productos químicos o herbicidas. La dispensación de cualquier líquido que no esté incluido en este manual puede dañar la bomba (consulte "ANTES DE COMENZAR: Declaración de compatibilidad de combustible" al frente del manual del propietario). El uso de la bomba con líquidos no autorizados anulará la garantía.

Limpieza o cambio de la válvula de retención o del filtro

1. Apague la bomba y desconéctela de la energía. Con una llave hexagonal de 6 mm, retire la tapa de acceso al filtro, la junta tórica y el conjunto de la válvula de retención o el filtro, y revise si hay daños o atascos (vea la figura 10). Limpie el filtro con un cepillo de cerdas suaves y solvente. Si está muy sucio, se puede utilizar aire comprimido. Si está dañado, cambie el conjunto de la válvula de retención o el filtro.
2. Limpie la tapa de acceso al filtro y la junta tórica. Engrase levemente la junta tórica. Vuelva a instalar la válvula de retención o el filtro, la junta tórica y la tapa de acceso al filtro. Asegúrese de que la junta tórica esté bien colocada y ajústela firmemente.

NOTA: Inserte un destornillador de punta gorda en la ranura del interior del filtro para hacer palanca y sacarlo de la cavidad. (Vea la figura 10a).

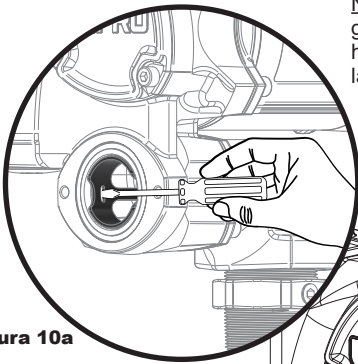
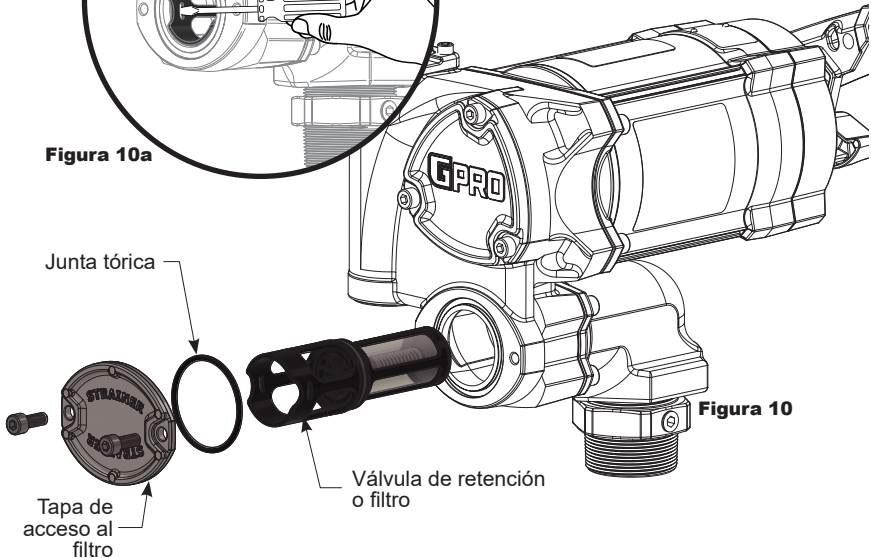


Figura 10a



Reparación

Este motor tiene un interruptor y un condensador replicables; hay kits disponibles en caso de avería. Para cambiar estos componentes, primero apague la bomba y desconéctela de la energía. Luego, desmonte el soporte de la boquilla y la tapa de conexiones como se mostraron anteriormente montados en las figuras 4 y 5 de las págs. 11 y 12. Siga las instrucciones proporcionadas en el kit para cambiar los componentes averiados. Vuelva a montar la tapa y el soporte, y conecte de nuevo la energía. Antes de transferir combustible con la bomba, verifique que el motor se encienda y que la bomba funcione correctamente en la derivación; si este es el caso, está lista para el funcionamiento estándar de nuevo.

Para obtener más información sobre los componentes reemplazables de la bomba y la solución de problemas, consulte el código QR en la página 18.

Retirada del servicio y desmontaje

Para desmontar la bomba, desconecte la energía e invierta los pasos de instalación de la página 14 a la 10 de este manual.

AVANT DE COMMENCER

Déclaration de Compatibilité de Carburant

- Cette pompe à carburant est conçue, testée et approuvée pour une utilisation avec des mélanges d'essence (jusqu'à E15), des mélanges de carburant diesel (jusqu'à B20) et du kérosène. De plus, PO/PX est approuvé pour une utilisation avec de l'essence d'aviation (AVGAS 100LL) et du Jet A. Veuillez prendre toutes les précautions nécessaires lors de la manipulation de ces liquides inflammables.
- N'utilisez pas cette pompe pour distribuer des liquides autres que ceux pour lesquels elle a été conçue. Le faire pourrait endommager les composants de la pompe et annuler la garantie.

Attention: Pour l'instant, les mélanges de biodiesel n'ont été évalués par aucun organisme de réglementation

Exigences en matière de source d'alimentation



- Les modèles de pompe indiquant « 115 » doivent être branchés à une source d'alimentation de 115 V (CA); ne tentez pas de brancher l'une de ces pompes à une source d'alimentation (CC). Ne tentez pas de brancher l'une de ces pompes à une source d'alimentation de 230 V (CA) sans reconfigurer le câblage dans la boîte de jonction (voir page 15).
- Les modèles de pompe indiquant « 230 » doivent être branchés à une source d'alimentation de 230 V (CA); ne tentez pas de brancher l'une de ces pompes à une source d'alimentation (CC). Ne tentez pas de brancher l'une de ces pompes à une source d'alimentation de 115 V (CA) sans reconfigurer le câblage dans la boîte de jonction (voir page 15).

Outils nécessaires

- Clé réglable, clé serre-tubes, pinces, couteau tout usage, pince à sertir/à dénuder et clés hexagonales métriques.

CONTENU



Modèle	Porte-injecteur verrouillable	Quincaillerie et raccords modulaires	Tuyau flexible de distribution de 18 pi	Injecteur
PO/PX	X	X	S.O.	S.O.
RD	S.O.	X	S.O.	S.O.
MD	X	X	1 po	Diesel manuel
MU	X	X	3/4 po	Sans plomb manuel
AD	X	X	1 po	Diesel automatique
AU	X	X	3/4 po	Sans plomb automatique

DÉBALLAGE

Vérification des Dommages Liés à L'expédition



- Après avoir déballé l'unité, inspectez-la soigneusement pour détecter tout dommage qui aurait pu survenir pendant le transport. Vérifiez s'il y a des pièces manquantes, desserrées ou endommagées. Les réclamations pour dommages liés à l'expédition doivent être déposées auprès du transporteur. Veuillez également passer en revue les instructions générales de sécurité ainsi que tous les avertissements et mises en garde indiqués.

INSTRUCTIONS DE SÉCURITÉ GÉNÉRALES

IMPORTANT: Il est de votre responsabilité de :

- Connaître et respecter les codes de sécurité nationaux, étatiques et locaux applicables à l'installation et au fonctionnement d'équipements électriques destinés à être utilisés avec des liquides inflammables.
- Connaître et respecter toutes les précautions de sécurité lors de la manipulation de carburants pétroliers.
- Veiller à ce que tous les opérateurs d'équipements aient accès à des instructions adéquates sur les procédures de fonctionnement et d'entretien en toute sécurité.
- Observer toutes les précautions de sécurité relatives à la manipulation sécuritaire des carburants pétroliers.

SYMBOLES

DANGER

La description d'un danger imminent et la non-observance des mesures de précaution entraîneront la mort.

AVERTISSEMENT

La description d'un danger potentiel et des blessures ou de la mort qui peuvent en résulter.

ATTENTION

La description d'un danger potentiel et des blessures qui peuvent en résulter.



Ce symbole indique une mise en garde générale à l'utilisateur. Voir d'autres mises en garde spécifiques.



Ce symbole indique un risque de choc électrique. Suivez les instructions d'installation et de maintenance appropriées dans ce manuel.



Ce symbole indique une surface chaude. Faites attention à éviter tout contact avec la surface chaude.



Ce symbole indique un redémarrage automatique. La pompe contient une protection thermique qui arrête automatiquement le moteur avant la surchauffe. La pompe redémarrera automatiquement après le refroidissement. Éteignez l'interrupteur et attendez 30 minutes pour reprendre le pompage normal. Déconnectez l'alimentation avant toute inspection ou service.



Le manuel d'utilisation doit être lu avant d'utiliser, d'inspecter ou de réparer ce produit.



Déconnectez l'alimentation électrique lorsque le produit n'est pas surveillé ou en cas de dysfonctionnement. Déconnectez l'alimentation électrique avant toute inspection, réparation ou maintenance.



Pour éviter les blessures physiques ou les dommages matériels, observez les précautions contre le feu ou l'explosion lors de la distribution de carburant. Ne faites pas fonctionner le système en présence de sources d'ignition telles que, mais sans s'y limiter: les flammes nues, les cigarettes allumées, les moteurs en marche ou chauds, les chauffages à gaz ou électriques.



INSTRUCTIONS DE SÉCURITÉ GÉNÉRALES (SUITE)

AVERTISSEMENTS DE SÉCURITÉ

▲ DANGER

Pour prévenir les blessures physiques ou les dommages matériels, prenez des précautions contre l'incendie ou l'explosion lors du remplissage en carburant. Ne pas faire fonctionner le système en présence de toute source d'inflammation, y compris des moteurs en marche ou chauds, des produits du tabac allumés, des radiateurs à gaz ou électriques ou tout type de dispositif électronique. Une étincelle peut enflammer les vapeurs de carburant.

▲ DANGER

Prenez des précautions contre les chocs électriques lors de l'utilisation du système. Des chocs électriques graves ou mortels peuvent résulter de l'utilisation d'équipements électriques dans des endroits humides ou mouillés.

▲ DANGER

Prenez des précautions contre les chocs électriques lors de l'entretien de la pompe. Déconnectez toujours l'alimentation avant de réparer ou d'entretenir. Ne jamais appliquer de courant électrique sur le système lorsque l'une des plaques de couverture est retirée.

▲ AVERTISSEMENT

Pour assurer un fonctionnement sûr, tous les systèmes de transfert de carburant doivent être correctement mis à la terre. La mise à la terre appropriée signifie un contact métal-à-métal continu d'un composant à l'autre, y compris la cuve, le support de cuve, la pompe, le compteur, le filtre, le tuyau et le pistolet de distribution. Il convient de prendre des précautions pour assurer une mise à la terre appropriée lors de l'installation initiale et après toute procédure de service ou de réparation. Pour votre sécurité, veuillez prendre un moment pour passer en revue les avertissements ci-dessous.

▲ AVERTISSEMENT

Inspectez régulièrement le câblage externe de la pompe pour vous assurer qu'il est correctement attaché à la batterie. Pour éviter les chocs électriques, soyez très prudent lors de la connexion de la pompe à l'alimentation.

▲ AVERTISSEMENT

Évitez un contact prolongé de la peau avec les carburants pétroliers. Utilisez des lunettes de protection, des gants et des tabliers en cas d'éclaboussures ou de déversements. Changez de vêtements saturés et lavez immédiatement la peau avec du savon et de l'eau.

▲ AVERTISSEMENT

Fixez solidement toutes les connexions en contact avec les liquides en utilisant correctement des joints toriques, du mastic pour tuyaux et du ruban adhésif pour filetages. Les fuites de carburant peuvent créer un risque d'incendie et d'explosion.

▲ AVERTISSEMENT

Les modèles de pompe qui peuvent être utilisés pour le ravitaillement en carburant d'aviation (modèles PO/PX) NE sont PAS équipés du tuyau, du pistolet et du tube d'aspiration appropriés. Ces articles doivent répondre aux directives de la norme NFPA 407.

Pour le ravitaillement terrestre uniquement. Ne pas utiliser dans ou sur l'aéronef. Pour utilisation avec de l'essence aviation (AVGAS 100LL) et du Jet A. L'utilisateur doit se référer à la norme NFPA 407 pour les exigences de sécurité lors du ravitaillement terrestre d'aéronefs utilisant des carburants liquides à base de pétrole. Ce produit n'a aucune conformité explicite ou implicite avec cette norme.

▲ AVERTISSEMENT

Cette pompe est équipée d'un dispositif interne auxiliaire de limitation de température qui arrête automatiquement le moteur avant la surchauffe. La pompe se rallumera automatiquement après le refroidissement si le commutateur n'est pas en position arrêt. Mettez le commutateur sur OFF et attendez 30 minutes pour reprendre le fonctionnement normal.

▲ ATTENTION

Si vous utilisez un solvant pour nettoyer les composants de la pompe ou le réservoir, respectez les recommandations du fabricant du solvant en matière d'utilisation et d'élimination en toute sécurité.

CARACTÉRISTIQUES TECHNIQUES

	PX	PO	RD	MD	AD	MU	AU
Matériau du boîtier	Fonte						
	20 GPM (76 L/min)						
Débit de la pompe*	Intermittent, 30 minutes MARCHÉ (ON), 30 minutes ARRÊT (OFF)						
Cycle opératoire	Jusqu'à 4,5 m (15 pi)						
Hauteur d'aspiration*	-29 °C à + 52 °C (-20 °F à + 125 °F)						
Température de fonctionnement	Les pompes de la série Température extrême sont capables de fonctionner à des températures de -40 °C (-40 °F). Toute pompe fonctionnant à une température inférieure à -29 °C (-20 °F) n'a pas fait l'objet d'une évaluation par un organisme de réglementation.						
Température de fonctionnement STE	160 °C (320 °F)						
Température maximale de surface	Jusqu'à 25 PSI (1,72 bar)						
Pression de fonctionnement	115 V CA 60 Hz 230 V CA 50/60 Hz						
Entrée*	115 V CA 60 Hz 5,5 A 230 V CA 60 Hz 2,8 A						
Appel de courant*	1690 tr/min, 1/2 hp						
Moteur*	UL 79						
Approbation pompe globale	Certification cULus, Classe I Div 1 IECEx/ATEX Zone 1						
Approbation moteur	Certification cULus, Classe I Div 1 Uniquement						
Protection moteur	Disjoncteur thermique (réinitialisation automatique)						
Adaptateur réservoir	BSPT 2 po			NPT 2 po			
Entrée	BSPP 1 po			NPT 1 po			
Sortie	BSPP 1 po			NPT 1 po			
Type de tuyau	S.O.			Tuyau de refoulement électroconducteur Buna-N avec fil métallique statique			
Taille de tuyau	S.O.			1 po x 18 pi (5,5 m)		3/4 po x 18 pi	
Injecteur	S.O.			1 po Diesel manuel	1 po Diesel auto	3/4 po Sans plomb manuel	3/4 po Sans plomb auto

* REMARQUE: Une tension d'alimentation de 50 Hz produira un débit de pompe de 61 l/min, une hauteur d'aspiration de 3,9 m, un appel de courant de 4,3 A, une vitesse de moteur de 1 395 tr/min et 4/10 HP.

CARACTÉRISTIQUES TECHNIQUES (SUITE)**DIMENSIONS**

A. Largeur de l'ensemble de la pompe	20,98 cm (8,26 po)
B. Hauteur de l'ensemble de la pompe	29,67 cm (11,68 po)
C. Profondeur de l'ensemble de la pompe	35,76 cm (14,08 po)

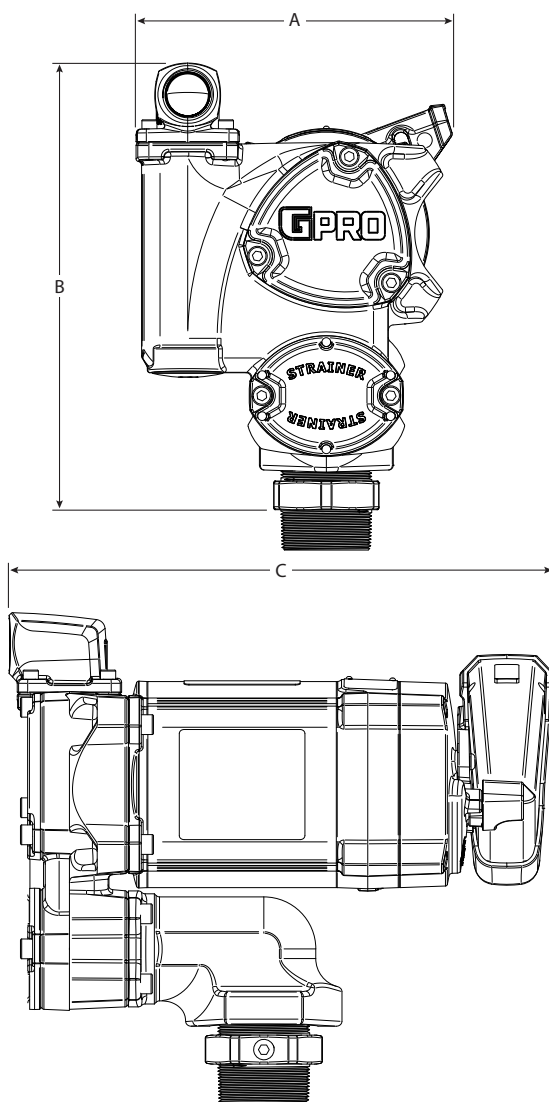


Figure 1

CARACTÉRISTIQUES TECHNIQUES (SUITE)**APPROBATIONS DE TESTS DE SÉCURITÉ**

Le modèle V20 a fait l'objet de test de conformité aux normes établies par Underwriters Laboratories. La pompe est équipée d'un moteur IM050 (ou IM050X pour les modèles de pompe PX) qui a fait l'objet de test de conformité aux normes établies par Underwriters Laboratories. En plus de la norme établie par UL, le modèle IM050X est conforme aux normes IECEx et ATEX.

V20

Norme UL 79 (10e édition) pour les pompes motorisées équipant les systèmes de distribution de produits pétroliers.

IM050 et IM050X

UL 674 (édition 5) : moteurs et générateurs électriques à utiliser dans des environnements dangereux (classés).

**IM050X****Informations IEC**

Série de marquage: **Ex db IIA T4 Gb**
IECEx UL 23.0055X

Normes utilisées :

IEC 60079-0 (édition 7.0) : Atmosphères explosives - Partie 0 : matériel - Exigences générales.

IEC 60079-1 (édition 7.0) : Atmosphères explosives - Partie 1 : protection du matériel par enveloppes antidéflagrantes « d ».

Conditions spécifiques d'utilisation IECEx:

1. Les joints antidéflagrants ne sont pas destinés à être réparés.
2. Les attaches spéciales utilisées comme boulons de fixation pour la cloche d'extrémité sont composées de fixations de catégorie 12.9. Les attaches spéciales utilisées pour fixer le couvercle électrique sont composées de fixations de catégorie 12.9.

Informations ATEX

Série de marquage: **CE 2809**

Normes utilisées:

Ex II 2 G Ex db IIA T4 Gb
UL 23 ATEX 3049X

EN IEC 60079-0: 2018

EN 60079-1: 2014

Conditions spécifiques d'utilisation ATEX:

1. Les joints antidéflagrants ne sont pas destinés à être réparés.
2. Les attaches spéciales utilisées comme boulons de fixation pour la cloche d'extrémité sont composées de fixations de catégorie 12.9. Les attaches spéciales utilisées pour fixer le couvercle électrique sont composées de fixations de catégorie 12.9.

INSTRUCTIONS D'INSTALLATION



AVERTISSEMENT Les plaques de couverture protègent l'opérateur des pièces en mouvement. Ne jamais faire fonctionner la pompe sans les plaques de couverture en place. Ne jamais appliquer de puissance électrique à la pompe sans les plaques de couverture en place. Toujours déconnecter l'alimentation avant de réparer ou d'entretenir.

Raccords mécaniques

REMARQUE: Tous les raccords filetés de carburant doivent être scellés à l'aide de ruban de filetage ou d'un composé d'étanchéité pour filetage de tuyau homologué pour une utilisation avec des combustibles pétroliers et fixé solidement pour éviter toute fuite.

REMARQUE: Cette pompe doit être montée sur un réservoir aéré.

REMARQUE: Cette pompe est conçue pour être directement montée sur un adaptateur mâle de 2 po de réservoir de pompe (inclus).

Installation de l'adaptateur réservoir et du tuyau d'aspiration

REMARQUE: Pour une installation sur un réservoir en aluminium - Pour éviter tout grippage des raccords en aluminium, préparez toujours les filetages pour l'assemblage à l'aide d'un composé antigrippant tel que LoctiteMD 567MC, HeronMD DriptestMD 940 ou tout autre produit équivalent.

1. Nettoyez l'intérieur du réservoir pour éliminer toute poussière et tout corps étranger.
2. Pour le tuyau d'aspiration, il est possible d'utiliser un tuyau en acier de 1 po coupé à la longueur appropriée et doté d'une extrémité filetée. La distance séparant l'extrémité du tuyau d'aspiration du fond du réservoir ne doit pas excéder 3 po.
3. Enveloppez l'extrémité filetée du tuyau d'aspiration de trois ou quatre tours de ruban de filetage (voir figure 2). Vissez le tuyau d'aspiration dans la partie inférieure de l'adaptateur et serrez-le à la main.
4. Enveloppez l'extrémité filetée supérieure de l'adaptateur réservoir dans trois ou quatre tours de ruban de filetage et insérez le tuyau d'aspiration/l'adaptateur réservoir dans l'ouverture filetée du réservoir (voir figure 3). À l'aide d'une clé, serrez l'adaptateur dans le réservoir de carburant.

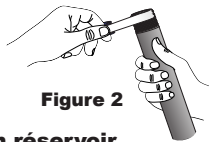


Figure 2



Figure 3

Installation de la pompe sur un réservoir

À l'aide de pinces, retirez le bouchon en plastique du port d'entrée situé sur la partie inférieure de la pompe, puis utilisez une clé pour serrer la pompe sur l'adaptateur.

Installation du couvercle de l'injecteur

REMARQUE: NE PAS installer le couvercle de l'injecteur tant que le câblage n'est pas terminé.

REMARQUE: Les versions RD ne sont pas équipées de couvercle d'injecteur. Il est possible d'installer un support à la place pour maintenir en permanence l'interrupteur en position « MARCHE », afin de pouvoir allumer et éteindre la pompe à distance (voir page 12).

À l'aide d'une clé hexagonale de 4 mm, installez le couvercle de l'injecteur avec (2) BHCS M6-1.0 x 14 mm dans l'orifice inférieur (voir figure 4).

Installation de l'adaptateur de sortie

1. Retirez le bouchon en plastique du port de sortie de la pompe.
2. Installez le joint torique n° 222 dans le port de sortie. Vérifiez que le joint torique est correctement installé.
3. À l'aide d'une clé hexagonale de 5 mm, installez les (4) SHCS M6-1.0 x 20 mm dans l'adaptateur de sortie dans la direction souhaitée dans le port de sortie (voir figure 4).

INSTRUCTIONS D'INSTALLATION (SUITE)

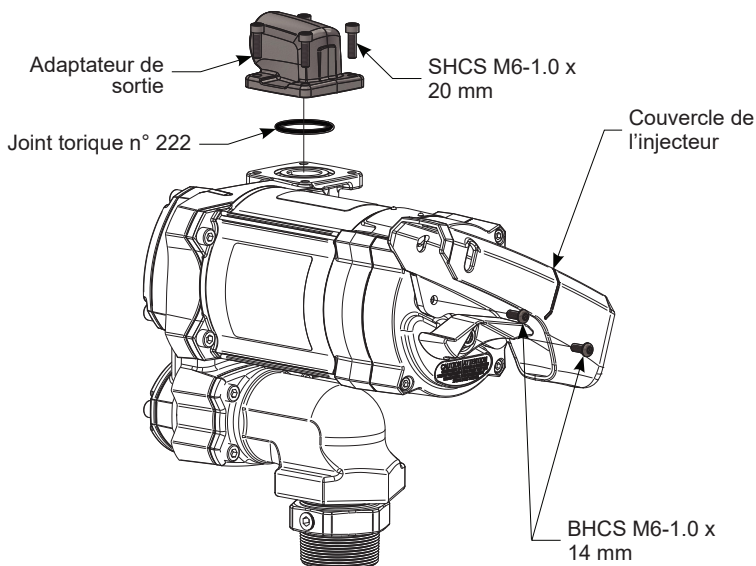


Figure 4

Installation du tuyau et de l'injecteur

1. Enveloppez une des extrémités du tuyau flexible de distribution avec trois ou quatre tours de ruban de filetage et vissez-le dans le port de sortie. Serrez-le à l'aide d'une clé réglable.
2. Enveloppez l'autre extrémité du tuyau avec trois ou quatre tours de ruban de filetage et vissez-le dans l'injecteur. Serrez-le à l'aide d'une clé réglable.
3. Placez l'injecteur dans le support d'injecteur sur une extrémité du boîtier du moteur de la pompe. Veuillez noter que l'injecteur peut uniquement être placé sur le support si l'interrupteur de la pompe est en position ARRÊT (voir figures 8 et 9).

⚠ DANGER

Si la pompe doit être installée dans un endroit dangereux (classifié), elle doit être installée par un électricien agréé et être conforme à tous les codes nationaux, étatiques et locaux, y compris, mais sans s'y limiter ; NEC/CSA 22.1/ANSI/IEC/NFPA 70, 30 et 30A. Vous, en tant que propriétaire, êtes responsable de vous assurer que l'installation et le fonctionnement de votre pompe sont conformes à tous les codes applicables. Des conduits rigides doivent être utilisés pour l'installation du câblage. Notez que les fils de plomb sont scellés en usine, isolant le moteur de la boîte de jonction. Ne pas suivre ces instructions de câblage peut entraîner la mort ou des blessures graves dues à des chocs électriques, des incendies ou des explosions.

INSTRUCTIONS D'INSTALLATION (SUITE)

Pour les zones 1 ou 2 (IECEX/ATEX)

Utilisez un presse-étoupe Ex db adapté lors des installations en zone 1 ou 2. Le câble ou cordon d'alimentation (non fourni) doit être conforme à la Clause n° 10.6.2 de la norme IEC 60079-14. Les conducteurs utilisés pour la tension secteur doivent avoir une isolation égale ou supérieure à 105 °C.

Distribution à distance et support de verrouillage d'interrupteur

Attention: Les pompes RD doivent uniquement être utilisées avec du matériel/ des appareils de contrôle certifiés UL. L'équipement utilisé doit être adapté à la classification du lieu où il est installé. La pompe de distribution à distance RD est dotée d'un système de verrouillage d'interrupteur externe qui maintient l'interrupteur de pompe en position « MARCHE ». La pompe est généralement éteinte à l'aide d'un mécanisme « MARCHE-ARRÊT » de l'appareil de distribution à distance.

Connexions électriques

Le câblage et les connexions électriques doivent être uniquement effectués par un électricien agréé conformément aux codes de l'électricité nationaux, provinciaux et locaux relatifs aux lieux de Classe I, Division 1, Groupe D. Cela inclut notamment le Code 70, Article 501.15(A)(1) de la National Fire Protection Association (NFPA). D'autres codes peuvent s'appliquer.

Le filetage pour le raccordement du conduit sur la boîte de jonction de la pompe est FNPT 1/2 po.

Un disjoncteur de 15 A ou 20 A est recommandé.

Détails relatifs au câblage

1. Retirez le couvercle électrique (voir figure 5). Installez le conduit et le câble provenant de la source d'alimentation vers la boîte de jonction de la pompe. Le câblage doit être conforme aux exigences de Classe I, Division 1 du code électrique national en vigueur. Veuillez noter que les fils conducteurs sont scellés en usine pour isoler le moteur de la boîte de jonction.

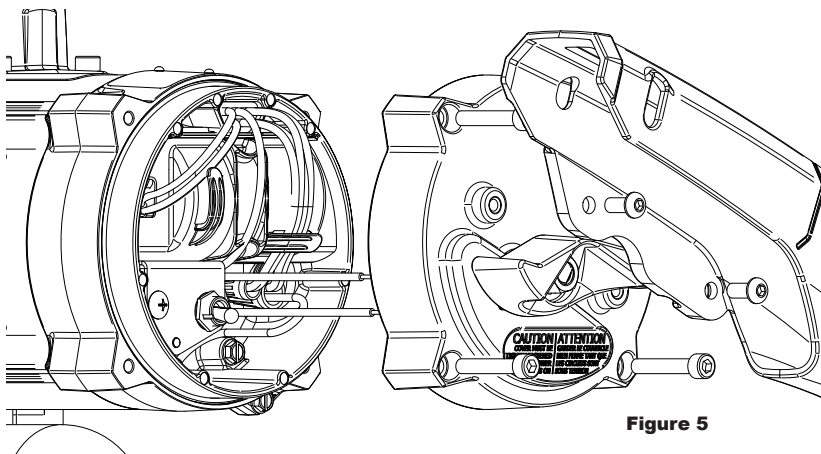


Figure 5

INSTRUCTIONS D'INSTALLATION (SUITE)

2. Branchez le fil de terre à l'aide de la vis de mise à la terre verte située à l'intérieur de la boîte de jonction (voir figure 6). Le raccordement externe est uniquement un raccordement complémentaire autorisé ou requis par les autorités locales.

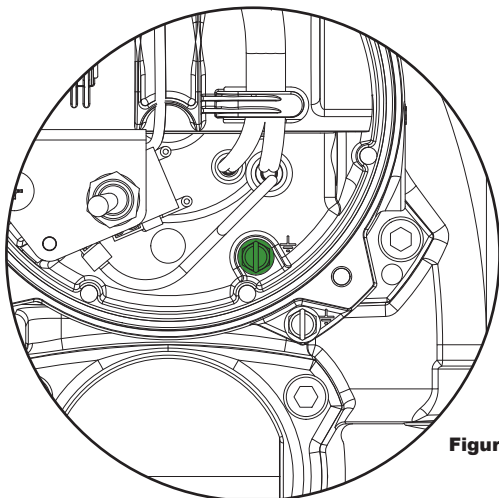


Figure 6

REMARQUE: Il est possible d'avoir recours à un circuit de commande CA secondaire pour utiliser un dispositif tel qu'un signal lumineux ou une valve à commande magnétique. Le fil CA « chaud » doit être attaché dans le grand connecteur à l'intérieur de la boîte de jonction (voir figure 7) et le fil neutre doit être attaché avec le neutre à l'interrupteur. L'ampérage maximal sur le circuit de commande doit être limité à 1 A.

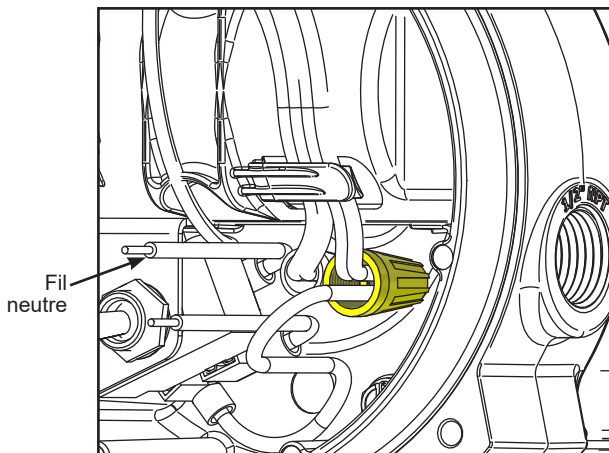


Figure 7

INSTRUCTIONS D'INSTALLATION (SUITE)

REMARQUE: Le modèle V20 est un moteur bitension qui peut être converti entre 115 V CA et 230 V CA si besoin. Pour que le moteur fonctionne dans une configuration de 115 V, raccordez les fils moteur bleu et orange à l'aide d'un connecteur, puis raccordez les fils moteur blanc et jaune ainsi que le fil jaune provenant de l'interrupteur avec un autre connecteur. Pour que le moteur fonctionne dans une configuration de 230 V, isolez le fil moteur bleu avec un petit connecteur, raccordez le fil moteur orange et blanc avec un connecteur et raccordez le fil moteur jaune avec le fil jaune provenant de l'interrupteur avec un autre connecteur. Veuillez vous reporter au schéma de câblage.

NON-PX SCHÉMA DE CÂBLAGE

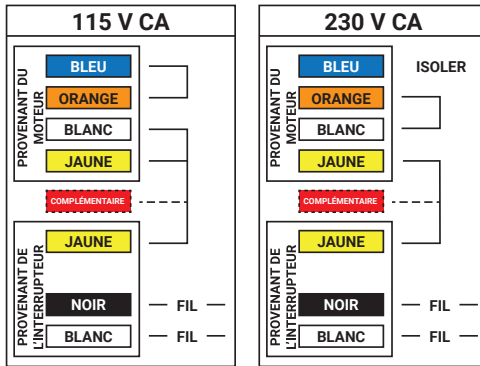


Figure 7a

171902-01

Rev (-)

PX SCHÉMA DE CÂBLAGE

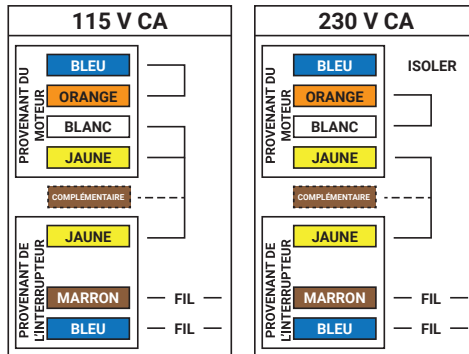


Figure 7b

171902-01

Rev (-)

- En suivant la tension, branchez le moteur aux phases de l'alimentation (voir les figures 7a/7b).
- Placez les câbles à l'intérieur de la boîte de jonction et remplacez le couvercle électrique. Installez les quatre (4) vis.

UTILISATION

IMPORTANT: Toujours suivre les précautions de sécurité lors de l'utilisation de cet équipement. Veuillez passer en revue les instructions de sécurité.

⚠ DANGER Pour éviter toute blessure physique ou tout dommage matériel, observer les précautions contre l'incendie ou l'explosion lors de la distribution de carburant. Ne pas faire fonctionner le système en présence de toute source d'allumage, y compris les moteurs en marche ou chauds, les produits de tabac allumés, les chauffages au gaz ou électriques ou tout type de dispositif électronique. Une étincelle peut enflammer les vapeurs de carburant.

⚠ ATTENTION Avant chaque utilisation, réparez les fuites autour des joints ou des connexions. Assurez-vous que les tuyaux sont en bon état et que les connexions sont serrées. Si endommagés, remplacez les tuyaux avant l'utilisation.

REMARQUE: Assurez-vous que la zone de travail est sèche.

⚠ AVERTISSEMENT Assurez-vous que la pompe est correctement mise à la terre. Réparez tout câblage corrodé ou endommagé avant utilisation.

REMARQUE: Assurez-vous que le réservoir contient suffisamment de carburant.

IMPORTANT: Assurez-vous que le carburant n'est pas contaminé par des débris. Serrez régulièrement les couvercles de réservoir desserrés.

Distribution de carburant

Retirez l'injecteur du support et insérez-le dans le réservoir de réception. Allumez la pompe en poussant le levier de l'interrupteur vers le haut. Pressez la poignée pour démarrer le débit de carburant. Lorsque vous avez terminé, relâchez la poignée de l'injecteur, éteignez la pompe et replacez l'injecteur sur son support.

IMPORTANT: Cette pompe est conçue pour être d'auto-amorçante. Si le carburant n'est pas distribué dans un délai de 15 à 20 secondes, éteignez la pompe et consultez les informations relatives à l'amorçage dans le Guide de dépannage (voir page 18).

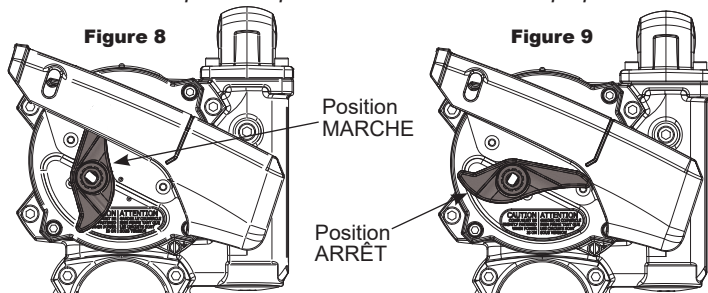
⚠ ATTENTION Une soupape de dérivation automatique empêche l'accumulation de pression lorsque la pompe est allumée avec la buse fermée. Pour éviter d'endommager la pompe, ne faites pas fonctionner la pompe pendant plus de 10 minutes avec la buse fermée. Laisser la pompe allumée avec la buse fermée pendant plus de 10 minutes peut endommager les composants de la pompe et annuler la garantie.

⚠ ATTENTION Ne jamais laisser la pompe fonctionner sans liquide. Le fonctionnement à sec peut endommager les composants de la pompe et annuler la garantie.

IMPORTANT: Il s'agit d'une pompe à fonctionnement intermittent, après avoir fait fonctionner la pompe pendant un maximum de 30 minutes, laissez-la refroidir pendant 30 minutes.

IMPORTANT: Le moteur est équipé d'un dispositif interne de limitation de température. Une surchauffe excessive du moteur déclenchera le dispositif, qui ne se réinitialisera qu'après le refroidissement du moteur. Si le dispositif se déclenche, mettez l'interrupteur sur OFF et laissez la pompe refroidir pendant 30 minutes. Remettez l'interrupteur sur ON lorsque vous êtes prêt à l'utiliser. Si le dispositif se déclenche à nouveau avant la fin du cycle de fonctionnement, consultez le guide de dépannage.

⚠ ATTENTION Toujours éteindre la pompe si le dispositif de limitation de température se déclenche. S'il est laissé allumé, la pompe se réinitialisera automatiquement lorsqu'elle sera refroidie et commencera à pomper.



ENTRETIEN

REMARQUE: Cette pompe est conçue pour nécessiter un entretien minimum. Les roulements du moteur sont autolubrifiants. Inspectez régulièrement la pompe et les composants pour détecter les fuites de carburant et assurez-vous que le tuyau et le cordon d'alimentation sont en bon état. Si endommagés, remplacez-les avant utilisation. Gardez l'extérieur de la pompe propre pour aider à identifier les fuites.

IMPORTANT: N'utilisez pas cette pompe pour l'eau, les produits chimiques ou les herbicides. La distribution de tout fluide autre que ceux répertoriés dans ce manuel peut endommager la pompe (voir "AVANT DE COMMENCER: Déclaration de compatibilité de ravitaillement" au début du manuel du propriétaire). L'utilisation de la pompe avec des fluides non autorisés annulera la

Nettoyage ou remplacement de la crépine/du clapet de non-retour

1. Éteignez la pompe et débranchez le câble d'alimentation. À l'aide d'une clé hexagonale de 6 mm, retirez le couvercle d'accès de la crépine, le joint torique et l'ensemble de la crépine/du clapet de non-retour, puis vérifiez s'il y a des dommages ou des obstructions (voir figure 10). Nettoyez la crépine avec une brosse à poils doux et du solvant. Si la crépine est très sale, il est possible d'utiliser de l'air comprimé. En cas de dommages, remplacez l'ensemble de la crépine/du clapet de non-retour.
2. Nettoyez le couvercle d'accès de la crépine et le joint torique. Enduisez le joint torique d'une légère couche de graisse. Réinstallez la crépine/le clapet de non-retour, le joint torique et le couvercle d'accès de la crépine. Vérifiez que le joint torique est correctement positionné et bien serré.

REMARQUE: Insérez un tournevis plat dans la fente située à l'intérieur du filtre pour le sortir de la cavité (voir figure 10a).

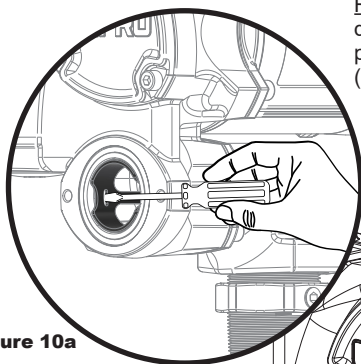


Figure 10a

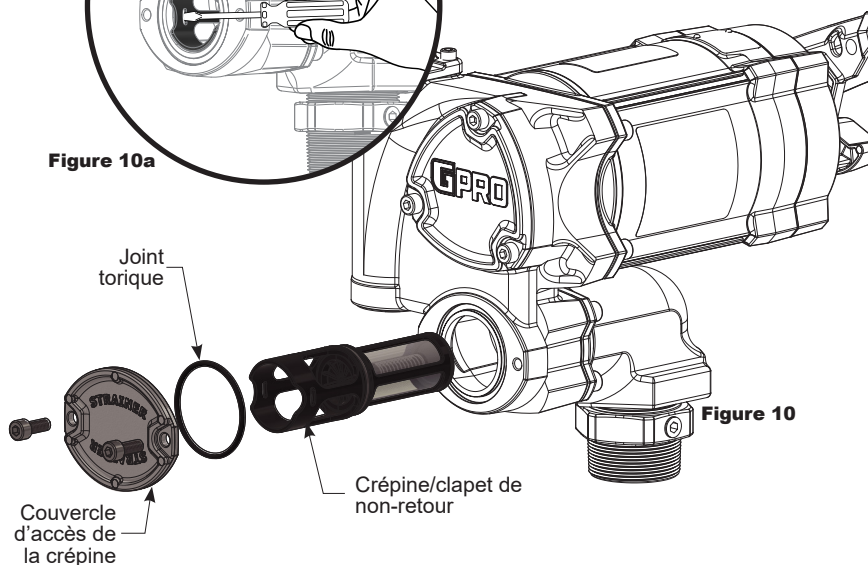


Figure 10

Réparations

Ce moteur est équipé d'un interrupteur et d'un condensateur reproductibles. Des kits sont disponibles en cas de panne. Pour remplacer ces pièces, commencez par éteindre la pompe et débrancher le câble d'alimentation. Ensuite, démontez le crochet de suspension de l'injecteur et le couvercle de jonction qui apparaissent précédemment assemblés sur les figures 4 et 5 des pages 11 et 12. Suivez les instructions fournies avec le kit pour remplacer les pièces en panne. Réassemblez le couvercle et le crochet de suspension, puis rebranchez l'alimentation. Avant de commencer le transfert de carburant avec la pompe, vérifiez que le moteur ne s'allume pas et que la pompe fonctionne correctement en dérivation : si c'est le cas, la pompe est prête à reprendre son fonctionnement standard.

Pour plus de renseignements sur les pièces de rechange de la pompe et le dépannage, utilisez le code QR fourni à la page 18.

Mise hors service et démontage

Pour retirer la pompe, débranchez le câble d'alimentation et suivez les étapes d'installation dans le sens inverse, de la page 14 à la page 10 de ce manuel.



Politique de garantie limitée

Par la présente, Great Plains Industries, Inc. (GPI) vous offre une garantie limitée contre les défauts de matériaux et de main-d'œuvre sur tous les produits fabriqués par GPI. La période de garantie commencera à la date d'achat confirmée par le reçu original de l'achat, ou, si le reçu est manquant, par la date de fabrication. La seule obligation du fabricant dans les garanties suivantes se limite à soit, au choix du fabricant, remplacer ou réparer les biens défectueux. Si le produit n'est plus disponible, un remplacement peut être effectué par un produit similaire de valeur égale ou supérieure. Le recours exclusif de l'acheteur en cas de violation de ces garanties sera l'application de ces obligations du fabricant. La garantie se limite à l'acheteur de ce produit et toute autre personne à qui ce produit est transféré pendant la période de garantie.

Cette garantie ne s'applique pas si :

Le produit a été négligé, mal utilisé, abusé ou endommagé ou qu'il a été installé ou opéré d'une façon autre que stipulée dans les instructions d'opération du fabricant ou que le produit a été altéré ou modifié par une personne autre qu'un représentant dûment mandaté par le garant.

Les composants de produit considérés comme des articles qui s'usent, c.-à-d. les cannelures, etc. NE SONT PAS inclus dans cette garantie.

Les frais d'expédition et d'assurance pour les colis expédiés à GPI sont la responsabilité du client. GPI va expédier le produit garanti sans frais au client situé aux États-Unis par voie terrestre. Les frais d'expédition internationale et les frais de douane, pour l'aller et le retour, sont la responsabilité du client.

GREAT PLAINS INDUSTRIES, INC., EXCLUS LA RESPONSABILITÉ SOUS CETTE GARANTIE POUR LES DOMMAGES DIRECTS, INDIRECTS, ACCESSOIRES ET CONSÉQUENTS ENCOURUS DANS L'UTILISATION OU LA PERTE DE L'UTILISATION DU PRODUIT GARANTIT SELON LES TERMES DE LA PRÉSENTE.

LA COMPAGNIE DÉCLINE EXPRESSÉMENT TOUTE GARANTIE DE QUALITÉ MARCHANDE OU D'APTITUDE À L'EMPLOI PARTICULIER SAUF POUR CELLES POUR LESQUELLES IL A ÉTÉ CONÇU.

CETTE GARANTIE VOUS DONNE DES DROITS SPÉCIFIQUES ET VOUS POURRIEZ ÉGALEMENT AVOIR D'AUTRES DROITS POUVANT VARIER D'UN ÉTAT AMÉRICAIN À UN AUTRE.

En accord avec l'ACTE DE GARANTIE DU CONSOMMATEUR MAGNUSON MOSS - SECTION 702 (gouverne la disponibilité de la revente des termes de garantie).

Pour obtenir un service de garantie, communiquez avec la division de soutien de produit de GPI :

316-686-7361 ou 800-835-0113

GPI vous guidera au travers d'un processus de diagnostic de produit afin de déterminer les actions correctives appropriées.

Les périodes suivantes de garantie s'appliquent :



GARANTIE DE 5 ANS s'applique aux familles de produits suivants :

Pompes de transfert de fluide GPRO® : PRO20-115, PRO20-230, V25-012, V25-024, V20-115, V20-230, PRO35-115

Distributeurs à distance GPRO® : QM240-RD, QM150-RD

Compteurs de carburant GPRO® : QM40

Compteurs de carburant GPI® : M30



GARANTIE DE DEUX ANS s'applique aux familles de produits suivants :

Pompes de transfert de fluide GPI® : G8P, EZ8, M-150S, M-180S, M-240S, G20-012*, M-1115S, P-200, PA-200, P-120H, P-200H, PA-120H, PA-200H, HP-100, HP-90, DP-20, RP-10

Compteurs de carburant GPI® : 01A, 01N, 03A, 03N, FM-300H, LM51DN, LM-300



GARANTIE D'UN AN s'applique aux produits suivants :

Pompes de transfert d'huile GPI® : L 5020, L 5116, L 5132



GARANTIE DE 90 JOURS s'applique aux produits suivants :

POMPES À MAIN DE TRANSFERT DE FLUIDE GPI® : RP-5, BP-12, LP-50

GARANTIE DE 90 JOURS s'applique aux pièces détachées, aux trousseaux et accessoires incluant buses*, boyaux, pivots, bouchons d'évent, adaptateurs de filtre, etc.

GARANTIE DE 90 JOURS s'applique aux réparations de l'usine de la date de réparation ou du restant de la période de garantie originale, selon la période la plus longue.

***Prolongation de garantie offerte sur certains produits.**

Exige l'enregistrement du produit avec le fabricant.

Visitez greatplainsindustries.com/register-your-product



SIÈGE SOCIAL DE LA COMPAGNIE :
5252 East 36th Street North
Wichita, KS, USA 67220-3205

EN SAVOIR PLUS :
greatplainsindustries.com

Revision Date: Octobre 9, 2023
CORP-1083 Rev C_Limited Warranty Policy



Póliza de Garantía Limitada

Great Plains Industries, Inc. (GPI) por la presente proporciona una garantía limitada contra defectos de material y mano de obra en todos los productos fabricados por GPI. El período de garantía comenzará en la fecha de compra confirmada con el recibo de compra original o, si no está disponible, la fecha de fabricación. La única obligación del fabricante en virtud de las siguientes garantías se limitará a, opción del fabricante, reemplazar o reparar los productos defectuosos. Si el producto ya no está disponible, se puede reemplazar con un producto similar de igual o mayor valor. El recurso exclusivo del Comprador en caso de incumplimiento de dichas garantías será el cumplimiento de dichas obligaciones del Fabricante. La garantía se extenderá al comprador de este producto y a cualquier persona a quien se transfiera dicho producto durante el período de garantía.

Garantía no se aplicará si:

El producto ha sido sometido a negligencia, mal uso, abuso o daño, o ha sido instalado u operado de manera diferente a las instrucciones de operación del fabricante, o el producto ha sido alterado o modificado fuera del representante debidamente designado por el garante.

Componentes del producto considerados elementos de desgaste, es decir, paletas, etc., NO están incluidos dentro del alcance de esta garantía

Los cargos de envío y asegurar los paquetes a GPI son responsabilidad del cliente. GPI devolverá el producto garantizado al cliente por envío terrestre sin cargo para envíos dentro de los Estados Unidos. Los gastos de envío Internacional y los gastos de aduana desde y hacia GPI son responsabilidad del cliente.

GREAT PLAINS INDUSTRIES, INC., EXCLUYE LA RESPONSABILIDAD BAJO ESTA GARANTÍA POR DAÑOS DIRECTOS, INDIRECTOS, INCIDENTALES Y CONSECUENTES INCURRIDOS EN EL USO O PÉRDIDA DE USO DEL PRODUCTO GARANTIZADO AQUÍ.

LA COMPAÑÍA RECHAZA EXPRESAMENTE CUALQUIER GARANTÍA DE COMERCIABILIDAD O APTITUD PARA CUALQUIER PROPÓSITO EN PARTICULAR QUE NO SEA PARA EL CUAL FUE DISEÑADO.

ESTA GARANTÍA LE OTORGA DERECHOS ESPECÍFICOS Y TAMBIÉN PUEDE TENER OTROS DERECHOS QUE VARIAN DE ESTADO DE EE. UU. A ESTADO DE EE. UU.

De conformidad con la LEY DE GARANTÍA DEL CONSUMIDOR DE MAGNUSON MOSS - PARTE 702 (rige la disponibilidad de reventa de los términos de la garantía)

Para obtener el servicio de garantía, comuníquese con el Departamento de Soporte de Productos de GPI:

316-686-7361 o 800-835-0113

GPI le guiará a través de un proceso de solución de problemas del producto para determinar las acciones correctivas apropiadas.

Se aplican los siguientes períodos de garantía respectivos:



GARANTÍA DE CINCO AÑOS se aplica a las siguientes familias de productos:
Bombas de Transferencia de Fluidos GPRO®:
PRO20-115, PRO20-230, V25-012, V25-024, V20-115, V20-230, PRO35-115
Dispensadores Remotos GPRO®:
QM240-RD, QM150-RD
Medidores de Combustible GPRO®: QM40
Medidores de Combustible GPI®: M30



GARANTÍA DE DOS AÑOS se aplica a las siguientes familias de productos:
Bombas de Transferencia de Fluidos GPI®:
G8P, EZ8, M-150S, M-180S, M-240S, G20-012*, M-1115S, P-200, PA-200, P-120H, P-200H, PA-120H, PA-200H, HP-100, HP-90, DP-20, RP-10
Medidores de Fluidos GPI®:
01A, 01N, 03A, 03N, FM-300H, LM51DN, LM-300



GARANTÍA DE UN AÑO se aplica a las siguientes familias de productos:
Bombas de Transferencia de Aceite GPI®:
L 5020, L 5116, L 5132



GARANTÍA DE 90 DÍAS se aplica a las siguientes familias de productos:
Bombas Manuales de Transferencia de Fluidos GPI®:
RP-5, BP-12, LP-50

GARANTÍA DE 90 DÍAS se aplica a repuestos, kits y accesorios incluyendo boquillas*, mangueras, pivote, tapas de ventilación, adaptadores de filtro, etc.

GARANTÍA DE 90 DÍAS se aplica a reparaciones de fábrica desde la fecha de reparación o el saldo de la garantía original, lo que sea más largo.

*Cobertura de garantía extendida disponible en productos seleccionados. Requiere el registro del producto con el fabricante. Visite greatplainsindustries.com/register-your-product



SEDE DE LA EMPRESA:
5252 East 36th Street North
Wichita, KS, USA 67220-3205

APRENDE MÁS:
greatplainsindustries.com

Fecha de Revisión: Octubre 9, 2023
CORP-1083 Rev C. Póliza de Garantía Limitada



Limited Warranty Policy

Great Plains Industries, Inc. (GPI) hereby provides a limited warranty against defects in material and workmanship on all products manufactured by GPI. The warranty period shall begin on the date of purchase confirmed with the original purchase receipt or, if not available, the date of manufacture. Manufacturer's sole obligation under the following warranties will be limited to either, at Manufacturer's option, replacing or repairing defective goods. If the product is no longer available, replacement may be made with a similar product of equal or greater value. Buyer's exclusive remedy for breach of any such warranties will be enforcement of such obligations of Manufacturer. The warranty shall extend to the purchaser of this product and to any person to whom such product is transferred during the warranty period.

Warranty shall not apply if:

The product has been subjected to neglect, misuse, abuse or damage or has been installed or operated other than in accordance with the manufacturer's operating instructions or the product has been altered or modified outside the warrantor's duly appointed representative.

Product components considered wear items, i.e. vanes, etc., are NOT included within the scope of this warranty.

Charges for shipping and insuring packages to GPI are the customer's responsibility. GPI will ship the warranted product back to the customer via ground shipping free of charge for shipments within the United States. International shipping charges and customs fees to and from GPI are the customer's responsibility.

GREAT PLAINS INDUSTRIES, INC., EXCLUDES LIABILITY UNDER THIS WARRANTY FOR DIRECT, INDIRECT, INCIDENTAL AND CONSEQUENTIAL DAMAGES INCURRED IN THE USE OR LOSS OF USE OF THE PRODUCT WARRANTED HEREUNDER.

THE COMPANY HEREWITH EXPRESSLY DISCLAIMS ANY WARRANTY OF MERCHANTABILITY OR FITNESS FOR ANY PARTICULAR PURPOSE OTHER THAN FOR WHICH IT WAS DESIGNED.

THIS WARRANTY GIVES YOU SPECIFIC RIGHTS AND YOU MAY ALSO HAVE OTHER RIGHTS WHICH VARY FROM U.S. STATE TO U.S. STATE.

In compliance with MAGNUSON MOSS CONSUMER WARRANTY ACT - PART 702 (governs the resale availability of the warranty terms)

To obtain warranty service contact the GPI Product Support Department:

316-686-7361 or 800-835-0113

GPI will guide you through a product troubleshooting process to determine the appropriate corrective actions.

The following respective warranty periods apply:



FIVE-YEAR WARRANTY applies to the following product families:

GPRO® Fluid Transfer Pumps:
PRO20-115, PRO20-230, V25-012, V25-024, V20-115, V20-230, PRO35-115
GPRO® Remote Dispensers:
QM240-RD, QM150-RD
GPRO® Fuel Meters: QM40
GPI® Fuel Meters: M30



TWO-YEAR WARRANTY applies to the following product families:

GPI® Fluid Transfer Pumps:
G8P, EZ8, M-150S, M-180S, M-240S, G20-012*, M-1115S, P-200, PA-200, P-120H, P-200H, PA-120H, PA-200H, HP-100, HP-90, DP-20, RP-10
GPI® Fluid Meters:
01A, 01N, 03A, 03N, FM-300H, LM51DN, LM-300



ONE-YEAR WARRANTY applies to the following products:

GPI® Oil Transfer Pumps:
L 5020, L 5116, L 5132



90-DAY WARRANTY applies to the following products:

GPI® Fluid Transfer Hand Pumps:
RP-5, BP-12, LP-50

90-DAY WARRANTY applies to Spare Parts, Kits and Accessories including Nozzles*, Hoses, Swivels, Vent Caps, Filter Adapters, etc.

90-DAY WARRANTY applies to Factory Repairs from repair date or the balance of the original warranty whichever is longer.

**Extended warranty coverage available on select products. Requires registration of product with manufacturer.*

Visit greatplainsindustries.com/register-your-product



COMPANY HEADQUARTERS:
5252 East 36th Street North
Wichita, KS, USA 67220-3205

LEARN MORE:
greatplainsindustries.com

Revision Date: October 9, 2023
CORP-1083 Rev C_Limited Warranty Policy