

# V20 TECHNICAL DATA SHEET



The GPRO V20 Series features a modular vane pump design suitable for stationary applications fueling large equipment.



<b>20</b> GPM	<b>76</b> L/min	<b>115V/230V</b> Dual Voltage Configurable
------------------	--------------------	---

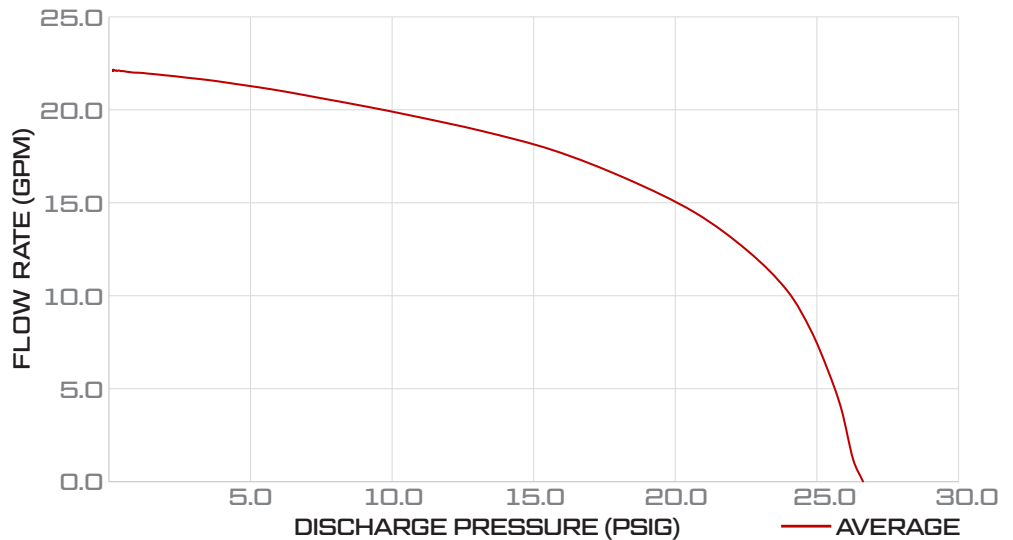
## WETTED MATERIALS (ALL MODELS)

<b>Housing &amp; Cover Plates:</b>	Cast Iron & Aluminum
<b>Rotor &amp; Motor Shaft:</b>	Steel
<b>Vane:</b>	Carbon
<b>Check Valve &amp; Strainer Mesh:</b>	PBT / Polyester, 330 micron
<b>Poppet Valve:</b>	Acetal
<b>Seals:</b>	NBR, FKM

## SPECS (ALL MODELS)

<b>Max. Flow Rate:</b>	20 GPM   76 L/min
<b>Operating Pressure:</b>	Up to 25 PSI (1.72 bar)
<b>Minimum Dry Vac:</b>	12 in. Hg
<b>At Sea Level 70° F (21.1° C)</b>	<b>Suction Lift:</b> Up to 15 ft. (4.5 m)
	<b>Discharge Lift:</b> 15 ft. (4.5 m)
<b>Warranty:</b>	Five-Year Pump Warranty

## PERFORMANCE CURVE (115VAC)

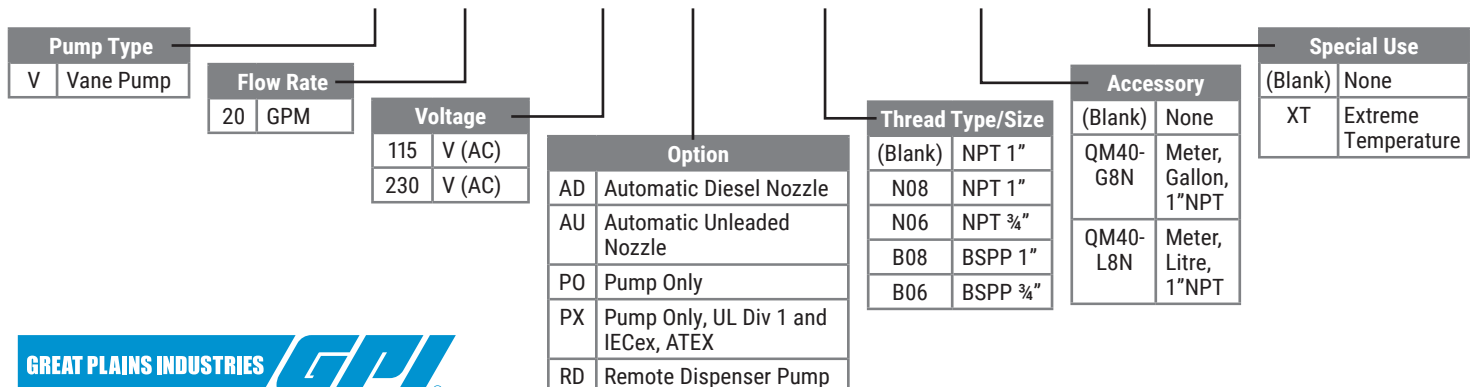


## V20 SERIES MODEL NUMBERS

**Example:**

V20-115PO+QM40-G8N

<b>V</b>	<b>20</b>	<b>-</b>	<b>115</b>	<b>PO</b>	<b>-</b>	<b>+</b>	<b>QM40-G8N</b>	<b>+</b>	
Type	Flow Rate	-	Voltage	Option	-	Thread	+ Accessory	+ Special Use	

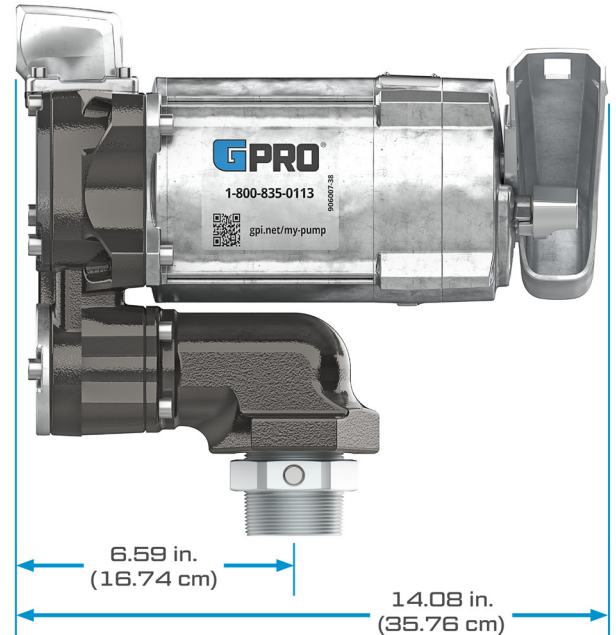
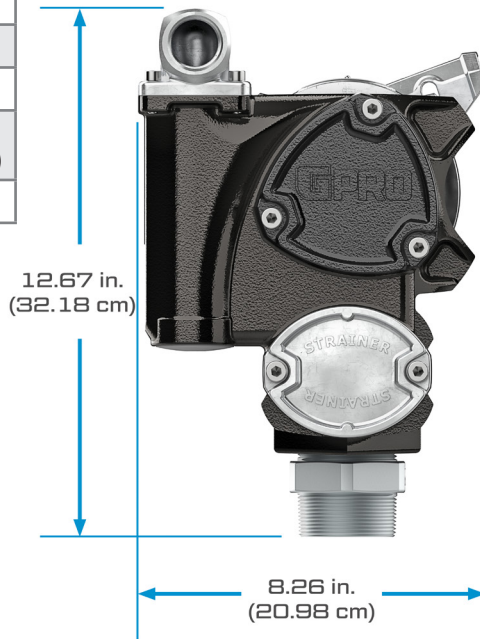


## SPECS (ALL MODELS)

## DIMENSIONS

<b>Motor HP:</b>	0.50
<b>Motor RPM:</b>	1690
<b>Duty Cycle:</b>	30 min. on/30 min. off
<b>Motor Protection:</b>	Thermal Breaker (Automatically Resets)
<b>Power Cord:</b>	Not Included

Refer to manual for wiring instructions



	171000-01 V20-115PO-N08	171001-01 V20-115PO-N06	171000-05 V20-115RD-N08	171000-51 V20-115PO-N08+XT	171001-51 V20-115PO-N06+XT	171000-53 V20-115AD+XT	171000-03 V20-115AD	171001-03 V20-115AU
<b>Voltage, Input:</b>	115V (AC) 60Hz, 230V (AC) 50/60Hz							
<b>Amps (Rated) 60Hz:</b>	115V (AC) 5.5 Amp   230V (AC) 2.8 Amp							
<b>Fluid Statement:</b>	Gasoline up to E15, Diesel Fuel up to B20, Kerosene, (Avgas 100LL), Jet A and Jet A-1*					Gasoline up to E15, Diesel Fuel up to B20, Kerosene		
<b>Approvals:</b>	cULus Motor Listed for Hazardous Locations Class I, Division 2, Group D USA and Canada cULus Power-Operated Pumps for Petroleum Products							

	171000-04 V20-230PX-B08	171001-04 V20-230PX-B06
<b>Voltage, Input:</b>	230V (AC) 50/60Hz, 115V (AC) 60Hz	
<b>Amps (Rated) 50Hz:</b>	230V (AC) 4.3 Amp   115V (AC) Not Applicable	
<b>Fluid Statement</b>	Gasoline up to E15, Diesel Fuel up to B20, Kerosene, (Avgas 100LL), Jet A and Jet A-1*	
<b>Approvals</b>	cULus Motor Listed for Hazardous Locations Class I, Division 2, Group D USA and Canada cULus Power-Operated Pumps for Petroleum Products IECEx, ATEX, CE	

*\*For ground-based refueling only. Do not use in or on the aircraft. For use with aviation gasoline (Avgas 100LL), Jet A and Jet A-1. User should consult NFPA 407 Standard for Aircraft Fuel Servicing for safety requirements during ground fuel servicing of aircraft using liquid petroleum fuels. This product has no actual or implied compliance with this standard. Owners and operators are responsible for compliance to all applicable regulations.*

Part No.	Description	What's in the Box								
171000-01	<b>PUMP, FUEL 115V 20 GPM, PUMP ONLY, 1"</b>	<b>V20-115PO</b> 115V AC 20 GPM Fuel Transfer Pump, Nozzle cover, 1-inch modular outlet fitting w/hardware, Tank adapter, Thread tape, Owner's manual								
<b>Model</b> V20-115PO-N08										
Operating Temperature	Mounting Type	Suction Pipe	Inlet	Modular Outlet	Hose Length	Hose Fitting Diameter	Hose Approvals	Nozzle Size	Nozzle Type	Nozzle Holder Type
-20° F to 125° F (-29° C to 52° C)	Direct Mount, 2 in. MNPT	Not Included	1 in. FNPT	1 in. FNPT	– Not Included –			– Not Included –		Lockable With Drip Catch

Part No.	Description	What's in the Box								
171000-03	<b>PUMP, FUEL 115V 20 GPM, AUTO, 1"</b>	<b>V20-115AD</b> 115V AC 20 GPM Fuel Transfer Pump, Nozzle cover, Auto shut-off diesel nozzle, Dispensing hose, 1-inch modular outlet fitting w/hardware, Tank adapter, Thread tape, Owner's manual								
<b>Model</b> V20-115AD										
Operating Temperature	Mounting Type	Suction Pipe	Inlet	Modular Outlet	Hose Length	Hose Fitting Diameter	Hose Approvals	Nozzle Size	Nozzle Type	Nozzle Holder Type
-20° F to 125° F (-29° C to 52° C)	Direct Mount, 2 in. MNPT	Not Included	1 in. FNPT	1 in. FNPT	18 ft. (5.5m)	1 in. MNPT	UL Listed	1 in. FNPT, Inlet	Automatic Shut-off, Diesel	Lockable With Drip Catch

Part No.	Description	What's in the Box								
171000-51	<b>PUMP, FUEL 115V 20 GPM, PUMP ONLY, 1", XT</b>	<b>V20-115PO+XT</b> 115V AC 20 GPM Fuel Transfer Pump, Nozzle cover, 1-inch modular outlet fitting w/hardware, Tank adapter, Thread tape, Owner's manual								
<b>Model</b> V20-115PO-N08+XT										
Operating Temperature	Mounting Type	Suction Pipe	Inlet	Modular Outlet	Hose Length	Hose Fitting Diameter	Hose Approvals	Nozzle Size	Nozzle Type	Nozzle Holder Type
-40° F to 125° F (-40° C to 52° C)	Direct Mount, 2 in. MNPT	Not Included	1 in. FNPT	1 in. FNPT	– Not Included –			– Not Included –		Lockable With Drip Catch

Part No.	Description	What's in the Box								
171000-53	<b>PUMP, FUEL 115V 20 GPM, AUTO, 1", XT</b>	<b>V20-115AD+XT</b> 115V AC 20 GPM Fuel Transfer Pump, Nozzle cover, Auto shut-off diesel nozzle, Dispensing hose, 1-inch modular outlet fitting w/hardware, Tank adapter, Thread tape, Owner's manual								
<b>Model</b> V20-115AD+XT										
Operating Temperature	Mounting Type	Suction Pipe	Inlet	Modular Outlet	Hose Length	Hose Fitting Diameter	Hose Approvals	Nozzle Size	Nozzle Type	Nozzle Holder Type
-40° F to 125° F (-40° C to 52° C)	Direct Mount, 2 in. MNPT	Not Included	1 in. FNPT	1 in. FNPT	18 ft. (5.5m)	1 in. MNPT	UL Listed	1 in. FNPT, Inlet	Automatic Shut-off, Diesel	Lockable With Drip Catch

Part No.	Description	What's in the Box								
171001-01	<b>PUMP, FUEL 115V 20 GPM, PUMP ONLY, 3/4"</b>	<b>V20-115PO</b> 115V AC 20 GPM Fuel Transfer Pump, Nozzle cover, 3/4-inch modular outlet fitting w/hardware, Tank adapter, Thread tape, Owner's manual								
<b>Model</b> V20-115PO-N06										
Operating Temperature	Mounting Type	Suction Pipe	Inlet	Modular Outlet	Hose Length	Hose Fitting Diameter	Hose Approvals	Nozzle Size	Nozzle Type	Nozzle Holder Type
-20° F to 125° F (-29° C to 52° C)	Direct Mount, 2 in. MNPT	Not Included	1 in. FNPT	3/4 in. FNPT	– Not Included –			– Not Included –		Lockable With Drip Catch

Part No.	Description	What's in the Box								
171001-03	<b>PUMP, FUEL 115V 20 GPM, AUTO UNLEADED, 3/4"</b>	<b>V20-115AU</b> 115V AC 20 GPM Fuel Transfer Pump, Nozzle cover, Auto shut-off unleaded nozzle, Dispensing hose, 3/4-inch modular outlet fitting w/hardware, Tank adapter, Thread tape, Owner's manual								
<b>Model</b> V20-115AU										
Operating Temperature	Mounting Type	Suction Pipe	Inlet	Modular Outlet	Hose Length	Hose Fitting Diameter	Hose Approvals	Nozzle Size	Nozzle Type	Nozzle Holder Type
-20° F to 125° F (-29° C to 52° C)	Direct Mount, 2 in. MNPT	Not Included	1 in. FNPT	3/4 in. FNPT	18 ft. (5.5m)	3/4 in. MNPT	UL Listed	3/4 in. FNPT, Inlet	Automatic Shut-off, Unleaded	Lockable With Drip Catch

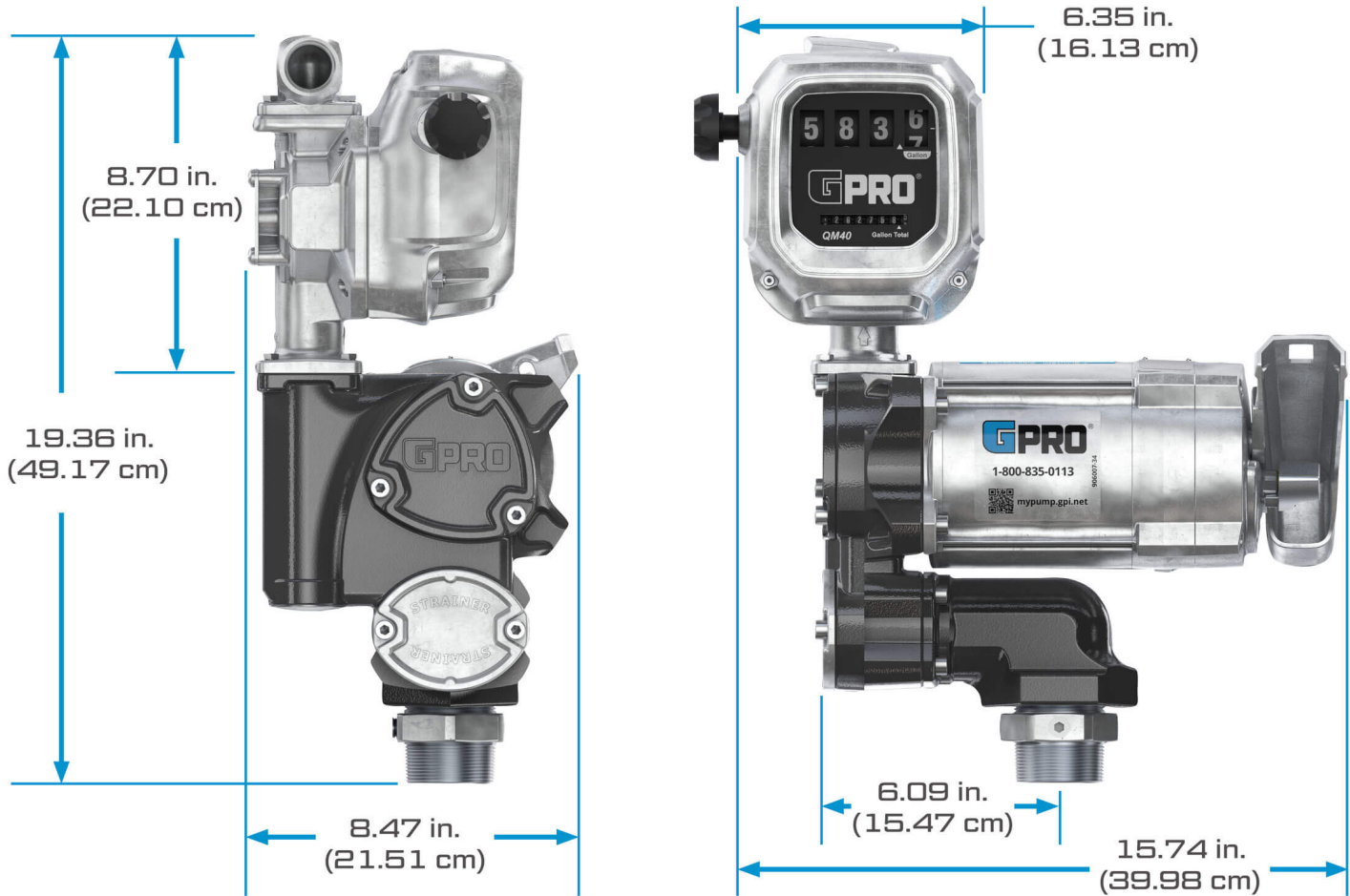
Part No.	Description	What's in the Box								
171001-51	<b>PUMP, FUEL 115V 20 GPM, PUMP ONLY, 3/4", XT</b>	<b>V20-115PO+XT</b> 115V AC 20 GPM Fuel Transfer Pump, Nozzle cover, 3/4-inch modular outlet fitting w/hardware, Tank adapter, Thread tape, Owner's manual								
<b>Model</b> V20-115PO-N06+XT										
Operating Temperature	Mounting Type	Suction Pipe	Inlet	Modular Outlet	Hose Length	Hose Fitting Diameter	Hose Approvals	Nozzle Size	Nozzle Type	Nozzle Holder Type
-40° F to 125° F (-40° C to 52° C)	Direct Mount, 2 in. MNPT	Not Included	1 in. FNPT	3/4 in. FNPT			– Not Included –		– Not Included –	Lockable With Drip Catch

Part No.	Description	What's in the Box								
171000-05	<b>PUMP, FUEL 115V 20 GPM, REMOTE DISPENSER</b>	<b>V20-115RD</b> 115V AC 20 GPM Fuel Transfer Pump, Lever lock bracket w/hardware, 1-inch modular outlet fitting w/hardware, NPT-threaded Tank adapter, Thread tape, Owner's manual								
<b>Model</b> V20-115RD-N08										
Operating Temperature	Mounting Type	Suction Pipe	Inlet	Modular Outlet	Hose Length	Hose Fitting Diameter	Hose Approvals	Nozzle Size	Nozzle Type	Nozzle Holder Type
-20° F to 125° F (-29° C to 52° C)	Direct Mount, 2 in. MNPT	Not Included	1 in. FNPT	1 in. FNPT			– Not Included –		– Not Included –	Lockable With Drip Catch

Part No.	Description	What's in the Box								
171000-04	<b>PUMP, FUEL 230V 20 GPM, PUMP ONLY, 1" BSPP</b>	<b>V20-230PX</b> 230V AC 20 GPM Fuel Transfer Pump, Nozzle cover, 1-inch modular outlet fitting w/hardware, Tank adapter, Thread tape, Owner's manual								
<b>Model</b> V20-230PX-B08										
Operating Temperature	Mounting Type	Suction Pipe	Inlet	Modular Outlet	Hose Length	Hose Fitting Diameter	Hose Approvals	Nozzle Size	Nozzle Type	Nozzle Holder Type
-20° F to 125° F (-29° C to 52° C)	Direct Mount, 2 in. BSPT	Not Included	1 in. BSPP	1 in. BSPP			– Not Included –		– Not Included –	Lockable With Drip Catch

Part No.	Description	What's in the Box								
171001-04	<b>PUMP, FUEL 230V 20 GPM, PUMP ONLY, 3/4" BSPP</b>	<b>V20-230PX</b> 230V AC 20 GPM Fuel Transfer Pump, Nozzle cover, 3/4-inch modular outlet fitting w/hardware, Tank adapter, Thread tape, Owner's manual								
<b>Model</b> V20-230PX-B06										
Operating Temperature	Mounting Type	Suction Pipe	Inlet	Modular Outlet	Hose Length	Hose Fitting Diameter	Hose Approvals	Nozzle Size	Nozzle Type	Nozzle Holder Type
-20° F to 125° F (-29° C to 52° C)	Direct Mount, 2 in. BSPT	Not Included	1 in. BSPP	3/4 in. BSPP			– Not Included –		– Not Included –	Lockable With Drip Catch

## PUMP AND METER COMBOS



Part No.	Description										What's in the Box		
171050-01	<b>COMBO GALLONS PUMP, FUEL, 115V, 20 GPM, PUMP ONLY, METER, FUEL, GALLONS, 1"</b>										<b>V20-115PO</b> 115V AC 20 GPM Fuel Transfer Pump, Nozzle cover, 1-inch modular outlet fitting w/hardware, Tank adapter, Thread tape, Owner's manual <b>QM40-G8N</b> Fuel meter with gallon register, Hardware, Owner's manual		
<b>Model</b> V20-115PO+QM40-G8N													
Operating Temperature	Mounting Type	Suction Pipe	Inlet	Modular Outlet	Hose Length	Hose Fitting Diameter	Hose Approvals	Nozzle Size	Nozzle Type	Nozzle Holder Type			
-20° F to 125° F (-29° C to 52° C)	Direct Mount, 2 in. MNPT	Not Included	1 in. FNPT	1 in. FNPT			- Not Included -			Lockable With Drip Catch			

Part No.	Description										What's in the Box		
171050-02	<b>COMBO LITRES PUMP, FUEL, 115V, 20 GPM, PUMP ONLY, METER, FUEL, LITRES, 1"</b>										<b>V20-115PO</b> 115V AC 20 GPM Fuel Transfer Pump, Nozzle cover, 1-inch modular outlet fitting w/hardware, Tank adapter, Thread tape, Owner's manual <b>QM40-L8N</b> Fuel meter with litre register, Hardware, Owner's manual		
<b>Model</b> V20-115PO+QM40-L8N													
Operating Temperature	Mounting Type	Suction Pipe	Inlet	Modular Outlet	Hose Length	Hose Fitting Diameter	Hose Approvals	Nozzle Size	Nozzle Type	Nozzle Holder Type			
-20° F to 125° F (-29° C to 52° C)	Direct Mount, 2 in. MNPT	Not Included	1 in. FNPT	1 in. FNPT			- Not Included -			Lockable With Drip Catch			