

# M 718 Liquid Level Gauge

SPECIFICATION SHEET

## Application

The Morrison 718 liquid level gauge is designed for measuring liquid level in an aboveground storage tank. This gauge installs on top of the tank and is activated by a float connected to a cable.

## Features and Details

### 718

- Two models accommodate tank depths up to 72" and 108"
- Measurement readout is inches to empty
- 2" male NPT threads
- Float installs through a 2" female threaded opening or a schedule 40 riser
- Easy float length adjustment (1" or 2" increments)
- Vapor space sealed to prevent lens fogging
- UV resistant liquid level tape
- Approximately 12" of extra cable to accommodate installations with riser pipes

### 718G

- Gallon models accommodate tanks of specific dimensions (see next page)
- Measurement readout is gallons to empty

### 718M

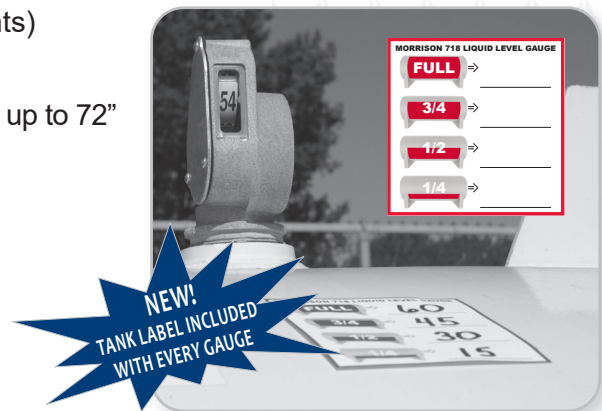
- This model accommodates tank depths up to 275CM
- Measurement readout is centimeters to empty
- Easy float length adjustment (2.54CM or 5.08CM increments)

### 718U

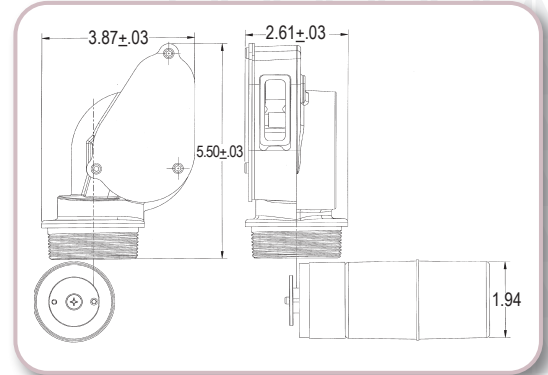
- This model measures ullage and accommodates tank depths up to 72"
- Measurement readout is inches to full

## Materials of Construction

- Body... cast aluminum
- Spring... 301 stainless steel
- Shaft bushing... stainless steel
- O-ring... FKM
- Cable... 30# braide microfilament
- Float... Polypropylene and aluminum (standard float); aluminum (gas float)
- Lens cover... Lexan



Scan to watch installation video



### Display in inches:

Item Number	Description	Height	Gas Float	Weight (lbs)
718--7200 AG	Liquid level gauge for tanks up to 72"	72"		2.0
718--7250 AG	Liquid level gauge for tanks up to 72"	72"	✓	2.0
718--10800 AG	Liquid Level gauge for tanks up to 108"	108"		2.0
718--10850 AG	Liquid Level gauge for tanks up to 108"	108"	✓	2.0
718U--7200 AG	Liquid level gauge for tanks up to 72", ullage	72"		2.0
718U--7250 AG	Liquid level gauge for tanks up to 72", ullage	72"	✓	2.0

### Display in gallons:

Item Number	Description	Tank Capacity	Tank Shape	Diameter	Length	Width	Height	Gas Float	Weight (lbs)
718G--27500 AG	Liquid level gauge	275 gallons	Obround	N/A	60"	27"	44"		2.0
718G--27550 AG	Liquid level gauge	275 gallons	Obround	N/A	60"	27"	44"	✓	2.0
718G--50000 AG	Liquid level gauge	500 gallons	Horizontal	48"	65"	N/A	N/A		2.0
718G--50050 AG	Liquid level gauge	500 gallons	Horizontal	48"	65"	N/A	N/A	✓	2.0
718G--52000 AG	Liquid level gauge	520 gallons	Horizontal	48"	68"	N/A	N/A		2.0
718G--52050 AG	Liquid level gauge	520 gallons	Horizontal	48"	68"	N/A	N/A	✓	2.0
718G--56000 AG	Liquid level gauge	560 gallons	Horizontal	48"	72"	N/A	N/A		2.0
718G--56050 AG	Liquid level gauge	560 gallons	Horizontal	48"	72"	N/A	N/A	✓	2.0
718G-100000 AG	Liquid level gauge	1,000 gallons	Horizontal	64"	72"	N/A	N/A		2.0
718G-100050 AG	Liquid level gauge	1,000 gallons	Horizontal	64"	72"	N/A	N/A	✓	2.0
718G-100001 AG	Liquid level gauge	1,000 gallons	Horizontal	48"	128"	N/A	N/A		2.0
718G-100051 AG	Liquid level gauge	1,000 gallons	Horizontal	48"	128"	N/A	N/A	✓	2.0
718G-200000 AG	Liquid level gauge	2,000 gallons	Horizontal	64"	144"	N/A	N/A		2.0
718G-200050 AG	Liquid level gauge	2,000 gallons	Horizontal	64"	144"	N/A	N/A	✓	2.0
718G--2800C AG	Liquid level gauge, CSI, Nominal	280 gallons	Lube Cube	N/A	58"	34"	49"		2.0
718G--2805C AG	Liquid level gauge, CSI, Nominal	280 gallons	Lube Cube	N/A	58"	34"	49"	✓	2.0
718G--5000C AG	Liquid level gauge, CSI, Nominal	500 gallons	Lube Cube	N/A	58"	46"	61"		2.0
718G--5005C AG	Liquid level gauge, CSI, Nominal	500 gallons	Lube Cube	N/A	58"	46"	61"	✓	2.0
718G-10000C AG	Liquid level gauge, CSI, Nominal	1,000 gallons	Lube Cube	N/A	112"	48"	61"		2.0
718G-10005C AG	Liquid level gauge, CSI, Nominal	1,000 gallons	Lube Cube	N/A	112"	48"	61"	✓	2.0

### Display in centimeters:

Item Number	Description	Height	Gas Float	Weight (lbs)
718M--27500 AG	Liquid level gauge for tanks up to 275 CM	275 CM		2.0
718M--27550 AG	Liquid level gauge for tanks up to 275 CM	275 CM	✓	2.0