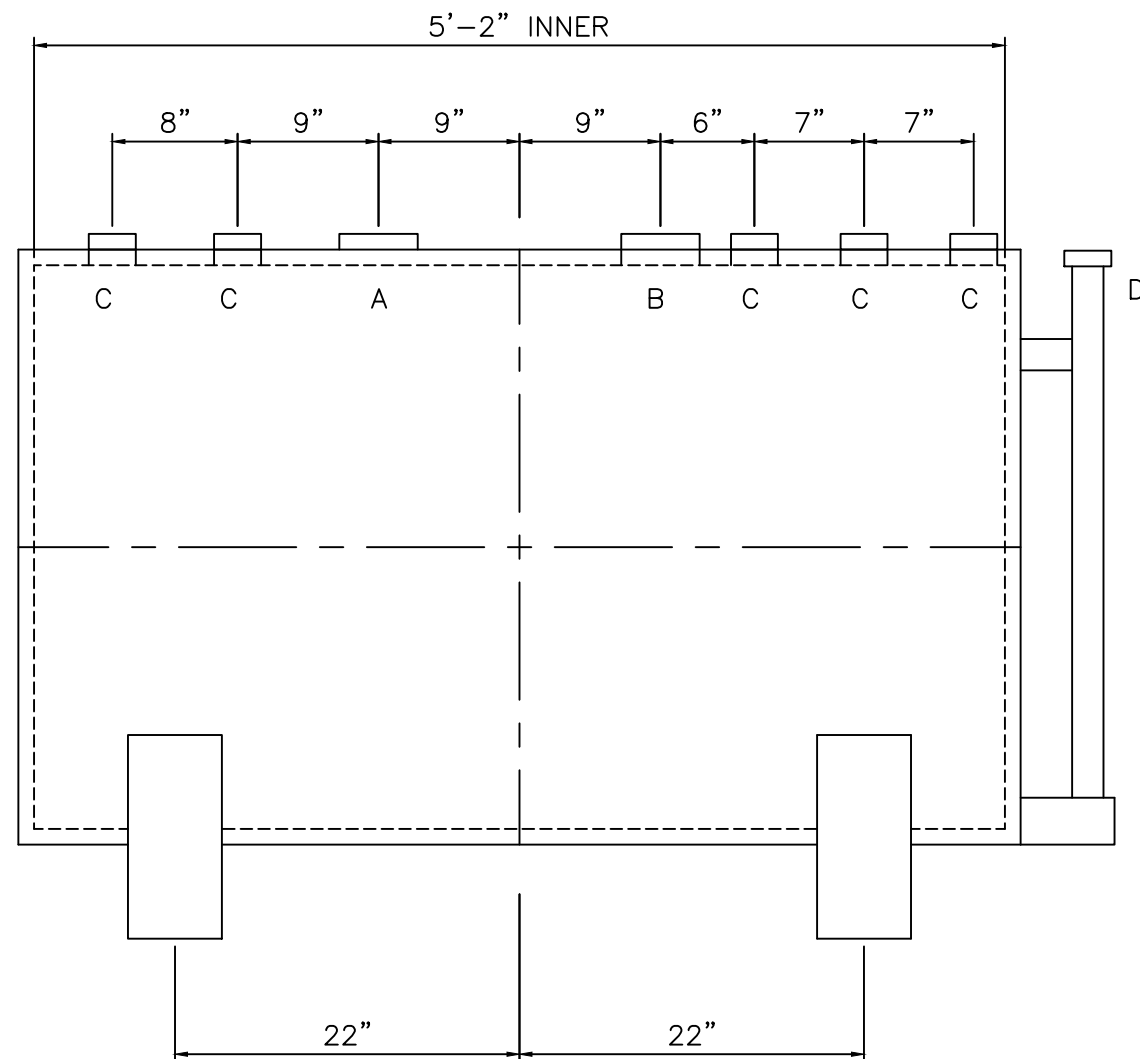
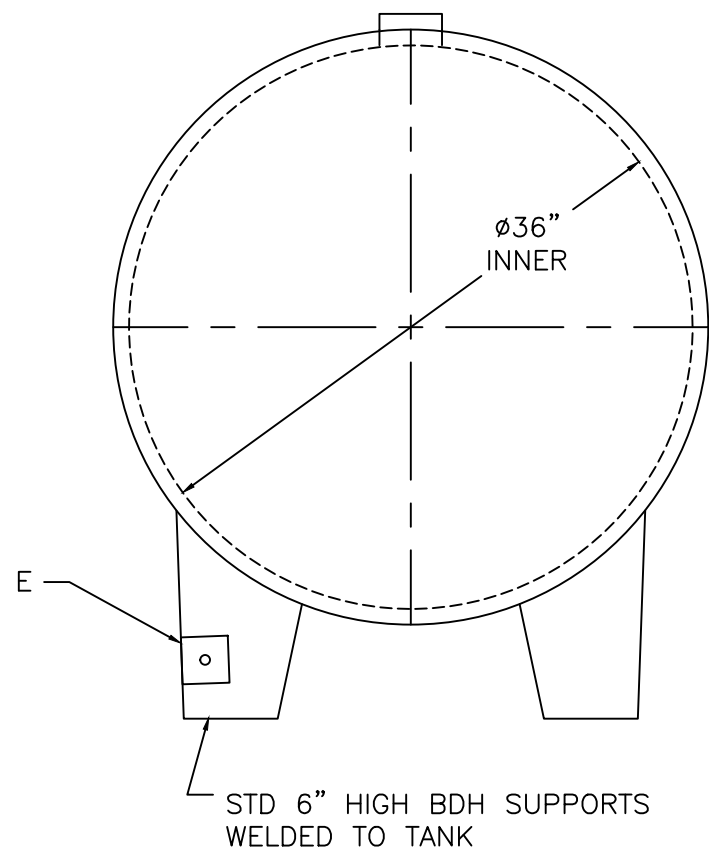


NOTE: ALL RIGHTS RESERVED. THIS DRAWING MUST NOT BE REPRODUCED IN ANY FORM WITHOUT THE WRITTEN PERMISSION OF HIGHLAND TANK®. HIGHLAND TANK® SHALL BE RESPONSIBLE ONLY FOR ITEMS INDICATED ON THIS FABRICATION DRAWING UNLESS OTHERWISE NOTED. CUSTOMER IS RESPONSIBLE FOR VERIFYING CORRECTNESS OF SIZE AND LOCATION OF FITTINGS, ACCESSORIES, AND COATINGS SHOWN ON THIS DRAWING.

TOUCH UP OF FINISHED PAINT IS REQUIRED BY INSTALLATION CONTRACTOR. TOUCH UP PAINT SHIPPED WITH TANK.



DESIGN DATA	
CAPACITY – 270 GALLONS	
TYPE – DOUBLE WALL – TYPE I	
NO. REQ. –	
OPERATING PRESSURE – ATMOSPHERIC	
SPECIFIC GRAVITY = 1.0	
TANK MATERIAL – MILD CARBON STEEL	
THICKNESS – INNER– HEADS:	12 GA SHELL: 12 GA
THICKNESS – OUTER– HEADS:	10 GA SHELL: 10 GA
CONSTRUCTION – INNER – LAP WELD OUTSIDE ONLY OUTER – LAP WELD OUTSIDE ONLY	
TANK TEST – INNER – 5 PSIG OUTER – +3 PSIG OR 13"hg VACUUM	
INT. FINISH – NONE	
EXT. FINISH – SHOP PRIMER	
LABEL – UL 142	

LEGEND	
A	4" FITTING THROUGH OUTER SHELL ONLY – MARK WITH LABEL – SECONDARY EMERGENCY VENT USE ONLY
B	4" FITTING – PRIMARY EMERGENCY VENT USE
C	2" FITTING
D	2" INTERSTITIAL MONITOR PIPE
E	3" x 3" PLATE w/ 1/2"Ø (MIN.) HOLE ON CENTER (GROUNDING LUG–ONE REQ'D)
F	–

APPROVED 6/23/2021  
*Isaac M. Smith*

 <b>Highland Tank</b>		UNLESS NOTED, TOLERANCES ARE +/- 1"	
		270 GAL 36"Ø DW BDH TANK	
CUSTOMER: PHOENIX PUMP			
PROJECT: PART# HT270BDHDW			
QUOTE NO:		CHK'D BY:	
SCALE: 1" = 12"	DATE:	DWG. BY:	DWG. NO: HT270BDHDW