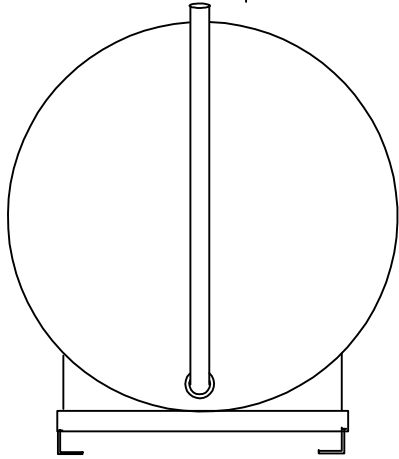
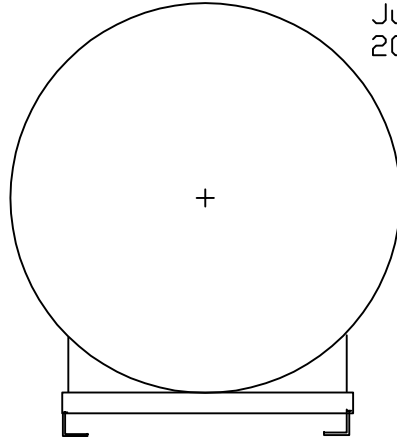


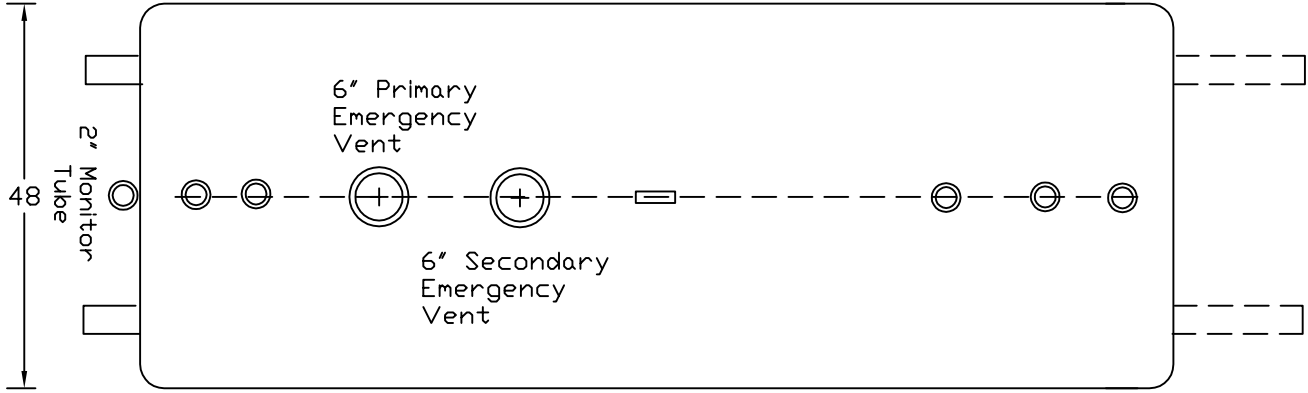
| Tank Information | | | |
|------------------|-----|-------------|-----------|
| ZONE | REV | DESCRIPTION | DATE |
| | | | July 2020 |



48

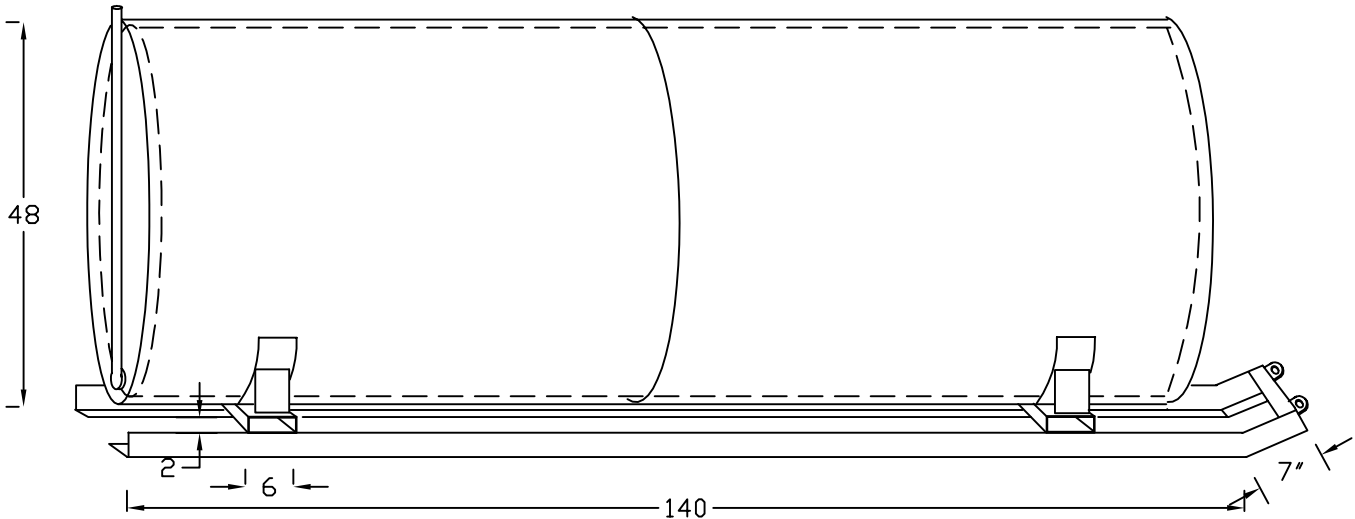


FINAL APPROVED DRAWING
 BY: _____
 DATE: _____



48

130




48

2 6

140

7"

| | | | |
|--|--|-------------------------|-----|
|  Pee Dee Tank | 1000SKDW | | |
| | 1000 Gallon Double Wall Tank with Skids, Monitoring Pipe, Std. Openings, 10GA Steel Primary Tank, 12GA Outer Shell, Empty Weight Approx 2500 lbs | | |
| 1333 North Douglas St Florence, SC 29501 Telephone (843) 669-3381 Fax (843) 664-9118 | UL142 Listed | For Stationery Use Only | REV |
| SCALE | Lane | SHEET | |