

# FILL-RITE®

## TT10A AND TT10P IN-LINE TURBINE METER

Installation and Operation Manual



MADE IN   
USA  
WITH GLOBAL MATERIALS

  
GORMAN-RUPP  
COMPANY

**Table of Contents**

About This Manual..... 3  
 Symbols and Definitions..... 3  
 General Description..... 3  
 Safety Information..... 3  
 TT10 Technical Information ..... 4  
 Fluid/Viscosity Compatibility..... 4  
 Installation..... 4  
 Electronic Module Orientation..... 5  
 Operational Functions..... 5  
 Changing Unit of Measure ..... 5  
 Press Calibration/Fluid Type Factor (CAL)..... 6  
 Fluid Calibration..... 6  
 Flush Mode (FLSH) ..... 7  
 Reset Accumulated Total ..... 7  
 K-Factor Check..... 7  
 Battery Replacement..... 7  
 Maintenance and Storage..... 7  
 Troubleshooting Guide ..... 8  
 Regulatory..... 9

**Thank You!**

Thank you for your loyalty to the Fill-Rite brand of fuel transfer pumps. Your safety is important, so please read and thoroughly understand the procedures set forth in this manual. Protect yourself as well as those around you by observing all safety instructions and adhering to all danger, warning, and caution symbols. Please save these instructions for future reference and record the model, serial number, and purchase date of your Fill-Rite meter. Please register your Fill-Rite product via [info.fillrite.com/product\\_registration](http://info.fillrite.com/product_registration).

**IMPORTANT RETURN POLICY**

**Please do not return this product to the store.** For all warranty and product questions, please contact Technical Support at 1 (800) 720-5192 or via email at [FillRiteTech@fillrite.com](mailto:FillRiteTech@fillrite.com) (M-F, 8 AM – 5 PM ET).

MODEL#	
SERIAL#	
PURCHASE DATE:	



## About This Manual

---

From initial concept and design through final production, your Fill-Rite product is built to provide years of trouble-free use. To ensure the safety of yourself and those around you, it is critical that this manual is read in its entirety prior to attempting to install or operate your new purchase. We strongly urge that any installer and operator become familiar with the terms, diagrams, and technical data in this manual and pay close attention to any DANGER, WARNING, CAUTION, or NOTICE information. At Fill-Rite, your satisfaction with our products is paramount to us. If you have questions or need assistance with your product, please contact us at 1 (800) 720-5192 or via email at [FillriteTech@fillrite.com](mailto:FillriteTech@fillrite.com) (M-F, 8 AM – 5 PM ET).

## Symbols and Definitions

---



Indicates a hazardous situation which, if not avoided, will result in death or serious injury.



Emphasizes an area in which personal injury or even death may result from failure to follow instructions properly. Mechanical damage may also occur.



Failure to observe a “Caution” may cause damage to the equipment.



These boxes contain information that illustrates a point that may save time, or be key to proper operation, or clarifies a step.

## General Description

---

The TT10 Series Meters are electronic turbine meters suitable for use in Hazardous Locations and extreme temperatures.

The TT10 Meters feature advanced electronics that eliminate false counts in high vibration and mobile applications without sacrificing the ability to meter at low flows.

The meter can store and display the current metered amount (batch total), or cumulative metered amount (totalizer) in any of five user selectable units (ounces, pints, quarts, liters, and gallons).

The meter may be easily adjusted for different fluids by selecting a calibration factor from one of 20 settings.

Power is supplied by two replaceable AA alkaline batteries.

## Safety Information

---



To ensure safe and efficient operation, it is essential to read and follow each of the following warnings and precautions.

1. Fuels and Chemicals flowing through the meter may be harmful to your health. Use and disposal of these products is controlled by federal, state, or local laws and procedures.
2. Conform to fluid manufacturer’s recommended handling procedures when using product and when cleaning meter.
3. Do not exceed an internal meter pressure.
4. Improper use or installation of this product can cause serious bodily injury or death.
5. Ensure the piping and hoses connected to the meter are properly grounded when metering or using near flammable fluids.
6. **DO NOT** install additional foot or check valves without use of a pressure relief valve; otherwise the meter may rupture.
7. To avoid build up of electrostatic discharge, please clean with damp cloth only.
8. The meter body is made of aluminum alloy. Avoid impact or friction on meter body.



Wear proper safety equipment when handling hazardous fluids.

## TT10 Technical Information

**Flow Ports:** 1" NPT or BSPP female inlet and outlet

**Flow Range:** 2 to 35 GPM / 7.6 to 132.5 LPM

**Working Pressure (TT10A):** 50 PSI (3.4 Bar) MAX UL / 300 PSI (20.7 Bar) Burst

**Working Pressure (TT10P):** ≤120°F (49°C): 125 PSI (8.6 Bar),  
>120°F (49°C): 50 PSI (3.5 Bar)

**Storage Temperature (Liquids not Present):** -40 to 140°F (-40 to 60°C)

**Operating Temperature (TT10A):** -40 to 140°F (-40 to 60°C)

**Operating Temperature (TT10P):** -15 to 140°F (-26 to 60°C)

**Measurement Accuracy:** ±1.0% (after field calibration)

**Measurement Repeatability:** ±0.30% (batch sizes ≥ 2 gallons)

**Measurement Units:** Ounce, pint, quart, liter, gallon

**Wetted Materials (TT10A - Fuel):** 304/316 stainless steel, aluminum, acetal, gold

**Wetted Materials (TT10P - Chemical):** 304/316 stainless steel, polypropylene, UHMWPE, gold

**Totalizer Range:** 0 - 90,000,000 units

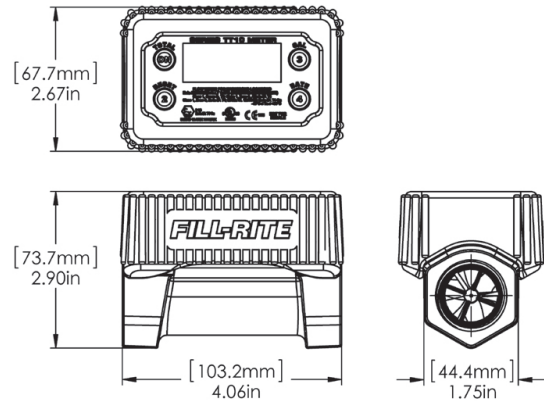
**Batch Range:** 0.00 - 9999 units (blinks when batch exceeds 9999)

**Display:** -40 to 140°F (-40 to 60°C)

**Power:** 2 approved alkaline batteries (see Battery Replacement section)

**Memory:** Preserves meter/calibration totals when replacing batteries

**Safety:** Intrinsically safe for use in hazardous locations



## Fluid/Viscosity Compatibility

The TT10 Series meters will handle most fuels with viscosities in the range of 0.4 cSt to 79 cSt.

You may meter fluids that exceed a viscosity of 79 cSt, but accuracy will be limited to the calibration flow rate. Set the meter for CAL 19 and follow the calibration described in this manual.

If in doubt about compatibility of a specific fluid, contact the supplier of the fluid to check for any adverse reactions to the listed materials in the Technical Information section of this manual.

Approved Fluids:

- Gasoline\*
- DEF (AUS32)\*\*
- Diesel\*
- Kerosene\*
- Herbicides\*\*†
- Hexane\*
- Heptane\*
- Mineral Spirits
- Non-Potable Fresh Water
- Pesticides\*\*†

\*Compatible with TT10A fuel models only

\*\*Compatible with TT10P chemical models only

†Contact the chemical supplier for wetted materials and viscosity compatibility

## Installation

### NOTICE

Excess sealant tape or thread compound upstream of the meter can break free and jam or impair the rotor and cause meter failure. Use of an appropriate amount of thread compound is the preferred method of installation.

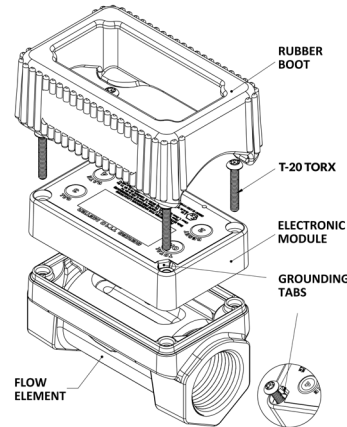
Use a compatible sealant tape or thread compound on all threaded joints.

1. Determine correct direction for fluid flow and point the arrow on the underside of the meter body in that direction. *Installing the meter in the wrong direction of flow will significantly impact the performance of the meter.*
2. Thread the hose or pipe into ports until snug. Be careful not to cross thread when starting threads or over-tighten the meter.

## Electronic Module Orientation

The display can be rotated 180° for user preference.

1. Remove protective rubber boot and set aside.
2. Remove the 4 screws retaining electronic module using a T-20 Torx driver.
3. Remove module and rotate 180°. Ensure that foam pad under batteries is reinstalled correctly if it falls out. This is critical to ensure batteries are not dislodged if meter is exposed to rough handling.
4. Reinstall the 4 screws. Torque screws until module is fully seated. Recommended installation torque is 5-10 in-lb (0.6-1.1 Nm). Over torquing will crack module.
5. Reinstall the protective rubber boot.



**CAUTION**

When reinstalling screws for electronic module, ensure grounding tabs are captured under heads of screws to ensure proper ground and protection against static discharge when handling meter.

## Operational Functions



Turns meter on and displays accumulated total while pressed. If accumulated total is larger than 9999, numbers will scroll across screen in 4 digit groups.



Hold for 3 seconds to reset current total to zero. Also reverts to normal operating mode when in **CAL** or **FLSH** mode.



Hold for 3 seconds to allow changes in calibration/fluid factor (displayed in bottom left). Repeatedly pressing will increment number up to 19 and then back to zero. When desired number is displayed, press button **2** to lock in new number and return to normal operation. Reference Table 1 for specifics.



Hold for 3 seconds to show active flow rate. Press button **4** again to resume normal operation. Meter will continue to count volume while flow rate is displayed.

**NOTE:** Meter display will automatically turn off after 30 seconds of inactivity. It will turn on when flow resumes or any button is pushed. No data is lost during periods of inactivity

## Changing Unit of Measure

Unit of measure can be changed to ounces (OZ), pints (PT), quarts (QT), gallons (GAL), or liters (LITER) without recalibrating.

1. Hold buttons **2** and **4** for three seconds. Display will show firmware version.
2. Press button **3**. Display will show current unit.
3. To change units, press **(ON)** button repeatedly until desired unit is displayed.
4. Press button **2** to lock in selection. Display will show the firmware version.
5. To return to normal operating mode, press button **2** again.
6. Unit selected will display. Current or accumulated total will update to reflect new unit.

## Press Calibration/Fluid Type Factor (CAL)

The TT10 Series Meters provide 20 preset factors for different fluid types/viscosities.

Use of calibration factors is intended to provide the most accurate metering solution for a specific fluid. A CAL factor of 0 is for use with the thinnest fluids and increases for higher viscosity fluids.

1. Press and hold button **3** for three seconds. The current dispensed count value will disappear and only the CAL icon and the current value will be displayed.
2. Repeatedly pushing button **3** will increment the number up to 19, then return back to zero.
3. After the desired fluid factor has been selected, press button **2** to lock in the fluid factor and return the meter to normal operating mode.

**Table 1: CAL Factor Table for Fluids at 70°F / 21°C**

Fluid	cSt	Cal	Fluid	cSt	Cal	Fluid	cSt	Cal
Heptane	0.36	<b>0</b>	Kerosene	2.62	<b>7</b>	Ethylene Glycol	19.1	<b>14</b>
	0.48	<b>1</b>	Diesel	3.48	<b>8</b>	2,4-D	25.4	<b>15</b>
Gasoline	0.63	<b>2</b>	B100	4.62	<b>9</b>	Glyphosphate	33.7	<b>16</b>
	0.84	<b>3</b>		6.15	<b>10</b>	Atrazine 4L	44.8	<b>17</b>
Water/DEF	1.12	<b>4</b>	Jet Fuel	8.16	<b>11</b>	Propylene Glycol	59.5	<b>18</b>
	1.48	<b>5</b>		10.8	<b>12</b>	10W-30 Oil/ATF	79.0	<b>19</b>
Mineral Spirits	1.98	<b>6</b>		14.4	<b>13</b>			

**NOTE:** Use of the CAL/Fluid factor is independent from performing a calibration against a known volume. The meter is calibrated at the factory, but performing a field calibration may further improve meter accuracy.

## Fluid Calibration

Fluid calibration requires a container of a known volume at least 5 gallons or larger that is compatible with the fluid being metered. A larger volume may be used and may improve calibration accuracy, but do not exceed 99.99 units of measure.

**NOTE:** Before performing a fluid calibration, ensure you have selected the closest matching CAL/fluid factor to ensure the best meter accuracy.

1. Press the **2** and **4** buttons at the same time and hold for three seconds. Display will show the firmware version.
2. Press button **3** to enter calibration mode. Unit of measure will be displayed.
3. Press button **3**. The display will show "FILL".
4. Dispense fluid into container. "FILL" will blink on the display when flow is detected.
5. After dispensing fluid, press the **ON** button. Left digit of the display will blink ("00.00").
6. Press button **4** to increment digit to the amount of fluid dispensed (e.g. "05.00"). Press the **ON** button to move to right. Press button **2** to start back at left-most digit if needed.
7. After number is loaded, press the **ON** button again to accept entered volume.
8. Display now shows the configured **CAL** factor.
9. Press the **ON** button again and the firmware version will be displayed.
10. Press the **2** button again to return to normal operating mode.

**NOTE:** If value entered is out of an acceptable range, display will read "Err0" and meter will revert to previous settings. See Table 2 on page 8 for the Troubleshooting Guide.

If you are metering in ounces, pints, or quarts, it may be easier to switch the meter to a larger unit of measure such as gallons or liters for the calibration process and then change back to the desired unit of measure.

## Flush Mode (FLSH)

This mode allows the user to flush the meter without adding volume to the totalizer. It is useful for cleaning or switching between different liquids to maintain measurement accuracy.

1. Hold buttons 3 and 4 for three seconds. Meter will display "FLSH".
2. Press button 2 to return to normal operating mode.

## Reset Accumulated Total

1. Press and hold buttons 2 and 4 for three seconds. Current firmware version will be displayed.
2. Press the **ON** button to display the accumulated total. If over 9999 units, the accumulated total will scroll across the display.
3. Hold buttons **ON** and 4 together for five seconds to reset the accumulated total.
4. Press the 2 button twice to return to normal operating mode.

## K-Factor Check

You can check the internal calibration factor for the meter. The displayed value is the number of sensor counts per selected unit of measure and CAL/Fluid factor. *The factory may ask you for this value if troubleshooting the Meter.*

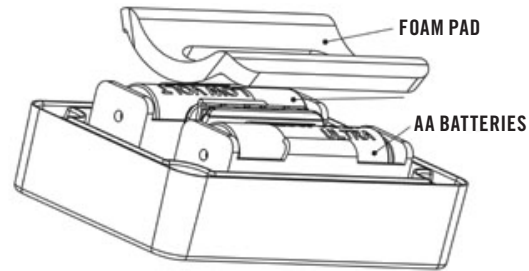
1. Hold buttons 3 and 4 for three seconds. The Meter will display "FLSH".
2. Press and hold buttons **ON** and 3 together. The number of counts per unit of measure will be displayed.
3. Press button 2 to return to normal operating mode.

## Battery Replacement

Batteries should be replaced when the **LOW** battery icon begins to blink on the display. The meter totals, configuration, and calibration are preserved while the batteries are being replaced, so there is no need to recalibrate afterwards.

The batteries are accessed by removing the display as described in the section showing how to rotate the display. The Battery Foam may be stuck to the batteries. Carefully remove it and reinstall at assembly. The Battery Foam protects the batteries and prevents them from becoming dislodged if the meter is handled roughly.

Pay attention to the polarity of the batteries as marked inside the battery holder. The meter will not operate if the batteries are installed incorrectly and damage may occur.



**WARNING**

When replacing batteries, make the area safe of explosive vapors or move the meter electronics to a safe area before replacing them. To reduce the risk of explosion, **DO NOT** mix old batteries with new batteries or mix batteries of different manufacturers.

Batteries may **ONLY** be replaced with the following:

- Duracell MN1500
- Duracell QU1500
- Energizer E91

## Maintenance and Storage

If the meter will be stored for an extended period of time without use and is being used with a fluid that may leave a residue, it should be flushed with a compatible fluid to prevent sticking and binding of the turbine assembly.

The exterior of the meter may be wiped down with a mild water based detergent and damp cloth to clean the display. **Do not use a power washer to clean the meter.**

**NOTICE**

Use of compressed air WILL cause permanent damage to the meter. Always use a gentle stream of compatible fluid to rinse the interior of the meter.

## Troubleshooting Guide

Table 2

Problem	Possible Cause	Solution	Notes
Meter will not turn on	<ul style="list-style-type: none"> <li>• Dead batteries</li> <li>• Damaged electronics</li> </ul>	<ul style="list-style-type: none"> <li>• Replace batteries</li> <li>• Replace the meter</li> </ul>	Seal to electronics is broken if the display is removed or punctured.
Flashing decimals	Counter has exceeded 9999 units	Reset display to zero by pressing and holding button 2	Meter will continue to operate normally.
Flashing BAT Icon	Low batteries	Replace batteries	See Battery Replacement section
Leaking fluid at the inlet / outlet port	<ul style="list-style-type: none"> <li>• Needs thread sealant</li> <li>• Cross-threaded port</li> </ul>	<ul style="list-style-type: none"> <li>• Add sealant to the joint</li> <li>• Replace the meter</li> </ul>	
Fluid flows; meter will not count	<ul style="list-style-type: none"> <li>• Turbine is jammed</li> <li>• Meter failure</li> </ul>	<ul style="list-style-type: none"> <li>• Flush the meter</li> <li>• Replace the meter</li> </ul>	
Meter reading is not correct	<ul style="list-style-type: none"> <li>• Air is in the system</li> <li>• Meter is installed backwards</li> <li>• Fluid viscosity changed</li> <li>• Wrong CAL/fluid factor</li> <li>• Poor calibration</li> </ul>	<ul style="list-style-type: none"> <li>• Ensure meter is full of liquid at all times</li> <li>• Correct flow direction of the meter</li> <li>• Use correct CAL/factor</li> <li>• Recalibrate</li> </ul>	Meter will count air. Fluid viscosities will change with temperature.
Meter is not consistent / repeatable	<ul style="list-style-type: none"> <li>• Air is in the system</li> <li>• Meter is installed backwards</li> <li>• Particulates in the fluid</li> <li>• Turbine is gummed up</li> <li>• Operating outside flow range of meter</li> </ul>	<ul style="list-style-type: none"> <li>• Ensure meter is full of liquid at all times</li> <li>• Correct flow direction of the meter</li> <li>• Flush the meter</li> <li>• Put a screen in front of meter</li> <li>• Operate within flow range of meter</li> </ul>	40 mesh minimum inlet screen
Err0	<ul style="list-style-type: none"> <li>• Calibration error</li> <li>• Meter may have excessive wear</li> </ul>	<ul style="list-style-type: none"> <li>• Recalibrate with a more accurate container</li> <li>• Replace the meter</li> </ul>	Indicates fluid calibration accurate container is out of acceptable range. Volumetric container may not be accurate or there is air in the system. Meter may have excessive wear.
Err1	Damaged electronics or software error	<ul style="list-style-type: none"> <li>• Press and hold button 2 to reset counter and then recalibrate meter</li> <li>• Replace the meter</li> </ul>	
Err2	Bad EEPROM	Replace the meter	Meter still functions but totals and calibration will be lost if batteries are removed.



## Regulatory

### Safety Testing Approvals

The Fill-Rite TT10 Series Meters have been tested for compliance to the standards set forth by Underwriters Laboratories (UL), UL Canada, ATEX, and other testing organizations. **To determine which specific compliances apply to your particular meter, refer to the faceplate for information and compliance logos.**

#### FLOW METER FOR HAZARDOUS LOCATIONS Exia INTRINSICALLY SAFE

Class I, Group D, T4; Class I, Zone 0, AEx ia IIA T4 Ex ia IIA T4; IECEx UL 16.0147X; Ex ia IIA T4 Ga;  
-40°C < Ta < +60°C



DEMKO 16 ATEX 1787X



### CE Certification Information

The TT10 Series meters bearing the CE mark have been certified to the following European Directives:

2011/65/EU: Restriction of the use of certain hazardous substances in electrical and electronic equipment.

2014/30/EU: Electromagnetic Compatibility

**The following standards were used to test and show compliance:**

EN IEC 60079-0: 2018

IEC 60079 Edition 7

EN 60079-11: 2012

IEC 60079-11 Edition 6

UL60079-0 Sixth Edition

UL60079-11 Sixth Edition

CAN/CSA - C22.2 No 157-92

CAN/CSA - C22.2 No 60079-0:2014

CAN/CSA - C22.2 No 60079-11:2015

### EMISSIONS

EN 55011:2016+A1:2017 Group 1, Class B, Industrial, Scientific, and Medical (ISM) Equipment

### IMMUNITY

EN 61326-1:2013, Electrical Equipment for Measurement, Control, and Laboratory Use

IEC 61000-4-2: 2009 ESD

IEC 61000-4-3: 2006 A1:2008 & A2:2010 Radiated Immunity

IEC 61000-4-8: 2010 Magnetic Field

# **FILL-RITE**<sup>®</sup>

**A GORMAN-RUPP COMPANY**

**Fill-Rite Company**  
8825 Aviation Drive  
Fort Wayne, Indiana 46809 USA

**T** 1 (800) 720-5192  
1 (260) 747-7524  
**F** 1 (800) 866-4681



[fillrite.com](http://fillrite.com) | [sotera.com](http://sotera.com) | [gormanrupp.com](http://gormanrupp.com)

# FILL-RITE®

## COMPTEUR À TURBINE EN LIGNE TT10A ET TT10P

Manuel d'utilisation et de sécurité



MADE IN   
USA  
WITH GLOBAL MATERIALS

  
GORMAN-RUPP  
COMPANY

**Table des matières**

À propos de ce manuel ..... 3

Symboles et définitions ..... 3

Description générale..... 3

Consignes de sécurité ..... 3

Données techniques TT10A (carburants) ..... 4

Fluides / viscosités compatibles..... 4

Installation ..... 4

Orientation du module électronique..... 5

Fonctions d'exploitation..... 5

Changer l'unité de mesure..... 5

Facteur d'étalonnage / type de liquide (CAL) ..... 6

Étalonnage de liquide ..... 6

Mode de purge (FLSH) ..... 7

Remettre le total cumulé à zéro..... 7

Vérifier le facteur K..... 7

Remplacement des piles..... 7

Entretien et entreposage ..... 7

Guide de dépannage..... 8

Réglementation ..... 9

**Merci!**

Merci de votre fidélité à la marque de pompes de transfert de carburant Fill-Rite. Votre sécurité est importante, veuillez donc lire et bien comprendre les procédures décrites dans ce manuel. Protégez-vous ainsi que ceux qui vous entourent en observant toutes les consignes de sécurité et en respectant tous les symboles de danger, d'avertissement et d'avertissement. Veuillez conserver ces instructions pour référence future et enregistrer le modèle, le numéro de série et la date d'achat de votre lecteur Fill-Rite. Veuillez enregistrer votre produit Fill-Rite via [info.fillrite.com/product\\_registration](http://info.fillrite.com/product_registration).

**POLITIQUE DE RETOUR IMPORTANTE**

Veuillez ne pas retourner ce produit au magasin. Pour toutes les questions sur la garantie et les produits, veuillez contacter le support technique au 1 (800) 720-5192 ou par courriel à [FillRiteTech@fillrite.com](mailto:FillRiteTech@fillrite.com) (du lundi au vendredi, de 8 h 00 à 17 h 00 HE).

N° DE MODÈLE	
N° DE SÉRIE	
DATE D'ACHAT :	



## À propos de ce manuel

De la conception et de la conception initiales à la production finale, votre produit Fill-Rite est conçu pour offrir des années d'utilisation sans problème. Pour assurer votre sécurité et celle de ceux qui vous entourent, il est essentiel que ce manuel soit lu dans son intégralité avant de tenter d'installer ou d'utiliser votre nouvel achat. Nous recommandons vivement à tout installateur et opérateur de se familiariser avec les termes, schémas et données techniques de ce manuel et de prêter une attention particulière à toute information DANGER, AVERTISSEMENT, ATTENTION ou AVIS. Chez Fill-Rite, votre satisfaction avec nos produits est primordiale pour nous. Si vous avez des questions ou avez besoin d'aide avec votre produit, veuillez nous contacter au 1 (800) 720-5192 ou par e-mail à FillriteTech@fillrite.com (M-V, 8h00 - 17h00 HE).

## Symboles et définitions



Indique une situation dangereuse qui, si elle n'est pas évitée, entraînera la mort ou des blessures graves.



Souligne un domaine dans lequel des blessures corporelles ou même la mort peuvent résulter du non-respect des instructions. Des dommages mécaniques peuvent également survenir.



Le non-respect d'une « Attention » peut endommager l'équipement.



Ces encadrés contiennent des informations qui illustrent un point qui peut faire gagner du temps, ou être la clé d'un bon fonctionnement, ou encore éclairer une étape.

## Description générale

Les compteurs série TT10 sont des compteurs électroniques à turbine utilisables dans les milieux dangereux et à des températures extrêmes.

Les compteurs TT10 comportent une électronique de pointe qui élimine les erreurs de mesure dans les applications à fortes vibrations et mobiles sans sacrifier sa capacité à mesurer aux bas débits.

Le compteur peut enregistrer et afficher la quantité mesurée en cours (total courant) ou la quantité mesurée cumulée (totalisateur) dans l'une des cinq unités sélectionnables par l'utilisateur (once, chopine, quart, litre ou gallon).

Le compteur est facile à ajuster en fonction du liquide à mesurer par la sélection d'un facteur d'étalonnage parmi 20 réglages possibles.

L'alimentation électrique est assurée par deux piles alcalines AA jetables.

## Consignes de sécurité



Pour assurer la sécurité et le bon fonctionnement du matériel, il est essentiel de lire et de respecter toutes les mises en garde et précautions suivantes.

1. Les carburants et produits chimiques s'écoulant à travers le compteur peuvent être dangereux pour la santé. L'utilisation et l'élimination de ces produits sont régies par les lois et directives en vigueur.
2. Respecter les procédures de manutention préconisées par le fabricant du liquide lors de l'utilisation du produit et du nettoyage du compteur.
3. Ne pas dépasser une pression interne du compte de 50 PSI (3,5 bar) pour les modèles TT10A et de 125 PSI (8,6 bar) pour les modèles TT10P.
4. Une utilisation ou une installation incorrecte de ce produit peut entraîner des blessures corporelles graves ou la mort.
5. Vérifier que la tuyauterie et les flexibles raccordés au compteur sont correctement mis à la terre durant le comptage ou l'utilisation à proximité de liquides inflammables.
6. NE PAS installer de clapet de pied ou antiretour supplémentaire sans une soupape de surpression, sous peine de rupture du compteur.
7. Pour éviter l'accumulation des décharges d'électricité statique, nettoyer avec un chiffon humide seulement.
8. Le corps du compteur est en alliage d'aluminium. Éviter les chocs ou ruptures sur le corps du compteur.



Porter un équipement de sécurité adapté pour manipuler des liquides dangereux.

## Données techniques TT10A [carburants]

**Raccords:** Raccords d'entrée et de sortie femelles de 1 po NPT ou BSPP

**Débit:** 7,6 à 132,5 l/min (2 à 35 gal U.S./min)

**Pression d'exploitation (TT10A):** 50 PSI (3,4 bar) MAX UL 300 PSI (20,7 bar) éclatement

**Pression d'exploitation (TT10P):** ≤49°C (120°F): 8,6 Bar (125 psi),  
> 49°C (120°F): 3,5 Bar (50 psi)

**Température d'entreposage:** -40 °C à 60 °C (-40 °F à 140 °F)  
(sans liquide)

**Température d'exploitation (TT10A):** -40 °C à 60 °C (-40 °F à 140 °F)

**Température d'exploitation (TT10P):** -26 °C à 60 °C (-15 °F à 140 °F)

**Précision de mesure:** ±1,0 % (après étalonnage de terrain)

**Répétabilité des mesures:** ±0,30 % (tailles de lots ≥ 7,5 l [2 gal])

**Unités de mesure:** Once, chopine, quart, litre, gallon

**Matériaux mouillés (TT10A):** Acier inoxydable 304/316, Aluminium, Acétal, or

**Matériaux mouillés (TT10P):** Acier inoxydable 304/316, Aluminium, polypropylène, UHMWPE, or

**Plage de totalisateur:** 0 à 90 000 000 unités

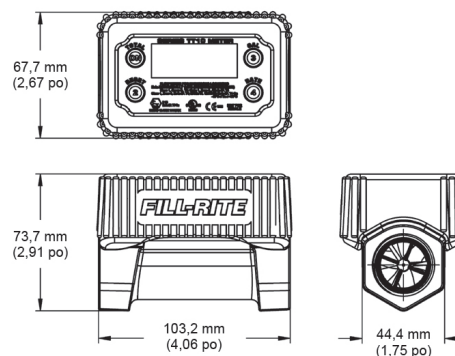
**Plage de lot:** 0,00 à 9999 unités (clignote lorsque le lot dépasse 9999)

**Affichage:** -40 °C à 60 °C (-40 °F à 140 °F)

**Alimentation:** 2 piles alcalines approuvées. Voir la section Remplacement des piles du manuel

**Mémoire:** Les totaux et l'étalonnage du compteur sont préservés lorsque les piles sont changées

**Sécurité:** Électronique à sécurité intrinsèque pour une utilisation dans les milieux dangereux



## Fluides / viscosités compatibles

Los medidores de la serie TT10A manipulan la mayoría de los combustibles con viscosidades en el rango de 0,4 cSt a 79 cSt.

Puede medir líquidos con una viscosidad superior a 79 cSt, pero la precisión se limitará a la velocidad de flujo de calibración. Ajuste el medidor para CAL 19 y siga los pasos de calibración que se indican en este manual.

Si tiene dudas sobre la compatibilidad de líquidos específicos, comuníquese con el proveedor del líquido para verificar cualquier reacción adversa con los materiales que se indican en la sección Información técnica de este manual.

Líquidos aprobados:

- Essence\*
- DEF (AUS32)\*\*
- Diesel\*
- Kérosène\*
- Herbicides\*\*†
- Hexane\*
- Heptane\*
- Essences minérales
- Eau douce non potable
- Pesticides\*\*†

\*Compatible uniquement avec les modèles à carburant TT10A

\*\*Compatible uniquement avec les modèles chimiques TT10P

†Contactez le fournisseur de produits chimiques pour les matériaux mouillés et la compatibilité de la viscosité

## Installation

### AVIS

Les excédents de ruban ou pâte d'étanchéité pour filetage en amont du compteur peuvent se détacher, obstruer ou entraver le rotor et provoquer une défaillance du compteur. L'utilisation de la quantité appropriée de pâte d'étanchéité est la méthode de pose préférentielle.

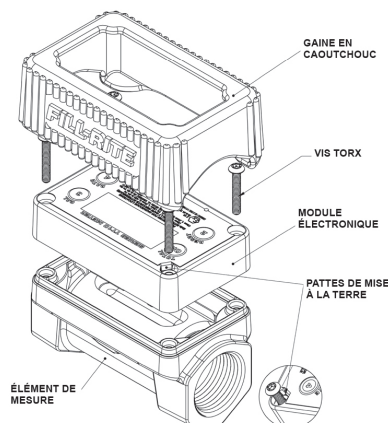
Utiliser du ruban ou de la pâte d'étanchéité compatible sur tous les raccords filetés.

1. Déterminer le sens d'écoulement correct du liquide et pointer la flèche sur le dessous du corps de compteur dans ce sens. *La pose du compteur dans le mauvais sens d'écoulement entraverait fortement le fonctionnement du compteur.*
2. Visser le tuyau souple ou rigide à fond dans les raccords. Prendre garde de ne pas fausser le filetage ni de serrer excessivement le compteur.

## Orientation du module électronique

L'affichage peut être orienté pour un écoulement de droite à gauche ou de gauche à droite.

1. Retirer la gaine protectrice en caoutchouc et la mettre de côté.
2. Déposer les 4 vis de fixation du module électronique à l'aide d'un tournevis Torx T-20.
3. Détacher le module et le tourner de 180°. Veiller à remettre le tampon en mousse correctement en place sous les piles le cas échéant. C'est essentiel pour éviter que les piles se délogent si le compteur est fortement secoué.
4. Remonter les 4 vis. Elles doivent être suffisamment serrées pour attacher fermement le module. Le couple de serrage recommandé est de 0,6 à 1,1 Nm (5 à 10 po-lb). *Un serrage excessif peut fissurer le module.*
5. Remonter la gaine protectrice en caoutchouc.



### ⚠ ATTENTION

Lors du remontage des vis sur le module électronique, vérifier que les pattes de mise à la terre sont prises sous les têtes des vis. Cela assure la bonne mise à la terre et la protection contre les décharges d'électricité statique lors de la manipulation du compteur.

## Fonctions d'exploitation



- Met le compteur en marche.
- Affiche le total cumulé pendant qu'il est enfoncé. Si le total cumulé est supérieur à 9999, les chiffres défilent à l'écran par groupes de 4 chiffres.



Tenir enfoncé pendant 3 secondes pour remettre le total courant à zéro. Permet aussi de revenir au mode normal de fonctionnement depuis le mode **CAL** ou **FLSH**.



Tenir enfoncé pendant 3 secondes pour changer le liquide/facteur d'étalonnage affiché dans le coin inférieur gauche. Lorsqu'on appuie ensuite de façon répétée, la valeur augmente progressivement jusqu'à 19 puis revient à zéro. Lorsque la valeur souhaitée est affichée, appuyer sur la touche **2** pour valider la nouvelle valeur et revenir au fonctionnement normal. Voir les valeurs spécifiques à la Table 1.



Tenir enfoncé pendant 3 secondes jusqu'à afficher l'icône RATE. Le débit actif s'affiche. Appuyer de nouveau sur la touche **4** pour revenir au fonctionnement normal. Le compteur continue de cumuler le volume pendant que le débit est affiché.

**REMARQUE:** L'affiche du compteur s'éteint automatiquement au bout de 30 secondes d'inactivité pour économiser les piles. Il se rallume lorsque l'écoulement reprend ou que l'une des touches est enfoncée. Aucune donnée n'est perdue durant les périodes d'inactivité.

## Changer l'unité de mesure

L'unité de mesure peut être changée en once (OZ), chopine (PT), quart (QT), gallon (GAL) ou litre (LITER) sans réétalonner le compteur.

1. Tenir les touches **2** et **4** enfoncées pendant trois secondes. L'écran affiche la version du micrologiciel.
2. Appuyer sur la touche **3**. L'écran affiche l'unité de mesure courante.
3. Pour changer d'unité, appuyer sur la touche **ON** de façon répétée jusqu'à afficher l'unité souhaitée.
4. Appuyer sur la touche **2** pour valider le choix. L'écran affiche la version du micrologiciel.
5. Pour revenir au mode normal de fonctionnement, appuyer de nouveau sur la touche **2**.
6. L'unité sélectionnée est affichée. Le total courant ou cumulé est actualisé pour refléter la nouvelle unité de mesure.

## Facteur d'étalonnage / type de liquide (CAL)

Les compteurs série TT10 présentent 20 facteurs prédéfinis pour différents types de liquide ou viscosités.

L'utilisation des facteurs d'étalonnage vise à offrir la solution de mesure la plus précise pour un liquide particulier. Le facteur d'étalonnage est de 0 pour les liquides les plus fluides et augmente avec la viscosité.

1. Tenir la touche **3** enfoncée pendant 3 secondes. La valeur de mesure courante s'efface et seuls l'icône CAL et la valeur d'étalonnage en cours s'affichent.
2. Lorsqu'on appuie de façon répétée sur la touche **3**, la valeur augmente progressivement jusqu'à 19 puis revient à zéro.
3. Une fois que le facteur du liquide souhaité a été sélectionnée, appuyer sur la touche **2** pour valider le facteur d'étalonnage et revenir au mode normal de fonctionnement du compteur.

Les facteurs CAL et viscosités indiqués dans la table ci-dessous correspondent à des liquides à 21 °C / 70 °F.

Table 1 : Table des facteurs CAL								
Liquide	cSt	Cal	Liquide	cSt	Cal	Liquide	cSt	Cal
Heptane*	0.36	0	Kérosène	2.62	7	Éthylèneglycol	19.1	14
	0.48	1	Diesel	3.48	8	2,4-D**	25.4	15
Essence*	0.63	2	B100	4.62	9	Glyphosate**	33.7	16
	0.84	3		6.15	10	Atrazine 4L**	44.8	17
Eau / FED	1.12	4	Carburant aviation*	8.16	11	Propylène glycol	59.5	18
	1.48	5		10.8	12	Huile 10W-30 / liquide de boîte	79.0	19
Essences minérales	1.98	6		14.4	13			

\*Compatible uniquement avec les modèles à carburant TT10A

\*\*Compatible uniquement avec les modèles chimiques TT10P

**REMARQUE:** L'utilisation du facteur CAL est indépendante de l'exécution d'un étalonnage à un volume connu. Le compteur est étalonné en usine, mais un étalonnage sur le terrain peut améliorer encore la précision de mesure.

## Étalonnage de liquide

L'étalonnage de liquide nécessite un récipient de volume connu de 20 litres (ou 5 gallons) ou plus qui est compatible avec le liquide à mesurer. Un volume plus important peut être utilisé pour améliorer la précision de l'étalonnage, mais veiller à ne pas dépasser 99,99 unités de mesure.

**REMARQUE:** Avant d'effectuer un étalonnage de liquide, veiller à avoir sélectionné le facteur CAL/type de liquide le proche pour assurer une précision optimale du compteur.

1. Tenir les touches **2** et **4** enfoncées pendant trois secondes. L'écran affiche la version du micrologiciel.
2. Appuyer sur la touche **3** pour accéder au mode d'étalonnage. L'unité de mesure est affichée.
3. Appuyer sur la touche **3**. L'écran affiche « **FILL** ».
4. Pomper le liquide dans le récipient. « **FILL** » clignote à l'écran lorsque l'écoulement est détecté.
5. Après avoir rempli le récipient de liquide, appuyer sur la touche **ON**. Le chiffre de gauche clignote (**00.00**).
6. Appuyer sur la touche **4** pour régler la valeur sur la quantité de liquide effectivement distribuée (exemple : **05.00**). Appuyer sur la touche **ON** pour se déplacer vers la droite. En cas d'erreur, appuyer sur la touche **2** pour recommencer avec le chiffre de gauche.
7. Après avoir chargé une valeur, appuyer de nouveau sur la touche **ON** pour valider le volume saisi.
8. L'écran affiche à présent le facteur **CAL** configuré.
9. Appuyer de nouveau sur la touche **ON** et la version du micrologiciel s'affiche.
10. Appuyer de nouveau sur la touche **2** pour revenir au mode normal de fonctionnement.

**REMARQUE:** Si la valeur saisie est en dehors des limites admissibles, l'écran affiche « Err0 » et le compteur revient aux réglages antérieurs. Pour plus de renseignements, voir le Guide de dépannage.

Si l'unité de mesure sélectionnée est l'onc, la chopine ou le quart, il peut être plus facile de régler le compteur sur une unité plus grande telle que le gallon ou le litre pour les besoins de l'étalonnage, puis de revenir à l'unité de mesure souhaitée.



## Mode de purge (FLSH)

Le mode de purge permet de purger le compteur sans ajouter de volume aux totaux cumulés. C'est utile lors du rinçage du compteur avant son entreposage ou lors des changements de liquides si on souhaite conserver des totaux exacts.

1. Tenir les touches ③ et ④ enfoncées pendant trois secondes. Le compteur affiche « FLSH ».
2. Appuyer sur la touche ② pour revenir au mode normal de fonctionnement.

## Remettre le total cumulé à zéro

1. Tenir les touches ② et ④ enfoncées pendant trois secondes. La version actuelle du micrologiciel s'affiche.
2. Appuyer sur la touche ① pour afficher le total cumulé. Si la valeur est supérieure à 9999 unités, le total cumulé défile à l'écran.
3. Tenir les touches ① et ④ enfoncées pendant cinq secondes pour remettre le total cumulé à zéro.
4. Appuyer deux fois sur la touche ② pour revenir au mode normal de fonctionnement.

## Vérifier le facteur K

Il est possible de vérifier le facteur d'étalonnage interne du compteur. La valeur affichée est le nombre d'unités de comptage du capteur par unité de mesure et facteur CAL/type de liquide sélectionnés. *Le fabricant peut demander cette valeur lors du dépannage du compteur.*

1. Tenir les touches ③ et ④ enfoncées pendant trois secondes. Le compteur affiche « FLSH ».
2. Tenir les touches ① et ③ enfoncées simultanément. Le nombre d'unités de comptage par unité de mesure s'affiche.
3. Appuyer sur la touche ② pour revenir au mode normal de fonctionnement.

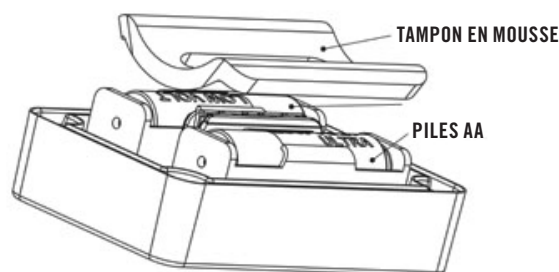
## Remplacement des piles

Les piles doivent être changées lorsque l'icône de décharge des piles clignote à l'écran. Les totaux, la configuration et l'étalonnage du compteur sont conservés lorsque les piles sont changées, il n'est donc pas nécessaire de le réétalonner.

Pour accéder aux piles, démonter l'affichage comme indiqué dans la section Orientation du module électronique.

Le tampon en mousse peut adhérer aux piles. Le retirer avec précaution et le remettre en place au remontage. Le tampon en mousse protège les piles et les batteries et les empêche de se déloger si le compteur est fortement secoué.

Veiller à bien respecter la polarité indiquée à l'intérieur du logement des piles. Le compteur ne fonctionne pas et des dommages sont possibles si les piles ne sont pas si les piles sont installées correctement.



### AVERTISSEMENT

Pour changer les piles, s'assurer de l'absence de toute vapeur explosive ou amener préalablement le module électronique du compteur dans un milieu sans danger. Pour réduire le risque d'explosion, **NE PAS** combiner des piles usagées avec des piles neuves ni combiner des piles de marques différentes.

Les piles devront être remplacées par les modèles suivants SEULEMENT :

- Duracell MN1500
- Duracell QU1500
- Energizer E91

## Entretien et entreposage

Si le compteur doit être entreposé pendant une durée prolongée d'inutilisation et qu'il a été utilisé avec un liquide susceptible de laisser un résidu, il doit être rincé avec un liquide compatible pour éviter le blocage et le grippage de la turbine.

L'extérieur du compteur peut être essuyé avec un chiffon humide et un détergent doux à l'eau pour nettoyer l'affichage. *Ne pas utiliser de nettoyeur haute pression sur le compteur.*

### AVIS

L'utilisation d'air comprimé PROVOQUERA des dommages permanents au compteur. Toujours utiliser un faible jet de liquide compatible pour rincer l'intérieur du compteur.

**Table 2 : Guide de dépannage**

Problème	Cause possible	Solution	Remarques
Le compteur ne s'allume pas	<ul style="list-style-type: none"> <li>• Piles déchargées</li> <li>• Module électronique endommagé</li> </ul>	<ul style="list-style-type: none"> <li>• Changer les piles</li> <li>• Changer le compteur</li> </ul>	Le module électronique perd son étanchéité si l'affichage est démonté ou percé.
Les décimales clignotent	Le compteur a dépassé 9999 unités	Tenir la touche ② enfoncée pour remettre l'affichage à zéro.	Le compteur continue de fonctionner normalement.
Icône BAT clignotant	Piles déchargées	Changer les piles	Voir la section Remplacement des piles.
Fuite de liquide au niveau du raccord d'entrée/sortie	<ul style="list-style-type: none"> <li>• Mauvaise étanchéité du filetage</li> <li>• Filetage du raccord faussé</li> </ul>	<ul style="list-style-type: none"> <li>• Étanchéifier le raccord</li> <li>• Changer le compteur</li> </ul>	
Passage de liquide mais mesure incorrecte	<ul style="list-style-type: none"> <li>• Turbine bloquée</li> <li>• Défaillance du compteur</li> </ul>	<ul style="list-style-type: none"> <li>• Purger le compteur</li> <li>• Changer le compteur</li> </ul>	
Mesure du compteur incorrecte	<ul style="list-style-type: none"> <li>• Air dans le circuit</li> <li>• Compteur monté à l'envers</li> <li>• La viscosité du liquide a changé</li> <li>• Facteur CAL incorrect</li> <li>• Mauvais étalonnage</li> </ul>	<ul style="list-style-type: none"> <li>• Vérifier que le compteur es toujours rempli de liquide</li> <li>• Rectifier le sens d'écoulement du compteur</li> <li>• Utiliser le facteur CAL correct</li> <li>• Réétalonner</li> </ul>	Le compteur est capable de mesurer de l'air. Les viscosités varient avec la température.
Le comptage n'est pas régulier / répétable	<ul style="list-style-type: none"> <li>• Air dans le circuit</li> <li>• Compteur monté à l'envers</li> <li>• Particules dans le liquide</li> <li>• Turbine encrassée</li> <li>• Utilisation en dehors de la plage de débit du compteur</li> </ul>	<ul style="list-style-type: none"> <li>• Vérifier que le compteur est toujours rempli de liquide</li> <li>• Rectifier le sens d'écoulement du compteur</li> <li>• Purger le compteur</li> <li>• Prévoir un tamis en amont du compteur</li> <li>• Utiliser dans la plage de débit du compteur</li> </ul>	Tamis d'admission de maille 40 minimum
Err0	<ul style="list-style-type: none"> <li>• Erreur d'étalonnage</li> <li>• Usure excessive du compteur</li> </ul>	<ul style="list-style-type: none"> <li>• Réétalonner avec un récipient plus précis</li> <li>• Changer le compteur</li> </ul>	Indique que l'étalonnage de liquide est en dehors la plage admissible. Le récipient volumétrique n'est pas précis ou il y a de l'air dans le circuit. Le compteur peut être excessivement usé.
Err1	Électronique endommagée ou erreur logicielle	<ul style="list-style-type: none"> <li>• Tenir la touche ② enfoncée pour remettre le compteur à zéro puis réétalonner</li> <li>• Changer le compteur</li> </ul>	
Err2	EEPROM défectueuse	Changer le compteur	Le compteur fonctionne toujours mais les totaux et l'étalonnage sont perdus si les piles sont retirées.

## Réglementation

---

### Safety Testing Approvals

Les compteurs série TT10 ont été testés en conformité aux normes établies par Underwriters Laboratories (UL), UL Canada, ATEX et d'autres organismes de vérification. **Pour déterminer les conformités spécifiques de ce compteur particulier, voir les indications et les logos de conformité sur la face de l'appareil.**

#### DÉBITMÈTRE POUR MILIEUX DANGEREUX Exia SÉCURITÉ INTRINSÈQUE

Class I, Group D, T4; Class I, Zone 0, AEx ia IIA T4 Ex ia IIA T4; IECEx UL 16.0147X; Ex ia IIA T4 Ga;

-40°C < Ta < +60°C



II 1G  
Ex ia IIA T4 Ga



DEMKO 16 ATEX 1787X

### Informations sur la certification CE

Les compteurs série TT10 portant la marque CE ont été certifiés conformes aux directives européennes suivantes :

2011/65/EU: Limitation de l'utilisation de certaines substances dangereuses dans les équipements électriques et électroniques.

2014/30/EU: Compatibilité électromagnétique

**Les normes suivantes ont été utilisées pour tester et démontrer la conformité :**

#### ÉMISSIONS

EN 55011:2009/A1:2010 Groupe 1, Classe B, Appareils industriels, scientifiques et médicaux

#### IMMUNITÉ

EN 61326-1:2013, Matériels électriques de mesure, de commande et de laboratoire

CEI 61000-4-2: 2009 Décharges électrostatiques

CEI 61000-4-3: 2006 A1:2008 et A2:2010 Immunité aux champs électromagnétiques rayonnés

CEI 61000-4-8: 2010 Champ magnétique

EN 60079-0: 2012 + A11:2013

CEI 60079 6ème édition

EN 60079-11: 2012

CEI 60079-11 6ème édition

UL60079-0 Sixième édition

UL60079-11 Sixième édition

CAN/CSA - C22.2 n° 157-92

CAN/CSA - C22.2 n° 60079-0:2014

CAN/CSA - C22.2 n° 60079-11:2015

UL 25

ULC/ORD-C25

# ***FILL-RITE***®

***A GORMAN-RUPP COMPANY***

**Fill-Rite Company**  
8825 Aviation Drive  
Fort Wayne, Indiana 46809 USA

**T** 1 (800) 720-5192  
**F** 1 (260) 747-7524  
**F** 1 (800) 866-4681



[fillrite.com](http://fillrite.com) | [sotera.com](http://sotera.com) | [gormanrupp.com](http://gormanrupp.com)

# FILL-RITE®

## MEDIDOR DE TURBINA EN LÍNEA TT10A Y TT10P

Manual de operación y seguridad



MADE IN   
USA  
WITH GLOBAL MATERIALS

  
GORMAN-RUPP  
COMPANY

**Tabla de contenido**

Acerca de este manual ..... 3

Símbolos y definiciones ..... 3

Descripción general ..... 3

Información de seguridad ..... 3

Información técnica (combustibles) sobre TT10A..... 4

Compatibilidad de fluidos/viscosidad ..... 4

Instalación ..... 4

Orientación del módulo electrónico..... 5

Funciones operacionales..... 5

Cambio de las unidades de medida ..... 5

Factor de tipo de líquido/calibración de prensa (CAL) ..... 6

Calibración del líquido ..... 6

Modo de enjuague (FLSH) ..... 7

Restablecimiento del total acumulado..... 7

Revisión del factor K..... 7

Reemplazo de las pilas ..... 7

Mantenimiento y almacenamiento ..... 7

Guía de solución de problemas ..... 8

Aspectos regulatorios ..... 9

**¡Gracias!**

Gracias por su lealtad a la marca de bombas de transferencia de combustible Fill-Rite. Su seguridad es importante, así que lea y comprenda completamente los procedimientos establecidos en este manual. Protéjase a sí mismo y a los que lo rodean observando todas las instrucciones de seguridad y respetando todos los símbolos de peligro, advertencia y precaución. Guarde estas instrucciones para referencia futura y registre el modelo, el número de serie y la fecha de compra de su medidor Fill-Rite. Registre su producto Fill-Rite a través de [info.fillrite.com/product\\_registration](http://info.fillrite.com/product_registration).

**POLÍTICA DE DEVOLUCIÓN IMPORTANTE**

Por favor, no devuelva este producto a la tienda. Para todas las preguntas sobre la garantía y el producto, comuníquese con el Soporte técnico al 1 (800) 720-5192 o por correo electrónico a [FillRiteTech@fillrite.com](mailto:FillRiteTech@fillrite.com) (L-V, 8 AM - 5 PM ET).




N.º DE MODELO	
N.º DE SERIE	
FECHA DE COMPRA:	



## Acerca de este manual

Desde el concepto y el diseño inicial hasta la producción final, su producto Fill-Rite está diseñado para brindar años de uso sin problemas. Para garantizar su seguridad y la de quienes lo rodean, es fundamental que lea este manual en su totalidad antes de intentar instalar u operar su nueva compra. Recomendamos enfáticamente que cualquier instalador y operador se familiarice con los términos, diagramas y datos técnicos de este manual y preste mucha atención a cualquier PELIGRO, ADVERTENCIA, PRECAUCIÓN o información AVISO. En Fill-Rite, su satisfacción con nuestros productos es primordial para nosotros. Si tiene preguntas o necesita ayuda con su producto, comuníquese con nosotros al 1 (800) 720-5192 o por correo electrónico a FillriteTech@fillrite.com (de lunes a viernes, de 8 a. m. a 5 p. m., hora del Este).

## Símbolos y definiciones

 <b>PELIGRO</b>	Indica una situación peligrosa que, si no se evita, provocará la muerte o lesiones graves.
 <b>ADVERTENCIA</b>	Hace hincapié en un área en la que pueden producirse lesiones personales o incluso la muerte si no se siguen las instrucciones correctamente. También pueden ocurrir daños mecánicos.
 <b>PRECAUCIÓN</b>	El incumplimiento de una "Precaución" puede causar daños al equipo.
<b>AVISO</b>	Estos cuadros contienen información que ilustra un punto que puede ahorrar tiempo, ser clave para una operación adecuada o aclarar un paso.

## Descripción general



Las unidades de la serie TT10 son medidores electrónicos de turbinas adecuados para su uso en ubicaciones peligrosas y temperaturas extremas. Los medidores TT10 cuentan con componentes electrónicos avanzados que eliminan los conteos falsos en aplicaciones móviles y de alta vibración, sin sacrificar la capacidad de medir en flujos bajos.

El medidor puede almacenar y mostrar la cantidad medida actual (total de lote) o la cantidad medida acumulativa (totalizador) en cualquiera de las cinco unidades que el usuario puede seleccionar (onza, pinta, cuarto de galón, litro y galón).

El medidor se puede ajustar fácilmente para distintos líquidos mediante la selección de un factor de calibración de entre una lista de 20 ajustes.

La energía se suministra mediante dos pilas alcalinas reemplazables tamaño "AA".

## Información de seguridad

 <b>ADVERTENCIA</b>	<p>Para garantizar una operación segura y eficiente, es fundamental leer y respetar todas las precauciones y advertencias que se indican a continuación.</p> <ol style="list-style-type: none"> <li>Los combustibles y las sustancias químicas que fluyen a través del medidor pueden ser nocivos para su salud. El uso y la eliminación de estos productos están controlados mediante procedimientos y leyes locales, estatales o federales.</li> <li>Cumpla los procedimientos de manipulación que recomienda el fabricante cuando use los productos y cuando limpie el medidor.</li> <li>No exceda una presión interna de 3,5 bar (50 psi) en el caso de los modelos TT10A y 8,6 bar (125 psi) en los modelos TT10P.</li> <li>La instalación o el uso incorrectos de este producto pueden provocar lesiones corporales graves o la muerte.</li> <li>Asegúrese de que las tuberías y mangueras conectadas al medidor estén correctamente conectadas a tierra cuando realice la medición o cuando trabaje cerca de líquidos inflamables.</li> <li><b>NO</b> instale una válvula de contención o una válvula de retención adicional sin una válvula de alivio de presión, de lo contrario el medidor podría romperse.</li> <li>Para evitar la acumulación de descarga electrostática, limpie solamente con un paño húmedo.</li> <li>El cuerpo del medidor está fabricado con una aleación de aluminio. Evite los impactos o quiebres en el cuerpo del medidor.</li> </ol>
 <b>PRECAUCIÓN</b>	Use equipos de seguridad adecuados cuando manipule líquidos peligrosos.

## Información técnica (combustibles) sobre TT10A

**Puertos de flujo:** Puertos de salida y entrada, rosca hembra de 1" NPT o BSPP

**Rango de flujo:** 7,6 a 132,5 LPM (2 a 35 GPM [EE. UU.])

**Presión de trabajo (TT10A):** 3,4 bar (50 psi) UL MÁX. 20,7 bar (300 psi) estallido

**Presión de trabajo (TT10P):** ≤49°C (120°F): 8,6 Bar (125 psi),  
> 49°C (120°F): 3,5 Bar (50 psi)

**Temperatura de almacenamiento:** -40 °C a 60 °C (-40 °F a 140 °F) (sin líquidos)

**Temperatura de operación (TT10A):** -40 °C a 60 °C (-40 °F a 140 °F)

**Temperatura de operación (TT10P):** -26 °C a 60 °C (-15 °F a 140 °F)

**Precisión de medición:** ± 1,0 % (después de calibración en terreno)

**Repetibilidad de medición:** ± 0,30 % (tamaños de lotes ≥ 2 galones)

**Unidades de medición:** Onza, pinta, cuarto de galón, litro, galón

**Materiales húmedos (TT10A):** Acero inoxidable 304/316, Acetal, aluminio, oro

**Materiales húmedos (TT10P):** Acero inoxidable 304/316, Acetal, polipropileno, UHMWPE, oro

**Rango del totalizador:** Unidades de 0 a 90.000.000

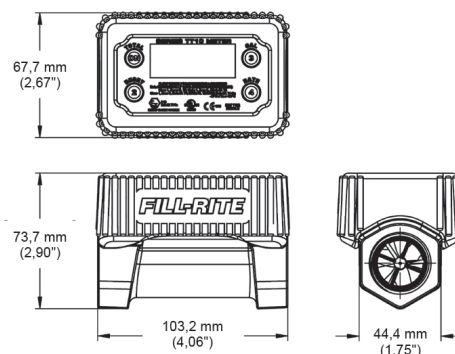
**Rango de lote:** Unidades de 0,00 a 9999 (parpadea cuando el lote excede 9999)

**Visualización:** -40 °C a 60 °C (-40 °F a 140 °F)

**Energía:** 2 pilas alcalinas aprobadas. Consulte la sección de reemplazo de pilas del manual.

**Memoria:** La calibración y los totales del medidor se conservan cuando se cambian las pilas.

**Seguridad:** Electrónica de seguridad intrínseca para uso en ubicaciones peligrosas.



## Compatibilidad de fluidos/viscosidad

Los medidores de la serie TT10A manipulan la mayoría de los combustibles con viscosidades en el rango de 0,4 cSt a 79 cSt.

Puede medir líquidos con una viscosidad superior a 79 cSt, pero la precisión se limitará a la velocidad de flujo de calibración. Ajuste el medidor para CAL 19 y siga los pasos de calibración que se indican en este manual.

Si tiene dudas sobre la compatibilidad de líquidos específicos, comuníquese con el proveedor del líquido para verificar cualquier reacción adversa con los materiales que se indican en la sección Información técnica de este manual.

Líquidos aprobados:

- Gasolina\*
- DEF (AUS32)\*\*
- Diesel\*
- Keroseno\*
- Herbicidas\*\*†
- Hexano\*
- Heptano\*
- Alcoholes minerales
- Agua dulce no potable
- Pesticida\*\*†

\*Compatible solo con modelos de combustible TT10A

\*\*Compatible solo con modelos químicos TT10P

†Comuníquese con el proveedor de productos químicos para conocer los materiales húmedos y la compatibilidad de viscosidad

## Instalación

### AVISO

El exceso de cinta selladora o compuesto para roscas situados aguas arriba del medidor, se puede soltar y atascar o dañar el rotor y provocar la falla del medidor. El método de instalación preferido es el uso de una cantidad apropiada de compuesto para roscas.

Use un compuesto para roscas o una cinta selladora compatible en todas las uniones roscadas.

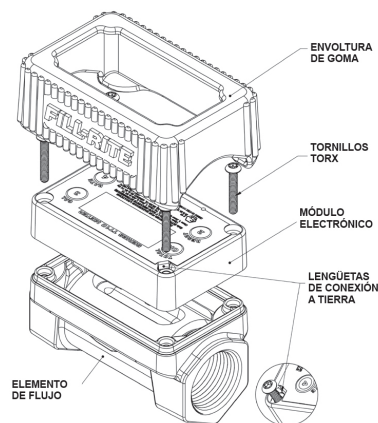
- Determine la dirección correcta del flujo de líquido y apunte la flecha que está en la parte inferior del cuerpo del medidor en dicha dirección. *Instalar el medidor en la dirección de flujo incorrecta tendrá un impacto importante en su rendimiento.*
- Enrosque las tuberías o mangueras en los puertos hasta que queden ajustadas. Tenga cuidado de no forzar la rosca cuando comience a enroscar y de no apretar en exceso el medidor.



## Orientación del módulo electrónico

La pantalla se puede orientar para un flujo de derecha a izquierda y de izquierda a derecha.

1. Despegue la envoltura de goma protectora y deje a un lado.
2. Retire los 4 tornillos que sostienen el módulo electrónico, con un destornillador Torx T-20.
3. Retire el módulo y gírelo en 180°. Asegúrese de que la almohadilla de espuma que está debajo de las pilas se reinstale correctamente en el caso de que se salga. Esto es fundamental para asegurarse de que las pilas no se desconecten si el medidor se somete a una manipulación brusca.
4. Vuelva a instalar los 4 tornillos. Estos deben estar lo suficientemente apretados como para asentar completamente el módulo. El par de torsión de instalación recomendado es 0,6 a 1,1 Nm (5 a 10 lb-in). *El exceso de apriete puede quebrar el módulo.*
5. Vuelva a instalar la envoltura de goma protectora.



**PRECAUCIÓN**

Cuando reinstale los tornillos del módulo electrónico, asegúrese de que las lengüetas de conexión a tierra estén capturadas debajo de las cabezas de los tornillos. Esto garantiza que haya una correcta conexión a tierra y protección contra descargas estáticas cuando manipule el medidor.

## Funciones operacionales



- Enciende el medidor.
- Muestra el total acumulado mientras se presiona. Si el total acumulado es mayor que 9999, los números se desplazarán entre la pantalla en grupos de 4 dígitos.



Cuando se presiona durante 3 segundos, restablece el total actual a cero. También vuelve al modo de operación normal cuando se encuentra en modo **CAL** o **FLSH**.



Cuando se presiona durante 3 segundos, permite realizar cambios en el factor de calibración/líquido, que se muestra en la esquina inferior izquierda. La activación reiterada incrementará el número hasta 19 y luego volverá a cero. Cuando se muestre el número deseado, presione el botón **2** para bloquear el número nuevo y volver a la operación normal. Consulte la Tabla 1 para obtener información específica.



Cuando se presiona durante 3 segundos, se muestra el ícono RATE (Velocidad). Se mostrará la velocidad de flujo activa. Presione el botón **4** nuevamente para reanudar la operación normal. El medidor seguirá contando el volumen mientras se muestre la velocidad de flujo.

**NOTA:** La pantalla del medidor se apagará automáticamente después de 30 segundos de inactividad para ahorrar pilas. Se encenderá cuando el flujo se reanude o cuando se presione cualquier botón. Ningún dato se pierde durante los períodos de inactividad.

## Cambio de las unidades de medida

Las unidades de medida se pueden cambiar a onzas (OZ), pintas (PT), cuartos de galón (QT), galones (GAL) o litros (LITER) sin necesidad de recalibrar el medidor.

1. Presione los botones **2** y **4** durante tres segundos. La pantalla mostrará la versión de firmware.
2. Presione el botón **3**. La pantalla mostrará la unidad actual.
3. Para cambiar las unidades, presione reiteradamente el botón **ON** (Encendido) hasta que se muestre la unidad deseada.
4. Presione el botón **2** para bloquear la selección. La pantalla mostrará la versión de firmware.
5. Para volver el modo de operación normal, presione el botón **2** otra vez.
6. Se mostrarán las unidades seleccionadas. El total actual o acumulado se actualizará para reflejar la nueva unidad de medida.

## Factor de tipo de líquido/calibración de prensa (CAL)

Los medidores de la serie TT10 ofrecen 20 factores preestablecidos para distintos tipos de viscosidades y tipos de líquidos.

El uso de los factores de calibración tiene el propósito de proporcionar la solución de medición más precisa para un líquido específico. Un factor CAL de 0 es para el uso de los líquidos menos viscosos y aumenta para los líquidos con mayor viscosidad.

- Mantenga presionado el botón ③ durante tres segundos. Aparecerá el valor del conteo dispensado actual y solo se mostrará el valor actual y el ícono CAL.
- La presión reiterada del botón ③ incrementará el número hasta 19 y luego volverá a cero.
- Después de seleccionar el factor de líquido deseado, presione el botón ② para bloquear el factor de líquido y vuelva el medidor al modo de operación normal. Las viscosidades y factores CAL que se muestran en la siguiente tabla son para líquidos a 21 °C / 70 °F.

Líquido	cSt	Cal	Líquido	cSt	Cal	Líquido	cSt	Cal
Heptano	0.36	0	Keroseno	2.62	7	Etilenglicol	19.1	14
	0.48	1	Diesel	3.48	8	2,4-D	25.4	15
Gasolina	0.63	2	B100	4.62	9	Glyphosat	33.7	16
	0.84	3		6.15	10	Atrazin 4L	44.8	17
Agua / DEF	1.12	4	Carburante	8.16	11	Propilenglicol	59.5	18
	1.48	5		10.8	12	Aceite 10W-30 / ATF	79.0	19
Alcoholes minerales	1.98	6		14.4	13			

**NOTA:** El uso del factor de líquido/CAL es independiente de la realización de la calibración en comparación con un volumen conocido. El medidor se calibra en la fábrica, pero la realización de una calibración en terreno puede mejorar aún más la precisión del equipo.

## Calibración del líquido

La calibración del líquido requiere un recipiente de un volumen conocido de al menos 19 litros (5 galones) o más grande, que sea compatible con el líquido que se esté midiendo. Se puede utilizar un volumen más grande, lo que puede mejorar la precisión, pero no exceda las 99,99 unidades de medida.

**NOTA:** Antes de realizar una calibración de líquido, asegúrese de haber seleccionado el factor de líquido/CAL más cercano, para garantizar la mejor precisión del medidor.

- Mantenga presionados los botones ② y ④ durante tres segundos. La pantalla mostrará la versión de firmware.
- Presione el botón ③ para ingresar al modo de calibración. Se mostrarán las unidades de medida seleccionadas.
- Presione el botón ③. La pantalla mostrará "FILL" (Llenar).
- Comience a verter el líquido en el recipiente. "FILL" parpadeará en la pantalla cuando se detecte el flujo.
- Después de verter el líquido, presione el botón ON. El dígito izquierdo de la pantalla parpadeará. ("00.00")
- Presione el botón ④ para incrementar el dígito hasta la cantidad de líquido vertida (por ejemplo: "05.00"). Presione el botón ON para moverse a la derecha. Si comete un error, presione el botón ② para comenzar desde el dígito que está más a la izquierda.
- Después de cargar el número, presione nuevamente el botón ON para aceptar el volumen ingresado.
- La pantalla ahora muestra el factor CAL configurado.
- Presione nuevamente el botón ON y se mostrará la versión de firmware.
- Presione el botón ② nuevamente para volver al modo de operación normal.

**NOTA:** Si el valor ingresado está fuera de un rango aceptable, la pantalla mostrará "Err0" y el medidor volverá a la configuración anterior. Consulte la Tabla 2 en la página 8 para obtener la Guía de solución de problemas.

Si realiza la medición en onzas, pintas o cuartos de galón, puede que sea más fácil cambiar el medidor a una unidad de medida más grande, como galones o litros para el proceso de calibración y luego volver a la unidad de medida deseada.

## Modo de enjuague (FLSH)

El uso del modo de enjuague le permite enjuagar el medidor sin agregar volumen a los totales medidos. Esto es útil cuando se realiza el enjuague del medidor para su almacenamiento o se cambie entre distintos líquidos y se desee mantener los totales precisos.

1. Presione los botones (3) y (4) durante 3 segundos. El medidor mostrará "FLSH".
2. Presione el botón (2) para volver al modo de operación normal.

## Restablecimiento del total acumulado

1. Mantenga presionado los botones (2) y (4) durante tres segundos. Se mostrará la versión de firmware actual.
2. Presione el botón (ON) para mostrar el total acumulado. Si es mayor que 9999 unidades, el total acumulado se desplazará por la pantalla.
3. Mantenga presionados los botones (ON) y (4) durante cinco segundos para restablecer el total acumulado.
4. Presione dos veces el botón (2) para volver al modo de operación normal.

## Revisión del factor K

Puede revisar el factor de calibración interna del medidor. El valor mostrado es el número de conteos del sensor conforme a la unidad de medida seleccionada y el factor de líquido/CAL. *El fabricante puede solicitarle este número si se realiza la solución de problemas del medidor.*

1. Presione los botones (3) y (4) durante tres segundos. El medidor mostrará "FLSH".
2. Mantenga presionado los botones (ON) y (3). Se mostrará el número de conteos por unidad de medida.
3. Presione el botón (2) para volver al modo de operación normal.

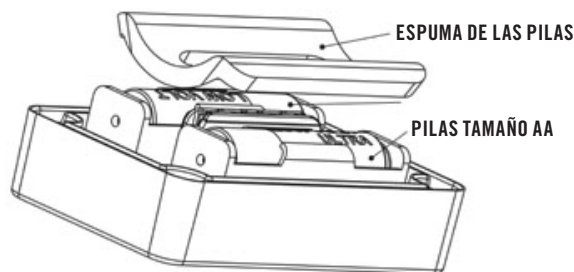
## Reemplazo de las pilas

Las pilas se deben reemplazar cuando el ícono LOW (Bajo) comience a parpadear en la pantalla. La calibración, la configuración y los totales se conservan mientras las pilas se reemplazan, de modo que no es necesario volver a calibrar posteriormente.

Para acceder a las pilas, retire la pantalla como se describe en la sección que muestra cómo girar la pantalla.

La espuma de las pilas se debe pegar a las pilas. Retírela cuidadosamente y vuelva a instalarla durante el montaje. La espuma de las pilas las protege y evita que se desconecten si el medidor se somete a una manipulación brusca.

Ponga atención a la polaridad de las pilas según está marcado en el interior del soporte de las pilas. El medidor no funcionará si las pilas se instalan incorrectamente y se pueden producir daños.



### ⚠ ADVERTENCIA

Cuando cambie las pilas, elimine del área los vapores explosivos o traslade los elementos electrónicos del medidor a un área segura antes del reemplazo. Para reducir el riesgo de explosión **NO** mezcle pilas antiguas con pilas nuevas, ni mezcle pilas de diferentes fabricantes.

Las pilas **SOLO** se pueden reemplazar por las siguientes:

- Duracell MN1500
- Duracell QU1500
- Energizer E91

## Mantenimiento y almacenamiento

Si el medidor se va a almacenar durante un período prolongado sin uso y si se está usando con un líquido que puede dejar residuos, se debe enjuagar con un líquido compatible para evitar bloqueos o atascos del conjunto de turbina.

El exterior del medidor se puede limpiar con un detergente suave a base de agua y la pantalla se puede limpiar con un paño húmedo. **No utilice una hidrolavadora para limpiar el medidor.**

### AVISO

El uso de aire comprimido CAUSARÁ daños permanentes en el medidor. Siempre use un chorro suave de un líquido compatible para enjuagar el interior del medidor.

**Tabla 2: Guía de solución de problemas**

Problema	Causa posible	Solución	Notas
El medidor no enciende	<ul style="list-style-type: none"> <li>• Pilas agotadas</li> <li>• Elementos electrónicos dañados</li> </ul>	<ul style="list-style-type: none"> <li>• Reemplace las pilas</li> <li>• Reemplace el medidor</li> </ul>	Si la pantalla se retira o perfora, el sello de los elementos electrónicos se dañará.
Decimales parpadeantes	El contador excedió las 9999 unidades	Mantenga presionado el botón ② para restablecer la pantalla a cero	El medidor seguirá funcionando normalmente.
Ícono BAT parpadeante	Pilas bajas	Reemplace las pilas	Consulte la sección de Reemplazo de las pilas.
Fuga de líquido en el puerto de entrada o salida	<ul style="list-style-type: none"> <li>• Se requiere sellador para roscas</li> <li>• El puerto tiene la rosca forzada</li> </ul>	<ul style="list-style-type: none"> <li>• Agregue sellador en la unión</li> <li>• Reemplace el medidor</li> </ul>	
El líquido fluye, pero el medidor no es el correcto	<ul style="list-style-type: none"> <li>• La turbina está atascada</li> <li>• Existe una falla del medidor</li> </ul>	<ul style="list-style-type: none"> <li>• Enjuague el medidor</li> <li>• Reemplace el medidor</li> </ul>	
La lectura del medidor no es correcta	<ul style="list-style-type: none"> <li>• Hay aire en el sistema</li> <li>• El medidor está instalado al revés</li> <li>• La viscosidad del líquido cambió</li> <li>• El factor de líquido/CAL es incorrecto</li> <li>• La calibración es deficiente</li> </ul>	<ul style="list-style-type: none"> <li>• Asegúrese de que el medidor siempre esté lleno de líquido</li> <li>• Corrija la dirección de flujo del medidor</li> <li>• Use el factor de líquido/CAL correcto</li> <li>• Vuelva a calibrar</li> </ul>	El medidor contará el aire. Las viscosidades de los líquidos cambian con la temperatura.
El medidor no es consistente o repetible	<ul style="list-style-type: none"> <li>• Hay aire en el sistema</li> <li>• El medidor está instalado al revés</li> <li>• Hay partículas en el líquido</li> <li>• La turbina está atascada</li> <li>• Trabaja fuera del rango de flujo del medidor</li> </ul>	<ul style="list-style-type: none"> <li>• Asegúrese de que el medidor siempre esté lleno de líquido</li> <li>• Corrija la dirección de flujo del medidor</li> <li>• Enjuague el medidor</li> <li>• Coloque una rejilla delante del medidor</li> <li>• Trabaje dentro del rango de flujo del medidor</li> </ul>	Rejilla de entrada de malla 40 como mínimo
Err0	<ul style="list-style-type: none"> <li>• Error de calibración</li> <li>• Es posible que el medidor tenga un desgaste excesivo</li> </ul>	<ul style="list-style-type: none"> <li>• Vuelva a calibrarlo con un recipiente más preciso</li> <li>• Reemplace el medidor</li> </ul>	Indica que la calibración del líquido está fuera de un rango aceptable. Puede que el recipiente volumétrico no sea preciso o que haya aire en el sistema. Es posible que el medidor tenga un desgaste excesivo.
Err1	Los elementos electrónicos están dañados o hay un error de software	<ul style="list-style-type: none"> <li>• Mantenga presionado el botón ② para restablecer el contador y luego volver a calibrar el medidor</li> <li>• Reemplace el medidor</li> </ul>	
Err2	Eeprom defectuosa	Reemplace el medidor	El medidor sigue funcionando, pero se perderán los totales y la calibración si se retiran las pilas.

## Aspectos regulatorios

### Aprobaciones de pruebas de seguridad

Los medidores de Fill-Rite de la serie TT10 han pasado pruebas de seguridad para cumplir los estándares establecidos por Underwriters Laboratories (UL), UL Canada, ATEX y otras organizaciones reguladoras. **Para determinar qué estándares específicos se aplican a su medidor en particular, consulte la placa frontal para ver la información y los logotipos de cumplimiento.**

#### MEDIDOR DE FLUJO PARA UBICACIONES PELIGROSAS, Exia INTRÍNSECAMENTE SEGURO (SECURITE INTRINSEQUE)

Class I, Group D, T4; Class I, Zone 0, AEx ia IIA T4 Ex ia IIA T4; IECEx UL 16.0147X; Ex ia IIA T4 Ga;

-40°C < Ta < +60°C



II 1G  
Ex ia IIA T4 Ga



DEMKO 16 ATEX 1787X

### Información de certificación CE

Los medidores de la serie TT10 que cuentan con la marca CE han recibido certificación conforme a las siguientes directivas europeas:

2011/65/EU: Restricción del uso de ciertas sustancias peligrosas en equipos electrónicos y eléctricos

2014/30/EU: Compatibilidad electromagnética

**Los siguientes estándares se usan para probar y demostrar el cumplimiento:**

EN 60079-0: 2018

IEC 60079 Edición 6

EN 60079-11: 2012

IEC 60079-11 Edición 6

UL60079-0 Sexta edición

UL60079-11 Sexta edición

CAN/CSA - C22.2 N.º 157-92

CAN/CSA - C22.2 N.º 60079-0:2014

CAN/CSA - C22.2 N.º 60079-11:2015

### EMISIONES

EN 55011:2009/A1:2010 Grupo 1, Clase B, equipos industriales, científicos y médicos (ISM, por sus siglas en inglés)

### INMUNIDAD

EN 61326-1:2013, Equipos eléctricos para medición, control y uso en laboratorios

IEC 61000-4-2: 2009 ESD

IEC 61000-4-3: 2006 A1:2008 & A2:2010 Inmunidad a campos radiados

IEC 61000-4-8: 2010 Campos magnéticos

# **FILL-RITE**<sup>®</sup>

**A GORMAN-RUPP COMPANY**

**Fill-Rite Company**  
8825 Aviation Drive  
Fort Wayne, Indiana 46809 USA

**T** 1 (800) 720-5192  
1 (260) 747-7524  
**F** 1 (800) 866-4681



[fillrite.com](http://fillrite.com) | [sotera.com](http://sotera.com) | [gormanrupp.com](http://gormanrupp.com)

# FILL-RITE®

## TT10A UND TT10P INLINE-TURBINENRADZÄHLER

Betriebs- und Sicherheitsanleitung



MADE IN   
USA  
WITH GLOBAL MATERIALS

**GR**  
GORMAN-RUPP  
COMPANY

## Inhaltsverzeichnis

Über diese Anleitung .....	3
Symbole und Definitionen .....	3
Allgemeine Beschreibung .....	3
Sicherheitsinformation .....	3
TT10A (Kraftstoffe) Technische Daten .....	4
Flüssigkeits-/Viskositätsverträglichkeit.....	4
Montage .....	4
Ausrichtung des Elektronikmoduls.....	5
Betriebsfunktionen .....	5
Wechseln der Maßeinheiten .....	5
Eichungs-/Flüssigkeitstypfaktor (CAL) drücken .....	6
Flüssigkeitseichung .....	6
Spülmodus (FLSH) .....	7
Zurücksetzen der kumulativen Summe .....	7
Prüfung des K-Faktors.....	7
Batteriewechsel.....	7
Pflege und Lagerung .....	7
Anleitung zur Störungsbeseitigung .....	8
Gesetzliche Vorschriften.....	9

### Danke!

Vielen Dank für Ihre Treue zu Kraftstoffförderpumpen der Marke Fill-Rite. Ihre Sicherheit ist wichtig, deshalb lesen Sie bitte die in diesem Handbuch beschriebenen Verfahren und verstehen Sie sie gründlich. Schützen Sie sich und Ihre Mitmenschen, indem Sie alle Sicherheitshinweise beachten und alle Gefahren-, Warn- und Vorsichtssymbole beachten. Bitte bewahren Sie diese Anleitung zum späteren Nachschlagen auf und notieren Sie Modell, Seriennummer und Kaufdatum Ihres Fill-Rite Messgeräts. Bitte registrieren Sie Ihr Fill-Rite Produkt über [info.fillrite.com/product\\_registration](http://info.fillrite.com/product_registration).

### WICHTIGE RÜCKGABERECHTE

Bitte geben Sie dieses Produkt nicht im Geschäft zurück. Bei allen Garantie- und Produktfragen wenden Sie sich bitte an den technischen Support unter 1 (800) 720-5192 oder per E-Mail an [FillRiteTech@fillrite.com](mailto:FillRiteTech@fillrite.com) (M–F, 8:00–17:00 Uhr ET).

MODELL-NR.	
SERIEN-NR.	
KAUFDATUM:	

**FILL-RITE**  
A GORMAN-RUPP COMPANY



## Über diese Anleitung

Vom ersten Konzept und Design bis zur endgültigen Produktion ist Ihr Fill-Rite-Produkt so konzipiert, dass es jahrelang störungsfrei verwendet werden kann. Um Ihre eigene Sicherheit und die Ihrer Mitmenschen zu gewährleisten, ist es wichtig, dass Sie dieses Handbuch vollständig lesen, bevor Sie versuchen, Ihr neu erworbenes Gerät zu installieren oder zu betreiben. Wir empfehlen allen Installateuren und Bedienern dringend, sich mit den Begriffen, Diagrammen und technischen Daten in diesem Handbuch vertraut zu machen und alle Informationen zu GEFAHR, WARNUNG, VORSICHT oder HINWEIS genau zu beachten. Bei Fill-Rite steht Ihre Zufriedenheit mit unseren Produkten an erster Stelle. Wenn Sie Fragen haben oder Hilfe zu Ihrem Produkt benötigen, kontaktieren Sie uns bitte unter 1 (800) 720-5192 oder per E-Mail an [FillriteTech@fillrite.com](mailto:FillriteTech@fillrite.com) (Mo–Fr, 8–17 Uhr ET).

## Symbole und Definitionen



Weist auf eine gefährliche Situation hin, die zum Tod oder zu schweren Verletzungen führt, wenn sie nicht vermieden wird.



Hebt einen Bereich hervor, in dem bei Nichtbefolgung der Anweisungen schwere oder tödliche Verletzungen auftreten können. Es können auch mechanische Schäden entstehen.



Bei Nichtbeachtung eines „Vorsichtshinweises“ besteht die Gefahr von Maschinenschäden.



Diese Textfelder enthalten Informationen, die auf Zeitersparnisse hinweisen, für den korrekten Betrieb wichtig sind oder einen Arbeitsschritt weiter erläutern.

## Allgemeine Beschreibung

Die Zähler der Serie TT10 sind elektronische Turbinenradzähler für den Einsatz in Gefahrenzonen und bei extremen Temperaturen.

Die Zähler TT10 verfügen über fortschrittliche Elektronik, die fälschliche Zählwerte bei hohen Vibrationen und bei mobilen Anwendungen eliminiert, ohne dabei die Fähigkeit der Dosierung bei geringer Durchflussrate zu verlieren.

Der Zähler kann die derzeit abgegebene Menge (Chargensumme) oder den kumulativ abgegebenen Wert (Summierer) in einer von fünf auswählbaren Maßeinheiten (US-Unzen, US-Pints, US-Quarts, Liter, US-Gallonen) speichern und anzeigen.

Der Zähler kann einfach auf andere Flüssigkeiten umgestellt werden, indem unter den 20 Einstellungen ein Eichfaktor ausgewählt wird.

Das Gerät wird mit zwei austauschbaren Alkalibatterien der Größe AA versorgt.

## Sicherheitsinformation



Zur Gewährleistung der sicheren und wirkungsvollen Funktionsweise müssen alle nachfolgenden Warnungen und Vorsichtsmaßnahmen gelesen und befolgt werden.

1. Kraftstoffe und Chemikalien, die durch den Zähler strömen, können Ihre Gesundheit gefährden. Die Verwendung und Entsorgung dieser Produkte ist durch gesetzliche Bestimmungen, Vorschriften und Verfahrensweisen geregelt.
2. Bei der Verwendung des Produktes und bei der Reinigung des Zählers sind die vom Flüssigkeitshersteller empfohlenen Handhabungs- und Umschlagverfahren einzuhalten.
3. Der Zählerinnendruck darf bei den Modellen TT10A 3,5 bar (50 PSI) und bei den Modellen TT10P 8,6 bar (125 PSI) nicht überschreiten.
4. Unsachgemäßer Einbau oder Einsatz dieses Produktes kann zu schweren oder tödlichen Verletzungen führen!
5. Sicherstellen, dass an den Zähler angeschlossene Rohrleitungen und Schläuche bei der Dosierung von oder Verwendung in der Nähe von entzündlichen Flüssigkeit vorschriftsmäßig geerdet sind.
6. KEINESFALLS zusätzliche Fußventile oder Rückschlagventile ohne ein Druckentlastungsventil einbauen, da der Zähler dadurch bersten könnte.
7. Um den Aufbau von elektrostatischer Ladung zu vermeiden, nur mit einem feuchten Lappen reinigen.
8. Das Zählergehäuse besteht aus einer Aluminiumlegierung. Schläge auf das Zählergehäuse oder ein Brechen dieses vermeiden.



Beim Umschlag gefährlicher Flüssigkeiten angemessene Schutzausrüstung tragen.

## TT10A (Kraftstoffe) Technische Daten

**Durchflussanschlüsse:** 1 Zoll NPT oder BSPP Innengewinde, Einlass- und Auslassanschlüsse

**Durchflussbereich:** 7,6 bis 132,5 l/min / 2 bis 35 gal/min

**Arbeitsdruck (TT10A):** 3,4 bar (50 psi) max. UL 20,7 bar (300 psi) (Bersten)

**Arbeitsdruck (TT10P):** ≤49°C (120°F): 8,6 Bar (125 psi),  
> 49°C (120°F): 3,5 Bar (50 psi)

**Lagertemperatur:** -40 °C bis 60 °C (-40 °F bis 140 °F) (Keine Flüssigkeiten)

**Betriebstemperatur (TT10A):** -40 °C bis 60 °C (-40 °F bis 140 °F)

**Betriebstemperatur (TT10P):** -26 °C bis 60 °C (-15 °F bis 140 °F)

**Messgenauigkeit:** ±1,0 % (nach der Eichung vor Ort)

**Wiederholbarkeit der Messung:** ±0,30 % (Chargengröße ≥ 7,5 l)

**Maßeinheiten:** US-Unze, US-Pints, US-Quart, Liter, US-Gallonen

**Benetzte Werkstoffe (TT10A):** Edelstahl 1.4301/1.4401, Aluminium, Acetal, Gold

**Benetzte Werkstoffe (TT10P):** Edelstahl 1.4301/1.4401, polypropylene, UHMWPE, gold

**Zählerbereich:** 0 – 90.000.000 Einheiten

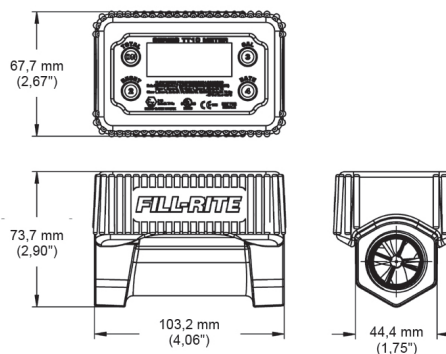
**Chargenbereich:** 0,00 – 9999 Einheiten (blinkt, wenn Charge größer als 9999 ist)

**Anzeige:** -40 °C bis 60 °C (-40 °F bis 140 °F)

**Stromversorgung:** 2 zugelassene Alkalibatterien. Siehe Abschnitt „Batteriewechsel“ im Handbuch.

**Speicher:** Zählersummen und Eichung bleiben während des Batteriewechsels erhalten.

**Sicherheit:** Eigensichere Elektronik für den Einsatz in Gefahrenzonen.



## Flüssigkeits-/Viskositätsverträglichkeit

Die Zähler der TT10A Serie sind für die meisten Kraftstoffe mit Viskositäten zwischen 0,4 cSt und 79 cSt geeignet.

Es können Flüssigkeiten gezählt werden, die eine Viskosität von mehr als 79 cSt haben, dabei ist die Genauigkeit jedoch auf die Eichungsdurchflussrate begrenzt. Den Zähler auf CAL 19 einstellen und den in diesem Handbuch beschriebenen Eichvorgang befolgen.

Wenn die Verträglichkeit einer bestimmten Flüssigkeit nicht gesichert ist, den Flüssigkeitslieferanten kontaktieren und nach nachteiligen Reaktionen mit den im Abschnitt „Technische Daten“ dieses Handbuchs angegebenen Werkstoffen fragen.

Zugelassene Flüssigkeiten:

- Benzin\*
- DEF (AUS32)\*\*
- Diesel\*
- Kerosin\*
- Herbizides\*\*†
- Hexan\*
- Heptan\*
- Mineralbeizen
- Nicht trinkbares Frischwasser
- Pestizide\*\*†

\*Nur mit TT10A-Kraftstoffmodellen kompatibel

\*\*Nur mit TT10P-Chemiemodellen kompatibel

†Kontaktieren Sie den Chemikalienlieferanten für benetzte Materialien und Viskositätskompatibilität

## Montage

### HINWEIS

Überschüssiges Dichtband oder Gewindedichtmittel strömungsaufwärts vom Zähler kann losbrechen und einen Stau verursachen bzw. das Turbinenrad verklemmen und einen Zählerausfall verursachen. Die bevorzugte Montagemethode muss mit einer geeigneten Menge Gewindegewindesicherungsmittel durchgeführt werden.

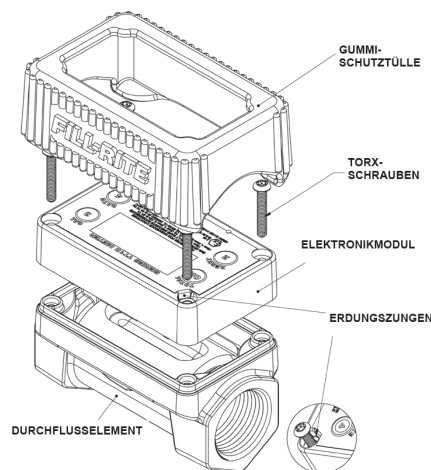
An allen Schraubverbindungen ein verträgliches Dichtband oder Gewindedichtmittel verwenden.

1. Die richtige Strömungsrichtung der Flüssigkeit ermitteln und den Pfeil auf der Unterseite des Zählergehäuses in diese Richtung richten. *Wenn der Zähler in der falschen Strömungsrichtung montiert wird, beeinträchtigt dies die Leistung des Zählers beachtlich.*
2. Den Schlauch oder die Rohrleitung handfest in die Anschlüsse drehen. Darauf achten, dass die Gewinde nicht verkantet angesetzt werden und der Zähler zu fest angezogen wird.

## Ausrichtung des Elektronikmoduls

Die Anzeige kann für Durchfluss von rechts nach links oder links nach rechts angeordnet werden.

1. Die Gummi-Schutztülle abziehen und zur Seite legen.
2. Die 4 Schrauben am Elektronikmodul mit einem T20 Torx-Schraubendreher entfernen.
3. Das Modul abnehmen und um 180° drehen. Darauf achten, dass der Schaumstoffpolster unter den Batterien korrekt eingesetzt wird, falls dieser herausfällt. Das ist entscheidend dafür, dass die Batterien nicht verrutschen, wenn mit dem Zähler grob umgegangen wird.
4. Die 4 Schrauben wieder anbringen. Sie müssen ausreichend festgezogen werden, damit das Modul komplett sitzt. Das empfohlene Anzugsmoment ist 0,6 – 1,1 Nm (5-10 in-lbs). *Bei zu starkem Festziehen kann das Modul bersten.*
5. Die Gummi-Schutztülle wieder anbringen.



**VORSICHT**

Beim erneuten Anbringen der Schrauben für das Elektronikmodul darauf achten, dass die Erdungszungen unter den Schraubenköpfen aufgenommen werden. Das sorgt für vorschriftsmäßige Erdung und Schutz vor statischer Entladung beim Umgang mit dem Zähler.

## Betriebsfunktionen



- Schaltet den Zähler ein.
- Zeigt beim Drücken die kumulative Summe an. Wenn die kumulative Summe größer als 9999 ist, laufen die Ziffern in Gruppen von 4 quer über das Display.



Wenn sie länger als 3 Sekunden gedrückt gehalten wird, wird die aktuelle Summe genullt. Dadurch wird im Modus **CAL** oder **FLSH** auch der normale Betriebsmodus wieder hergestellt.



Wenn sie 3 Sekunden lang gedrückt gehalten wird, wird zum CAL-Faktor (Eichfaktor/ Flüssigkeitsfaktor) gewechselt, der unten links angezeigt wird. Wiederholtes Drücken erhöht die Zahl um jeweils 1 bis 19 und kehrt danach zu 0 zurück. Wenn die gewünschte Zahl angezeigt wird, die Taste **2** drücken, um die neue Zahl zu übernehmen und wieder zum normalen Betrieb zurückzukehren. In Tabelle 1 sind genauere Einzelheiten angegeben.



Wenn sie 3 Sekunden lang gedrückt gehalten wird, wird das Symbol **RATE** angezeigt. Es wird die aktive Durchflussrate angezeigt. Die Taste **4** noch einmal drücken, um zum normalen Betriebsmodus zurückzukehren. Der Zähler wird weiter Volumen zählen, während die Durchflussrate angezeigt wird.

**HINWEIS:** Nach 30 Sekunden Inaktivität verdunkelt sich das Zähler-Display, um Batteriestrom zu sparen. Es aktiviert sich wieder, wenn wieder Durchfluss festgestellt oder eine Taste gedrückt wird. Während inaktiver Perioden gehen keine Daten verloren.

## Wechseln der Maßeinheiten

Folgende Maßeinheiten können ohne Neueichung des Zählers eingestellt werden: US-Unzen (OZ), US-Pints (PT), US-Quarts (QT), US-Gallonen (GAL) Liter (LITER).

1. Die Tasten **2** und **4** drei Sekunden lang gedrückt halten. Das Display zeigt die Firmware-Version an.
2. Die Taste **3** drücken. Das Display zeigt die derzeitige Maßeinheit an.
3. Zum Ändern der Maßeinheit die Taste **ON** solange drücken, bis die gewünschte Maßeinheit angezeigt wird.
4. Die Taste **2** drücken, um die Auswahl zu übernehmen. Das Display zeigt die Firmware-Version an.
5. Die Taste **2** noch einmal drücken, um wieder zum normalen Betriebsmodus zurückzukehren.
6. Die ausgewählte Maßeinheit wird angezeigt. Die derzeitige oder kumulative Summe ändert sich, um die neue Maßeinheit zu berücksichtigen.

## Eichungs-/Flüssigkeitstypfaktor (CAL) drücken

Die Zähler der Serie TT10 verfügen über 20 gespeicherte Faktoren für verschiedene Flüssigkeitstypen/Viskositäten.

Die Eichungsfaktoren ergeben die genaueste Zählerlösung für eine bestimmte Flüssigkeit. Ein CAL-Faktor 0 dient für Flüssigkeiten mit niedrigster Viskosität und höhere Faktoren für Flüssigkeiten mit höherer Viskosität.

1. Die Taste **3** drei Sekunden lang gedrückt halten. Der derzeit abgegebene Zählerwert verschwindet und nur das Symbol **CAL** und der derzeitige Wert werden angezeigt.
2. Wiederholtes Drücken der Taste **3** erhöht die Zahl um jeweils 1 bis 19 und kehrt danach zu 0 zurück.
3. Nachdem der gewünschte Flüssigkeitsfaktor ausgewählt wurde, die Taste **2** drücken, um diesen Faktor zu übernehmen und den Zähler wieder in den normalen Betriebsmodus zurückzuschalten.

Die in der Tabelle unten enthaltenen CAL-Faktoren und Viskositäten gelten für Flüssigkeiten bei 21 °C (79 °F).

Tabelle 1: Tabelle der CAL-Faktoren								
Flüssigkeit	cSt	Cal	Flüssigkeit	cSt	Cal	Flüssigkeit	cSt	Cal
Heptan*	0.36	<b>0</b>	Kerosin	2.62	<b>7</b>	Ethylenglykol	19.1	<b>14</b>
	0.48	<b>1</b>	Diesel	3.48	<b>8</b>	2,4-D**	25.4	<b>15</b>
Benzin*	0.63	<b>2</b>	B100	4.62	<b>9</b>	Glyphosat**	33.7	<b>16</b>
	0.84	<b>3</b>		6.15	<b>10</b>	Atrazin 4L**	44.8	<b>17</b>
Wasser/DEF	1.12	<b>4</b>	Düsentreibstoff*	8.16	<b>11</b>	Propylenglykol	59.5	<b>18</b>
	1.48	<b>5</b>		10.8	<b>12</b>	10W-30 Öl / ATF	79.0	<b>19</b>
Mineralbeizen	1.98	<b>6</b>		14.4	<b>13</b>			

\*Nur mit TT10A-Kraftstoffmodellen kompatibel

\*\*Nur mit TT10P-Chemiemodellen kompatibel

**HINWEIS:** Die Verwendung des CAL-/Flüssigkeitsfaktors erfolgt unabhängig von der Durchführung einer Eichung gegen ein bekanntes Volumen. Der Zähler wird im Wert geeicht. Durch eine Eichung vor Ort kann die Zähler-Genauigkeit jedoch weiter erhöht werden.

## Flüssigkeitseichung

Für die Flüssigkeitseichung wird ein Behälter mit bekanntem Volumen von mindestens 19 l benötigt, der mit der dosierten Flüssigkeit verträglich ist.

Es kann ein größeres Volumen verwendet werden, das die Genauigkeit der Eichung verbessern kann. Es dürfen jedoch nicht 99,99 Maßeinheiten überschritten werden.

**HINWEIS:** Vor dem Durchführen einer Flüssigkeitseichung ist sicherzustellen, dass der am besten passende CAL-/Flüssigkeitsfaktor ausgewählt wird, um die beste Zähler-Genauigkeit zu gewährleisten.

1. Die Tasten **2** und **4** gemeinsam 3 Sekunden lang gedrückt halten. Das Display zeigt die Firmware-Version an.
2. Die Taste **3** drücken, um den Eichmodus aufzurufen. Die Maßeinheit wird angezeigt.
3. Die Taste **3** drücken. Auf dem Display erscheint „**FILL**“.
4. Nun Flüssigkeit in den Behälter abgeben. „**FILL**“ blinkt auf dem Display, wenn Durchfluss erkannt wird.
5. Nach der Abgabe drücken Sie noch einmal die Taste **ON** (EIN). Die linke Display-Stelle blinkt. („**00.00**“)
6. Die Taste **4** drücken, um die Stelle auf die Menge abgegebener Flüssigkeit zu erhöhen (Beispiel: „**05.00**“). Die Taste **ON** drücken, um zur nächsten Stelle nach rechts zu gelangen. Wenn Sie einen Fehler machen, die Taste **2** drücken, um wieder mit der Stelle ganz links zu beginnen.
7. Nachdem die Zahl geladen wird, die Taste **ON** noch einmal drücken, um das eingegebene Volumen zu übernehmen.
8. Auf dem Display wird nun der konfigurierte **CAL**-Faktor angezeigt.
9. Die Taste **ON** noch einmal drücken. Es wird wieder die Firmware-Version angezeigt.
10. Noch einmal die Taste **2** drücken, um zum normalen Betriebsmodus zurückzukehren.

**HINWEIS:** Wenn der eingegebene Wert außerhalb des zulässigen Bereichs liegt, erscheint am Display „**Err0**“ und der Zähler kehrt zu den vorherigen Einstellungen zurück. Weitere Informationen sind in der Anleitung zur Störungsbeseitigung zu finden.



Wenn in US-Unzen, US-Pints oder US-Quarts gemessen wird, kann es einfacher sein, den Zähler für die Eichung auf eine größere Maßeinheit wie US-Gallonen oder Liter umzuschalten und danach wieder zur gewünschten Maßeinheit zurück zu wechseln.

## Spülmodus (FLSH)

Mit dem Spülmodus kann der Zähler gespült werden, ohne der Zählersumme Volumen hinzuzufügen. Das ist beim Spülen des Zählers vor der Lagerung oder beim Wechseln zwischen verschiedenen Flüssigkeiten von Vorteil, wenn exakte Summenwerte beibehalten werden sollen.


1. Die Tasten 3 und 4 drei Sekunden lang gedrückt halten. Auf dem Zähler-Display erscheint „FLSH“.
2. Die Taste 2 drücken, um zum normalen Betrieb zurückzukehren.

## Zurücksetzen der kumulativen Summe

1. Die Tasten 2 und 4 drei Sekunden lang gedrückt halten. Es wird die derzeitige Firmware-Version angezeigt.
2. Die Taste  drücken, um die Gesamtsumme anzuzeigen. Wenn der Wert höher als 9999 ist, blättert die Gesamtsumme über das Display.
3. Die Tasten  und 4 gemeinsam 5 Sekunden lang gedrückt halten, um die kumulative Summe zurückzusetzen.
4. Die Taste 2 zweimal drücken, um zum normalen Betriebsmodus zurückzukehren.

## Prüfung des K-Faktors

Der interne Eichfaktor des Zählers kann geprüft werden. Der angezeigte Wert ist die Anzahl der Sensorzählwerte pro ausgewählter Maßeinheit und beim ausgewählten CAL-/Flüssigkeitsfaktor. *Werkspersonal kann bei der Fehlersuche am Zähler nach diesem Wert fragen.*

1. Die Tasten 3 und 4 drei Sekunden lang gedrückt halten. Auf dem Zähler-Display erscheint „FLSH“.
2. Die Tasten  und 3 gemeinsam gedrückt halten. Die Anzahl der Zählwerte pro Maßeinheit wird angezeigt.
3. Die Taste 2 drücken, um zum normalen Betrieb zurückzukehren.

## Batteriewechsel

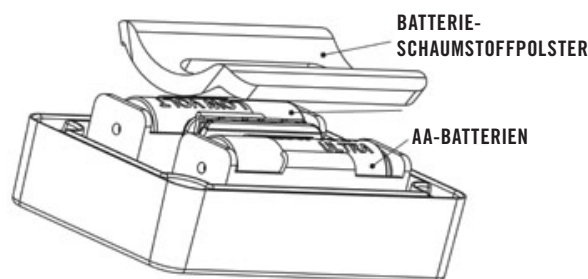
Die Batterien müssen gewechselt werden, wenn das Batteriesymbol **LOW** auf dem Display zu blinken beginnt. Die Zählersummen, Konfiguration und Eichung bleiben gespeichert, während die Batterien gewechselt werden, damit anschließend keine Eichung durchgeführt werden muss.

Zum Wechseln der Batterien das Display entfernen, wie im Abschnitt über das Drehen des Displays beschrieben.

Der Batterie-Schaumstoffpolster kann an den Batterien anhaften. Diesen behutsam abnehmen und bei der Montage wieder einlegen.

Der Batterie-Schaumstoffpolster schützt die Batterien und verhindert, dass sich diese lösen, wenn der Zähler grob behandelt wird.

Auf die Polarität der Batterien achten, die im Batteriefach angegeben ist. Der Zähler funktioniert nicht, wenn die Batterien falsch eingesetzt werden; außerdem kann dies zu Schäden führen.



### **WARNUNG**

Beim Wechseln der Batterien sicherstellen, dass am Arbeitsbereich keine explosiven Dämpfe vorhanden sind, oder die Zählerelektronik in einen sicheren Bereich bringen, bevor die Batterien gewechselt werden. Zur Verringerung des Explosionsrisikos **KEINE** alten Batterien mit neuen Batterien oder Batterien verschiedener Hersteller mischen. Batterien dürfen **NUR** durch folgende ersetzt werden:

- Duracell MN1500
- Duracell QU1500
- Energizer E91

## Pflege und Lagerung

Wenn der Zähler längere Zeit nicht verwendet wird und mit einer Flüssigkeit verwendet wurde, die Rückstände hinterlassen kann, muss er mit einer verträglichen Flüssigkeit gespült werden, um ein Festkleben des Turbinenrads zu vermeiden.

Das Äußere des Zählers kann mit einer milden Waschmittellösung und einem feuchten Lappen abgewischt werden, um das Display zu reinigen.

**Den Zähler nicht mit einem Hochdruckwäscher reinigen.**

### **HINWEIS**

Durch die Verwendung von Druckluft WIRD der Zähler permanent beschädigt. Stets einen sachten Strom verträglicher Flüssigkeit zum Spülen des Zählerinneren verwenden.

**Tabelle 2: Anleitung zur Störungsbeseitigung**

Problem	Mögliche Ursache	Lösung	Anmerkungen
Zähler lässt sich nicht einschalten	<ul style="list-style-type: none"> <li>Batterien sind leer</li> <li>Beschädigte Elektronik</li> </ul>	<ul style="list-style-type: none"> <li>Batterien wechseln</li> <li>Zähler wechseln</li> </ul>	Dichtung zur Elektronik ist gerissen, wenn das Display entfernt oder durchstochen wird.
Blinkende Dezimalstelle	Zähler hat 9999 Einheiten überschritten	Das Display nullen, indem die Taste 2 gedrückt gehalten wird	Der Zähler wird weiter normal funktionieren.
BAT-Symbol blinkt	Batterien schwach	Batterien wechseln	Siehe Abschnitt „Batteriewechsel“.
Flüssigkeit tritt am Einlass-/Auslassanschluss aus	<ul style="list-style-type: none"> <li>Es wird Gewindedichtmittel benötigt</li> <li>Anschlussgewinde ist verkantet angesetzt</li> </ul>	<ul style="list-style-type: none"> <li>Dichtmittel in der Fuge auftragen</li> <li>Zähler wechseln</li> </ul>	
Flüssigkeit strömt; Zähler nicht korrekt	<ul style="list-style-type: none"> <li>Turbinenrad klemmt</li> <li>Zählerausfall</li> </ul>	<ul style="list-style-type: none"> <li>Zähler spülen</li> <li>Zähler wechseln</li> </ul>	
Zählermesswert ist nicht korrekt	<ul style="list-style-type: none"> <li>Luft ist im System</li> <li>Zähler wurde verkehrt montiert</li> <li>Veränderte Flüssigkeitsviskosität</li> <li>Falscher CAL/Flüssigkeitsfaktor</li> <li>Mangelhafte Eichung</li> </ul>	<ul style="list-style-type: none"> <li>Sicherstellen, dass der Zähler immer mit Flüssigkeit gefüllt ist</li> <li>Durchflussrichtung des Zählers korrigieren</li> <li>Korrekten CAL-/Flüssigkeitsfaktor verwenden</li> <li>Neu eichen</li> </ul>	Zähler zählt Luft. Flüssigkeitsviskositäten ändern sich mit der Temperatur.
Zähler arbeitet nicht konsistent/wiederholgenau	<ul style="list-style-type: none"> <li>Luft ist im System</li> <li>Zähler wurde verkehrt montiert</li> <li>Teilchen in der Flüssigkeit</li> <li>Turbinenrad ist verklebt</li> <li>Betrieb außerhalb des Durchflussbereichs des Zählers</li> </ul>	<ul style="list-style-type: none"> <li>Sicherstellen, dass der Zähler immer mit Flüssigkeit gefüllt ist</li> <li>Durchflussrichtung des Zählers korrigieren</li> <li>Zähler spülen</li> <li>Sieb vor Zähler anbringen</li> <li>Innerhalb des Durchflussbereichs des Zählers arbeiten</li> </ul>	Mindestens Siebweite 40 für Einlasssieb
Err0	<ul style="list-style-type: none"> <li>Eichfehler</li> <li>Zähler könnte stark abgenutzt sein</li> </ul>	<ul style="list-style-type: none"> <li>Mit einem genaueren Behälter neu eichen</li> <li>Zähler wechseln</li> </ul>	Zeigt an, dass die Flüssigkeitseichung außerhalb des akzeptablen Bereichs liegt. Volumetrischer Behälter ist eventuell nicht genau oder es befindet sich Luft im System. Zähler könnte stark abgenutzt sein.
Err1	Beschädigte Elektronik oder Softwarefehler	<ul style="list-style-type: none"> <li>Taste 2 gedrückt halten, um Zähler zurückzusetzen und danach Zähler neu eichen</li> <li>Zähler wechseln</li> </ul>	
Err2	Fehlerhafter EEPROM	Zähler wechseln	Zähler funktioniert zwar, aber Summen und Eichung gehen verloren, wenn die Batterien entfernt werden.

## Gesetzliche Vorschriften

---

### Sicherheitsprüfungszulassungen

Die Zähler der Fill-Rite Serie TT10 wurden auf Konformität mit den Normen geprüft, die von Underwriters Laboratories (UL), UL Canada, ATEX und anderen Prüforganisationen vorgeschrieben werden. **Zur Ermittlung, welche spezielle Konformität auf den vorliegenden Zähler zutrifft, sind Informationen und Konformitätslogos auf der Stirnseite des Zählers abzulesen.**

#### ZÄHLER FÜR GEFAHRENZONEN Ausführliche Folgenabschätzung EIGENSICHER

Class I, Group D, T4; Class I, Zone 0, AEx ia IIA T4 Ex ia IIA T4; IECEx UL 16.0147X; Ex ia IIA T4 Ga;  
-40°C < Ta < +60°C



II 1G  
Ex ia IIA T4 Ga



DEMKO 16 ATEX 1787X

### Informationen zur CE-Zulassung

Die Zähler der Serie TT10 mit der CE-Markierung sind gemäß den folgenden europäischen Richtlinien zertifiziert:

2011/65/EU: Richtlinie zur Beschränkung der Verwendung bestimmter gefährlicher Stoffe in Elektro- und Elektronikgeräten.

2014/30/EU: „Elektromagnetische Verträglichkeit“

**Die folgenden Normen wurden zum Testen und Nachweisen von Konformität verwendet:**

#### EMISSIONEN

EN 55011:2009/A1:2010 Gruppe 1, Klasse B, Industrielle, wissenschaftliche und medizinische Geräte (ISM)

#### STÖRFESTIGKEIT

EN 61326-1:2013, Elektrische Mess-, Steuer-, Regel- und Laborgeräte

IEC 61000-4-2: 2009 ESD

IEC 61000-4-3: 2006 A1:2008 und A2:2010 Störfestigkeit gegen Strahlung

IEC 61000-4-8: 2010 Magnetfeld

EN 60079-0: 2012 + A11:2013

IEC 60079 Edition 6

EN 60079-11: 2012

IEC 60079-11 Edition 6

UL60079-0 sechste Edition

UL60079-11 sechste Edition

CAN/CSA – C22.2 No 157-92

CAN/CSA – C22.2 No 60079-0:2014

CAN/CSA – C22.2 No 60079-11:2015

UL 25

ULC/ORD-C25

# **FILL-RITE**<sup>®</sup>

**A GORMAN-RUPP COMPANY**

**Fill-Rite Company**  
8825 Aviation Drive  
Fort Wayne, Indiana 46809 USA

**T** 1 (800) 720-5192  
**F** 1 (260) 747-7524  
**F** 1 (800) 866-4681



[fillrite.com](http://fillrite.com) | [sotera.com](http://sotera.com) | [gormanrupp.com](http://gormanrupp.com)