

FILL-RITE®

900 SERIES MECHANICAL METER

Installation and Operation Manual

901CL1.5, 901C, 901C1.5, 901CL, 901CL1.5X418 901CN1.5, 901CMK4200,
901CLMK4200, 901CLX418 901CLMK300, 901CIMP, 901CMK300,
901CMK300V 901CIMP1.5, 901CNL1.5X418, 901CLMK300V, 901CLN1.5



MADE IN 
USA
WITH GLOBAL MATERIALS


GORHAM-RUPP
COMPANY

Table of Contents

| | |
|-------------------------------------|---|
| Thank You! | 2 |
| About This Manual | 2 |
| Safety Information | 2 |
| Installation | 3 |
| Calibration | 3 |
| Procedure for Calibration | 4 |
| Operating Instructions | 4 |
| Maintenance | 4 |
| Cleaning Instructions | 4 |
| Storage | 4 |
| Troubleshooting Guide..... | 4 |
| Fluid Compatibility | 5 |
| Assembly and Disassembly | 5 |
| Repair | 5 |
| Safety Testing Approvals | 5 |
| 900 Series Meter Parts List | 6 |
| Replacement Parts Information | 7 |
| Fill-Rite Product Warranty | 8 |

Thank You!

Thank you for your purchase of the Fill-Rite 900 Series Meter! Your Fill-Rite product comes with over 80 years of fluid transfer experience behind it, providing you the value that comes with superior performance, user friendly design, long service life, and solid, simple engineering.

At Fill-Rite, your satisfaction with our products is paramount to us. If you have questions or need assistance with your product, please contact us at 1 (800) 720-5192 or via email at FillRiteTech@fillrite.com (M-F, 8 AM – 5 PM ET).



About This Manual

From initial concept and design through its final production, your Fill-Rite meter is built to give you years of trouble free use. To insure it provides that service, **it is critical that you read this entire manual prior to attempting to install or operate your new meter.** Become familiar with the terms and diagrams, and pay close attention to the highlighted areas with the following labels:



Indicates a hazardous situation which, if not avoided, will result in death or serious injury.



Emphasizes an area in which personal injury or even death may result from failure to follow instructions properly. Mechanical damage may also occur.



Failure to observe a “Caution” may cause damage to the equipment.



These boxes contain information that illustrates a point that may save time, or be key to proper operation, or clarifies a step.

Safety Information



This product should not be used to transfer fluids into any type of aircraft.



This product is not suited for use with fluids intended for human consumption or fluids containing water.

⚠ WARNING

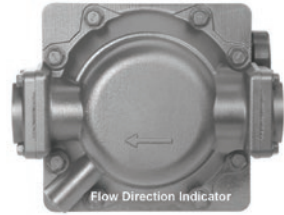
To insure safe and proper operation of your equipment, it is critical to read and adhere to all of the following safety warnings and precautions. Improper installation or use of this product can cause serious bodily injury or death!

1. **NEVER** smoke near the meter, or use the meter near open flames when metering a flammable liquid! Fire can result!
2. A "Fill-Rite" Filter should be used on the meter outlet to insure no foreign material is transferred to the fuel tank.
3. Threaded pipe joints and connections should be sealed with the appropriate sealant or sealant tape to minimize the possibility of leaks.
4. Storage tanks should be securely anchored to prevent shifting or tipping when full or empty.
5. To minimize static electricity build up, use only static wire conductive hose when metering flammable fluids, and keep the fill nozzle in contact with the container being filled during the filling process.
6. **DO NOT** exceed 50 psi/3.5 BARS line pressure.
7. **DO NOT** install additional foot valve or check valve without a pressure relief valve; cracking may result.

Installation

Meters are furnished for horizontal piping; left to right flow. Flow ports can be changed to any of four positions for horizontal or vertical piping and for either direction of flow.

1. Determine direction for fluid to flow.
2. Install meter **observing directional arrow on casting.**
3. Remove four screws (item 28).
4. Rotate meter cover assembly (item 37) to desired orientation.
5. Replace four screws (item 28).



⚠ CAUTION

Threaded pipe joints and connections should be sealed with the appropriate sealant or sealant tape to minimize the possibility of leaks.

NOTICE

If you have purchased this meter as part of a "Kit", the meter flange base is drilled with 4 holes. This allows the meter to be used with 300 and 700 series pumps. Line the meter bracket up for installation and insert the bolts in the two holes that align with the corresponding holes on the pump outlet. Once the meter bracket is bolted securely in place install the two plugs in the holes that were not used to prevent moisture from entering them.



Calibration

The Fill-Rite Series 900 meters can be calibrated for either U.S. gallons or liters. Calibration is required upon installation, after disassembly, after significant wear or when metering a different viscosity fluid. Depending on the model, Series 900 meters are factory calibrated in either U.S. gallons or liters using mineral spirit. Calibration must be done between 6 and 40 GPM (23 and 151 LPM). Meter calibration can be easily changed by following the calibration procedure. A container of **KNOWN** volume will be needed for the calibration procedure. For the 900 Series meter, a five gallon container or larger should be used.

Procedure for Calibration

1. For the most accurate calibration, install the meter in the application. Fill a container to a known volume with the liquid to be measured.
2. If meter amount is incorrect, turn calibration screw (item 31) counterclockwise for less liquid, or clockwise for more liquid.
3. Repeat steps 1 and 2 until calibration is acceptable.

Operating Instructions

For accurate measurement and to prevent meter damage, meter and piping must always be filled with liquid and free of air. Meter should be calibrated per instructions in this manual prior to its use.

1. Stop flow of liquid.
2. Reset register to "0".
3. Meter is ready for use. Start flow of liquid. Do not exceed 50 PSI of line pressure.

Maintenance

Your Fill-Rite 900 Series Meter should operate virtually maintenance free. Certain liquids, however, can dry out while in the meter housing, causing the meter to stop or perform poorly. If this happens, meter should be thoroughly cleaned.

Cleaning Instructions

Run a flushing fluid through the meter. For a more thorough cleaning, disassemble the meter per "ASSEMBLY / DISASSEMBLY" section, "Meter Chamber Assembly" subsection. Rinse all meter components thoroughly. Recalibrate meter following calibration instructions above.

NOTICE

When a meter is sent in for maintenance, it should be triple rinsed and accompanied by a note indicating what chemicals have been pumped through it. Meters that do not adhere to these specifications may be rejected.

Storage

If your meter is to be stored for a period of time, clean it thoroughly. This will help protect the meter from possible damage.

Troubleshooting Guide

The following troubleshooting guide is designed to help you with basic diagnostics and repairs if you should encounter abnormal service from your 900 Series Meter. We recommend you use only genuine Fill-Rite parts. These parts, and additional service information is available through your authorized Fill-Rite dealer.

Further troubleshooting information can be found in your pump manual. If you need additional assistance, please contact Technical Support at 1 (800) 720-5192 (M-F, 8 AM–5 PM ET).

| Concern | Possible Cause | Recommended Repair |
|--------------------------|--|---|
| Counter inaccurate | Meter mis-calibrated. | Check calibration and recalibrate as necessary (directions on page 4). |
| | Air in lines or metering chamber. | Check line seals and joints for leakage; seal leaks appropriately. |
| | Measuring gears or disc are sticking. | Clean or replace internal metering components as necessary. |
| Fluid leak at shaft seal | Dirty or damaged seal. | Clean O-Ring seal and seat, replace seal as necessary. |
| Low flow capacity | Clogged meter chamber. | Clean meter chamber; clean or replace screens and filters in piping. |
| Meter body cracks | Excess line pressure. | Install pressure relief valve to allow high pressure to bleed back to the tank. Replace cracked meter body. |
| Nutating Disc Broken | Sudden high pressure fluid hitting disc. | Avoid surge flows by installing a shut-off valve on outlet of meter; install meter as close to the pump as possible, keep piping full of liquid. Replace broken disc. |

Fluid Compatibility

The 900 series meter **IS** compatible with the following fluids:

Diesel Fuel, Gasoline, Kerosene, Mineral Spirits, Heptane, Hexane

The 900 series meter **IS NOT** compatible with the following fluids:

Bleach, Hydrochloric Acid, Ink, Sulfuric Acid, Salt Water

CAUTION

If in doubt about compatibility of a specific fluid, contact supplier of fluid to check for any adverse reactions to the following wetted materials:
Ryton®, Aluminum, Stainless Steel, Fluorocarbon, Buna N, Polyester, Teflon®, Nickel

Assembly and Disassembly

The 900 Series Meter consist of a chamber housing, measuring chamber, gear train, counter assembly, and cover. The design of the meter is such that it can be completely disassembled without disturbing the piping (refer to diagram on page 6 for item number parts).

Counter Assembly

For access to the counter assembly:

1. Remove the reset knob (item 15) by grasping the edges and pulling firmly away from the meter.
2. Remove the two screws (item 14) at the top and bottom of the front bezel.
3. Lift bezel (item 11) off.
4. Remove the two screws (item 12) to detach the counter face (item 13).
5. Remove the two screws (item 9) to extract the counter mechanism.
6. Reassemble by reversing this procedure.

Meter Chamber Assembly

The Meter Chamber consists of upper and lower chambers, a nutating disc, and four screws.

1. To expose the meter chamber assembly, gear train and seal remove 4 screws (item 28).
2. The meter chamber can be dislodged by removing 4 screws (item 5).

Reassemble by reversing this procedure.

NOTICE

If replacing any components of the meter chamber, the complete assembly must be replaced due to its precision method of construction. This will assure a proper fit, and correct operation of the chamber.

Gear Train and Seal

To disassemble the gear train and seal:

1. Remove two screws (item 8) and gear frame (item 6).
2. Remove the gear cluster (item 18), washer (item 19), and shaft (item 17).
3. Remove the drive gear (item 24) and washers (item 23) by rotating and pulling the drive gear.
4. Remove the O-ring seal (item 25).

NOTICE

When reassembling seal, lubricate O-ring with oil or petroleum jelly and replace in cover. Place washer on drive gear shaft. Carefully rotate and push shaft through O-ring and cover to prevent damage to O-ring. Shaft must then be guided into pinion bevel (item 27) if counter has not been removed. Replace remaining parts to complete assembly by reversing disassembly procedure.

Repair

Meters needing repairs should be taken to an authorized repair facility. Meters **MUST** be triple rinsed before taking them in for repairs.

Safety Testing Approvals

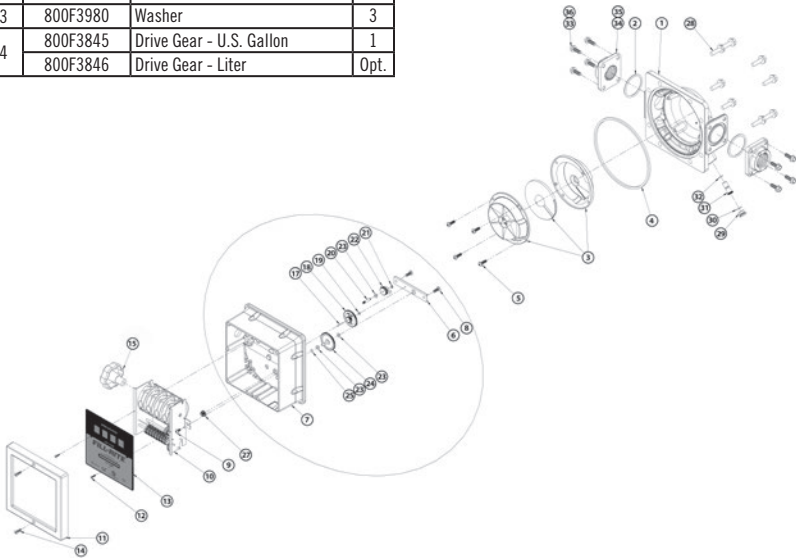
The Fill-Rite line of meters have been safety tested for compliance to the standards set forth by UL Laboratories.



900 SERIES METER PARTS LIST

| ITEM NO. | PART NO. | DESCRIPTION | QTY. |
|----------|-------------|--|------|
| 1 | 900F8051 | Meter Housing | 1 |
| | 900F8102 | Meter Housing-Nickel Plated | Opt. |
| | 900F8101 | Meter Housing-Teflon® Coated | Opt. |
| 2 | 300F7744 | Inlet/Outlet Gasket Buna-N | 2 |
| | 300F7788 | Inlet/Outlet Gasket Fluorocarbon | Opt. |
| 3 | 900F8087 | Meter Chamber Assembly | 1 |
| 4 | 900F8067 | Cover Gasket Buna-N | 1 |
| | 900F8068 | Cover Gasket Fluorocarbon | Opt. |
| 5 | 900G8886 | #10-24 x 5/8 TORX PH | 4 |
| 6 | 900F8066 | Gear Frame | 1 |
| 7 | 900F8053 | Meter Cover (Includes Item 20) | 1 |
| | 900F8104 | Meter Cover - Nickel Plated | Opt. |
| | 900F8103 | Meter Cover - PTFE Coated | Opt. |
| 8 | VP1400F8822 | #10-24 x 1/2 TORX | 2 |
| 9 | 900F4007 | #8-32 x 5/16 PHMS, ACR II, TT | 2 |
| 10 | 900F8070 | Counter Assembly - U.S. Gallon | 1 |
| | 900F8071 | Counter Assembly - Liter | Opt. |
| 11 | 900F8069 | Bezel | 1 |
| 12 | 35F1397 | # 4 x 3/8 PHTS | 2 |
| 13 | 900F8072 | Counter Face | 1 |
| | 900F8089 | Counter Face - Litre | Opt. |
| 14 | 900G8504 | #8 x 5/8 ZN/PL PH OVAL | 2 |
| 15 | 800G8870 | Knob | 1 |
| 17 | 800F3820 | Shaft - Cluster Gear | 1 |
| 18 | 800F3841 | Cluster Gear - U.S. Gallon | 1 |
| | 800F3843 | Cluster Gear - Liter | Opt. |
| 19 | 800F3830 | Washer | 1 |
| 20 | 900F8063 | Driver Pinion Shaft (Included with Item 7) | 1 |
| 21 | 900F8065 | Retaining Ring | 1 |
| 22 | 900F8064 | Driver Pinion | 1 |
| 23 | 800F3980 | Washer | 3 |
| 24 | 800F3845 | Drive Gear - U.S. Gallon | 1 |
| | 800F3846 | Drive Gear - Liter | Opt. |

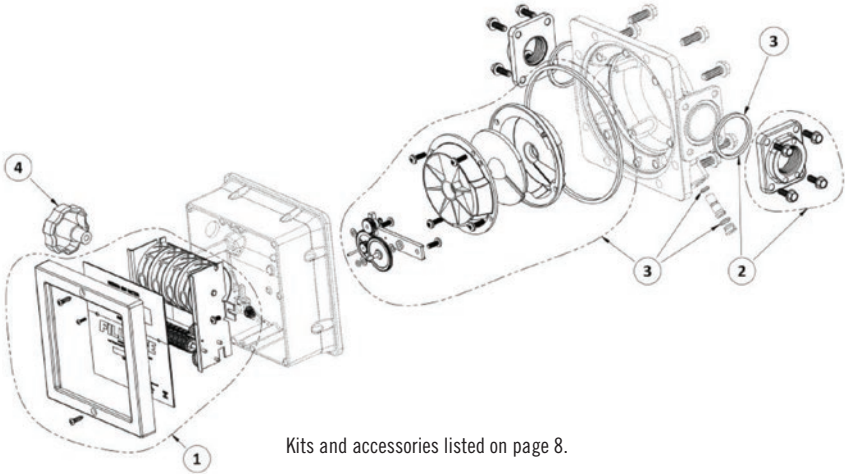
| ITEM NO. | PART NO. | DESCRIPTION | QTY. |
|----------|-----------|---|------|
| 25 | 800F4191 | O-Ring (5-106) Fluorocarbon | 1 |
| 27 | 800F3959 | Pinion Bevel | 1 |
| 28 | 700F2810 | 5/16-18 x 7/8 HHCS | 4 |
| 29 | 900F8158 | Seal Screw | 1 |
| 30 | 800F4449 | O-Ring (-012) Fluorocarbon | 1 |
| 31 | 900F8160 | Adjustment Screw (Includes Item 32) | 1 |
| 32 | 900F8159 | O-Ring (-010) (Included in Item 31) Fluorocarbon | 1 |
| 33 | 1200F6721 | 1/4-20 x 3/4 HHCS (1" meters) | 8 |
| 34 | 900F8076 | 1" Meter Flange | 2 |
| | 900F8106 | 1" Meter Flange - Nickel Plated | Opt. |
| | 900F8105 | 1" Meter Flange - PTFE Coated | Opt. |
| 35 | 900F8092 | 1-1/2" Meter Flange | Opt. |
| | 900F8110 | 1-1/2" Meter Flange Nickel Plated | Opt. |
| | 900F8109 | 1-1/2" Meter Flange PTFE Coated | Opt. |
| 36 | 900F8091 | 1/4-20 x 1-1/2 HHCS (1-1/2" meters) | Opt. |
| 37 | 900F8045 | Meter Cover Assembly U.S. Gallon | 1 |
| | 900F8047 | Meter Cover Assembly - U.S. Gallon, Nickel Plated | Opt. |
| | 900F8046 | Meter Cover Assembly - U.S. Gallon, PTFE Coated | Opt. |
| | 900F8048 | Meter Cover Assembly - Liter | Opt. |
| | 900F8050 | Meter Cover Assembly - Liter, Nickel Plated | Opt. |
| | 900F8049 | Meter Cover Assembly - Liter, PTFE Coated | Opt. |



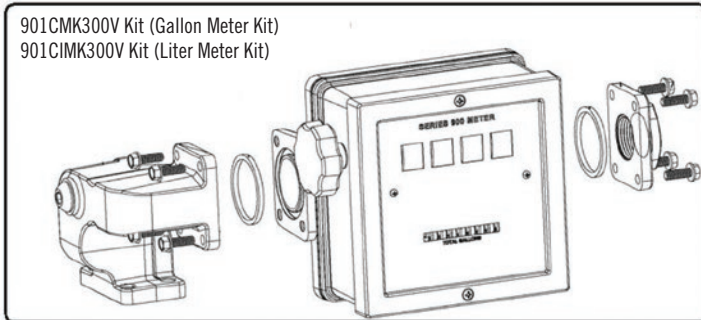
Replacement Parts Information

Replacement parts can be obtained through any authorized Fill-Rite dealer. Be sure to use only genuine Fill-Rite replacement parts for your service and maintenance needs. For a list of authorized dealers, please visit our web site at fillrite.com.

Models: 901, 901N, 9011.5, 901MK300, 901MK300V, 901LMK300V, & 901MK4200



Kits and accessories listed on page 8.



Replacement Parts Information (Continued)

| Kit # | Kit | Description | Contents |
|-------|---|---|---|
| 1 | KIT900GR (Gallons) KIT900LR (Liters) | 900 Series Meter Register Kit | Face Plate, Register, Attaching Hardware |
| 2 | KIT900PF1N | 1" Meter Flange Kit (NPT) | 1" NPT Meter flanges, O-rings, attaching hardware |
| 2 | KIT900PF1.5N | 1.5" Meter Flange Kit (NPT) | 1.5" NPT Meter flanges, O-rings, attaching hardware |
| 2 | KIT900PF1B | 1" Meter Flange Kit (BSPT) | 1" BSPT Meter flanges, O-rings, attaching hardware |
| 2 | KIT900PF1.5B | 1.5" Meter Flange Kit (BSPT) | 1.5" BSPT Meter flanges, O-rings, attaching hardware |
| 3 | 900KT | Metering and Seal Kit | Metering Chamber, Drive Gears, Associated Seals |
| 4 | 800G8870 | Reset Knob | Reset Knob |
| | 901MK300V | 900 Series Meter (gallons) with Inlet Flange for FR300 & FR700 Pumps | 900 Series Meter (gallons) |
| | | | Inlet Flange (4-hole) |
| | | | Required O-rings |
| | | | Required Fasteners |
| | 901LMK300V | 900 Series Meter (liters) with Inlet Flange for FR300 & FR700 Pumps | 900 Series Meter (liters) |
| | | | Inlet Flange (4-hole) |
| | | | Required O-rings |
| | | | Required Fasteners |

Fill-Rite Product Warranty

Fill-Rite ("Manufacturer") warrants each consumer buyer of its Fill-Rite products ("Buyer") from the date of invoice or sales receipt, that goods of its manufacture ("Goods") shall be free from defects of materials and workmanship. Duration of the warranty is as follows:

- Heavy Duty Products – Two Years
- Standard Duty Products – One Year
- Economy Duty Products – One Year
- Cabinet Meters, Parts, and Accessories – One Year

Manufacturers sole obligation under the foregoing warranties will be limited to either – at Manufacturers option – repairing or replacing defective goods (subject to limitations hereinafter provided) or refunding the purchase price for such Goods theretofore paid by the buyer, and Buyers exclusive remedy for breach of any such warranties will be enforcement of such obligations of the Manufacturer. If the Manufacturer so requests the return of such Goods, the Goods will be redelivered to the manufacturer in accordance with Manufacturers instructions FOB Factory. The remedies contained herein shall constitute the sole recourse of the Buyer against the Manufacturer for breach of warranty. **IN NO EVENT SHALL THE MANUFACTURER'S LIABILITY FOR ANY CLAIM FOR DAMAGES ARISING OUT OF THE MANUFACTURE, SALE, DELIVERY, OR USE OF THE GOODS EXCEED THE PURCHASE PRICE.** The foregoing warranties will not extend to goods subject to misuse, neglect, accident, improper installation or maintenance, or have been repaired by anyone other than the Manufacturer or its authorized representative. **THE FOREGOING WARRANTIES ARE EXCLUSIVE AND IN LIEU OF ALL OTHER WARRANTIES OF MERCHANTABILITY, FITNESS FOR PURPOSE OF ANY OTHER TYPE, WHETHER EXPRESSED OR IMPLIED.** No person may vary the forgoing warranties or remedies, except in writing signed by a duly authorized officer of the Manufacturer. The Buyer's acceptance of delivery of the Goods constitutes acceptance of the foregoing warranties and remedies, and all conditions and limitations thereof.

Fill-Rite Company recommends you retain your sales receipt as proof of purchase.

FILL-RITE®

COMPTEUR MÉCANIQUE SÉRIE 900

Manuel d'installation et d'utilisation

901CL1.5, 901C, 901C1.5, 901CL, 901CL1.5X418 901CN1.5, 901CMK4200,
901CLMK4200, 901CLX418 901CLMK300, 901CIMP, 901CMK300,
901CMK300V 901CIMP1.5, 901CNL1.5X418, 901CLMK300V, 901CLN1.5



MADE IN 
USA
WITH GLOBAL MATERIALS


GORHAM-RUPP
COMPANY

Sommaire

| | |
|--|---|
| Merci! | 2 |
| À propos de ce manuel | 2 |
| Informations sur la sécurité | 2 |
| Installation | 3 |
| Étalonnage | 3 |
| Procédure de calibrage | 3 |
| Instructions opérationnelles | 4 |
| Maintenance | 4 |
| Instructions de nettoyage | 4 |
| Stockage | 4 |
| Guide de dépannage..... | 4 |
| Compatibilité des fluides | 5 |
| Montage et démontage | 5 |
| Réparation | 5 |
| Homologations des tests de sécurité | 5 |
| Liste des pièces des compteurs de la série 900 | 6 |
| Informations sur les pièces de rechange | 7 |
| Garantie produit Fill-Rite | 8 |

Merci!

Nous vous remercions d'avoir acheté le compteur Fill-Rite de Série 900 ! Votre produit Fill-Rite a derrière lui une expérience de plus de 80 ans dans le transfert de fluide et vous apporte la valeur qui découle d'une performance supérieure, d'un modèle convivial, d'une longue durée de vie et d'une construction solide et simple.

Chez Fill-Rite, votre satisfaction avec nos produits est primordial pour nous. Si vous avez des questions ou si vous avez besoin d'aide concernant ce produit, s'il vous plaît contactez-nous au 1 (800) 720-5192 ou par courriel à FillRiteTech@fillrite.com (du lundi au vendredi, de 8 h 00 à 17 h 00 HE).

FILL-RITE

A GORMAN-RUPP COMPANY

À propos de ce manuel

De la conception et du plan initiaux à la fabrication finale, votre compteur Fill-Rite a été fabriqué pour apporter des années d'utilisation sans incident. Pour s'assurer qu'il offre ce service, **il est essentiel de lire le présent manuel dans son intégralité avant de tenter d'installer ou de faire fonctionner votre nouveau compteur.** Familiarisez-vous avec les termes et les schémas, et faites attention aux parties en surbrillance sur les étiquettes suivantes :

⚠ DANGER

Indique une situation dangereuse qui, si elle n'est pas évitée, entraînera la mort ou des blessures graves.

⚠ AVERTISSEMENT

Souligne des circonstances qui présentent un danger de blessure, voire de mort, si les instructions ne sont suivies comme il se doit. Des dommages mécaniques sont également possibles.

⚠ ATTENTION

Mise en garde qui doit être observée pour éviter d'endommager le matériel.

AVIS

Ces encadrés contiennent des informations qui illustrent un point susceptible de faire gagner du temps ou essentiel au bon fonctionnement ou qui clarifient une étape.

Informations sur la sécurité

⚠ AVERTISSEMENT

Ce produit ne doit pas être utilisé pour transférer un quelconque type de carburant pour l'aviation.

⚠ AVERTISSEMENT

Ce produit ne convient pas à une utilisation avec des liquides prévus pour la consommation humaine ou animale ni avec des liquides contenant de l'eau.

AVERTISSEMENT

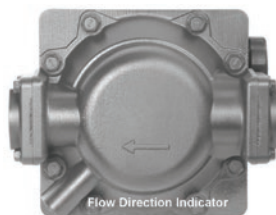
Pour assurer fonctionnement sûr et approprié de votre matériel, il est essentiel de lire et de tenir compte de l'ensemble des avertissements et précautions de sécurité suivants. Une mauvaise installation ou utilisation de ce produit peut entraîner de graves blessures corporelles voire même la mort !

1. Ne fumez **JAMAIS** près d'un compteur, et n'utilisez pas le compteur près d'une flamme nue lorsque vous mesurez un liquide inflammable. Un incendie pourrait se produire !
2. Un filtre « Fill-Rite » doit être utilisé sur la sortie du débitmètre pour qu'aucun matériau étranger ne s'infilte dans le réservoir de carburant.
3. Les joints et les raccords filetés des tubes doivent être rendus étanches avec l'agent d'étanchéité ou le ruban d'étanchéité approprié afin de minimiser les risques de fuite.
4. Les réservoirs de stockage doivent être bien fixés pour éviter le déplacement ou le basculement lorsqu'ils sont pleins ou vides.
5. Afin de minimiser l'électricité statique, utilisez uniquement des tuyaux conducteurs à fil statique pour mesurer de fluides inflammables, et maintenez le pistolet de remplissage en contact avec le récipient pendant le processus de remplissage.
6. Ne dépassez **PAS** 3,5 bar (50 psi) de pression de ligne.
7. N'installez **PAS** de clapet de pied ni de clapet de retenue sans une soupape de décharge car le compteur pourrait se fêler.

Installation

Les compteurs sont fournis pour une tuyauterie horizontale à débit allant de gauche à droite. Les orifices de débit peuvent être modifiés dans l'une des quatre positions pour une tuyauterie horizontale ou verticale, et pour tout sens de débit.

1. Déterminez le sens du fluide qui s'écoule.
2. Installez le compteur en observant la flèche directionnelle sur la coulée.
3. Retirez quatre vis (article 28).
4. Tournez le couvercle du compteur (article 37) dans l'orientation désirée.
5. Remettez les quatre vis (article 28) en place.


ATTENTION

Les joints et les raccords filetés des tubes doivent être rendus étanches avec l'agent d'étanchéité ou le ruban d'étanchéité approprié afin de minimiser les risques de fuite.

AVIS

Si vous avez acheté ce compteur dans un « kit », la base de la bride du compteur est percée de quatre trous. Ceci permet de l'utiliser avec les pompes des séries 300 et 700. Alignez le support du compteur pour l'installation et insérez les boulons dans les deux trous alignés avec les orifices correspondants de la sortie de pompe. Lorsque le support du compteur est bien boulonné, insérez les deux bouchons dans les trous non pour éviter l'infiltration de l'humidité.



Étalonnage

Les compteurs Fill-Rite de Série 900 peuvent être calibrés pour des gallons américains ou des litres. Le calibrage est nécessaire après l'installation, un démontage, une usure significative ou avec un fluide d'une viscosité différente. En fonction du modèle, les compteurs de Série 900 sont calibrés en usine soit en gallons américains soit en litres à l'aide d'essence minérale. Le calibrage doit être réalisé entre 23 et 151 l/min (6 à 40 gal/min). Le calibrage du compteur peut être facilement modifié en suivant la procédure prévue. Un récipient d'un volume **CONNU** est requis pour la procédure de calibrage. Pour le compteur de Série 900, il faut utiliser un conteneur d'au moins 19 litres ou plus (5 gallons ou plus).

Procédure de calibrage

1. Pour obtenir le calibrage plus précis possible, installez le compteur dans l'application. Remplissez un conteneur d'un volume connu avec le liquide à mesurer.
2. Si la quantité du compteur est incorrecte, faites tourner la vis de calibrage (article 31) dans le sens contraire des aiguilles pour moins de liquide ou dans le sens des aiguilles d'une montre pour plus de liquide.
3. Répétez les étapes 1 et 2 jusqu'à ce que le calibrage soit acceptable.

Instructions opérationnelles

Pour obtenir une mesure précise et éviter d'endommager le compteur, le compteur et la tuyauterie doivent toujours être remplis de liquide et sans air. Le compteur doit être calibré conformément aux instructions de ce manuel avant son utilisation.

1. Arrêtez l'écoulement du liquide.
2. Réinitialisez l'enregistreur à "0".
3. Le compteur est prêt à l'emploi. Démarrez l'écoulement du liquide. Ne dépassez pas 3,5 bar (50 psi) de pression de ligne.

Maintenance

Votre compteur Fill-Rite série 900 devrait fonctionner pratiquement sans entretien. Néanmoins, certains liquides peuvent se dessécher dans le carter de compteur, entraînant l'arrêt ou le mauvais fonctionnement du compteur. Dans ce cas, le compteur doit être complètement nettoyé.

Instructions de nettoyage

Faites passer un liquide de rinçage dans le compteur. Pour un nettoyage plus approfondi, démontez le compteur selon la section « ASSEMBLAGE / DÉMONTAGE », la sous-section « Ensemble de la chambre du compteur ». Rincez tous les composants du compteur à fond. Recalibrez les instructions de calibrage suivantes ci-dessus.

AVIS

Lorsqu'un compteur est envoyé pour réparation, il doit être rincé trois fois et accompagné d'une note mentionnant les produits chimiques pompés. Les compteurs ne respectent pas ces instructions pourront être refusés.

Stockage

Si votre compteur est rangé pendant un certain temps, nettoyez-le soigneusement. Ceci contribue à le protéger des éventuels dommages.

Guide de dépannage

Le guide de dépannage suivant a été conçu pour vous aider à établir les diagnostics et réparations de base en cas de fonctionnement anormal de votre compteur de la série 900. Nous recommandons l'usage des pièces d'origine Fill-Rite uniquement. Ces pièces, ainsi que des informations supplémentaires, sont disponibles auprès de votre distributeur agréé Fill-Rite.

D'autres informations de dépannage figurent dans votre manuel de pompe. Si vous avez besoin d'une assistance supplémentaire, contactez-nous au le support technique au 1 (800) 720-5192 (M-V, 8 AM-5 PM ET).

| Souci | Cause probable | Réparation conseillée |
|---|--|---|
| Compteur inexact | Compteur mal calibré. | Vérifiez la calibration et calibrez à nouveau le cas échéant (les instructions se trouvent à la page 4). |
| | Il y a de l'air dans les conduites ou dans la chambre de mesure. | Vérifiez les fuites des joints d'étanchéité et des joints de la conduite ; rendez-les étanches de façon appropriée. |
| | Les engrenages ou disques de mesure sont grippés. | Nettoyez ou remplacez les composants internes le cas échéant. |
| Fuite de liquide au niveau de la garniture d'étanchéité d'arbre | Garniture sale ou endommagée. | Nettoyez la garniture d'étanchéité et le siège du joint torique, remplacez la garniture selon les besoins. |
| Faible pouvoir d'écoulement | La chambre de compteur est bouchée. | Nettoyez la chambre du compteur ; nettoyez ou remplacez les tamis et les filtres de la tuyauterie. |
| Le corps du compteur se fêle | Pression de ligne excessive. | Installez une soupape de décharge pour que la haute pression soit purgée vers le réservoir. Remplacez le corps de compteur fêlé. |
| Disque oscillant cassé | Une haute pression soudaine a touché le disque. | Évitez les écoulements en surpression en installant une vanne d'isolement à la sortie du compteur ; installez le compteur aussi près que possible de la pompe, gardez la tuyauterie pleine de liquide. Remplacez le disque cassé. |

Compatibilité des fluides

Le compteur de la Série 900 **EST compatible avec les liquides suivants** :

Diesel, Essence, Kérosène, Essences minérales, Heptane, Hexane

Le compteur de la Série 900 **N'EST PAS compatible avec les liquides suivants** :

Eau de javel, Acide chlorhydrique, Encre, Acide sulfurique, Eau salée

⚠ ATTENTION

En cas de doute sur la compatibilité d'un fluide spécifique, contactez son fournisseur pour vérifier toute réaction aux matériaux mouillés suivants :
Ryton®, Aluminium, Acier inoxydable, Fluorocarbonate, Buna N, Polyester, Teflon®, Nickel

Montage et démontage

Le compteur de la série 900 comporte un boîtier de chambre, une chambre de mesure, un arbre d'entraînement, un ensemble de compteur et en couvercle. La conception du compteur autorise son démontage complet sans déranger toute la tuyauterie (reportez-vous au schéma de la page 6 pour les numéro des pièces).

Ensemble de compteur

Pour accéder à l'ensemble de compteur :

1. Retirez le bouton de remise en position (article 15) en saisissant les bords et en l'écartant fermement du compteur.
2. Retirez les deux vis (article 14) en haut et en bas de la collerette avant.
3. Enlevez la collerette (article 11).
4. Retirez les deux vis (article 12) pour détacher la face du compteur (article 13).
5. Retirez les deux vis (article 9) pour extraire le mécanisme du compteur.
6. Remontez en inversant cette procédure.

Ensemble de la chambre du compteur

La chambre du compteur comporte de chambres supérieures et inférieures, un disque oscillant et quatre vis.

1. Pour exposer l'ensemble de la chambre du compteur, l'arbre d'entraînement et le joint d'étanchéité, retirez 4 vis (article 28).
2. La chambre du compteur peut être dégagée en enlevant 4 vis (article 5).

Remontez en inversant cette procédure.

AVIS

Si vous devez remplacer un composant de la chambre du compteur, tout l'ensemble doit être remplacé à cause de la méthode de construction précise. Ainsi, la chambre s'adaptera parfaitement et fonctionnera bien.

Arbre d'entraînement et joint d'étanchéité

Pour démonter l'arbre d'entraînement et le joint d'étanchéité :

1. Retirez deux vis (article 8) et le cadre d'engrenage (article 6).
2. Retirez le groupe d'engrenages (article 18), la rondelle (article 19) et l'arbre (article 17).
3. Retirez l'engrenage (article 24) et les rondelles (article 23) en faisant tourner et tirant l'engrenage.
4. Retirez le joint torique (article 25).

AVIS

Lors du remontage du joint, lubrifiez le joint torique avec de l'huile ou de la vaseline et remettez en place dans le couvercle. Mettez la rondelle sur l'arbre d'entraînement. Faites soigneusement tourner et enfoncez l'arbre dans le joint torique et le couvrez pour éviter d'endommager le joint torique. L'arbre doit alors être guidé dans le cône du pignon (article 27) si le compteur n'a pas été retiré. Remettez les pièces restantes en place pour compléter l'assemblage en inversant la procédure de démontage.

Réparation

Les compteurs devant être réparés doivent être apportés à une installation de réparation agréé. Les compteurs DOIVENT être rincés trois fois avant de partir en réparation.

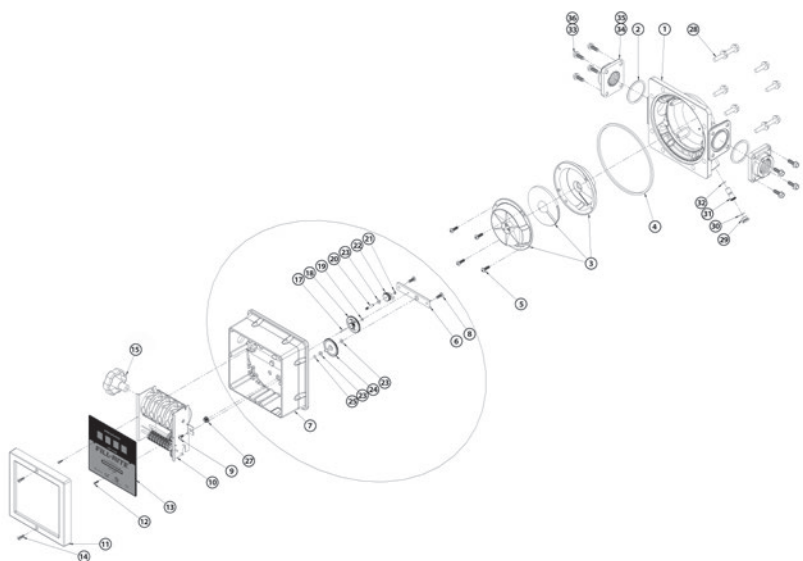
Homologations des tests de sécurité

La sécurité de la gamme de compteurs Fill-Rite a été testée en conformité aux normes établies par UL Laboratories.



Liste des pièces des compteurs de la série 900

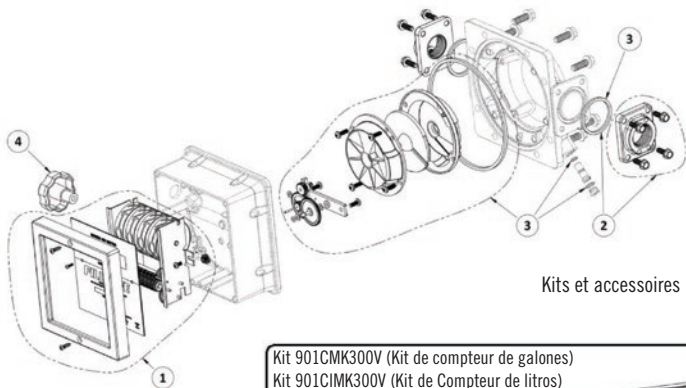
| N.° | PIÈCE N° | DESCRIPTION | QTÉ | N.° | PIÈCE N° | DESCRIPTION | QTÉ | |
|-----|-------------|--|------|----------|----------|---|---|---|
| 1 | 900F8051 | Boîtier du compteur | 1 | 25 | 800F4191 | Joint torique (5-106) Fluorocarbone | 1 | |
| | 900F8102 | Boîtier du compteur - Nickelé | Opt. | 27 | 800F3959 | Pignon conique | 1 | |
| | 900F8101 | Boîtier du compteur - revêtu de Téflon® | Opt. | 28 | 700F2810 | 5/16-18 x 7/8 HHCS | 4 | |
| 2 | 300F7744 | Joint d'entrée/sortie Buna-N | 2 | 29 | 900F8158 | Vis d'étanchéité | 1 | |
| | 300F7788 | Joint d'entrée/sortie Fluorocarbone | Opt. | 30 | 800F4449 | Joint torique (-012) Fluorocarbone | 1 | |
| 3 | 900F8087 | Assemblage de la chambre du compteur | 1 | 31 | 900F8160 | Vis de réglage (comprend l'article 32) | 1 | |
| 4 | 900F8067 | Joint de couvercle Buna-N | 1 | 32 | 900F8159 | Joint torique (-010) (inclus dans l'article 31) Fluorocarbone | 1 | |
| | 900F8068 | Joint de couvercle Fluorocarbone | Opt. | | 33 | 1200F6721 | 1/4-20 x 3/4 HHCS (1" mètres) | 8 |
| 5 | 900G8886 | #10-24 x 5/8 TORX PH | 4 | 34 | 900F8076 | Bride de compteur de 1" | 2 | |
| 6 | 900F8066 | Cadre d'engrenage | 1 | | 900F8106 | Bride de compteur de 1 po - Nickelée | Opt. | |
| 7 | 900F8053 | Couvercle du compteur (inclut l'article 20) | 1 | | 900F8105 | Bride de compteur de 1 po - revêtu de PTFE | Opt. | |
| | 900F8104 | Couvercle de compteur - Nickelé | Opt. | 35 | 900F8092 | Bride de compteur 1-1/2" | Opt. | |
| | 900F8103 | Couvercle de compteur - Revêtement PTFE | Opt. | | 900F8110 | Bride de compteur 1-1/2" Nickelée | Opt. | |
| 8 | VP1400F8822 | #10-24 x 1/2 TORX | 2 | | 900F8109 | Bride de compteur 1-1/2" recouverte de PTFE | Opt. | |
| 9 | 900F4007 | #8-32 x 5/16 PHMS, ACR II, TT | 2 | 36 | 900F8091 | 1/4-20 x 1-1/2 HHCS (1-1/2" mètres) | Opt. | |
| 10 | 900F8070 | Assemblage de comptoir - Gallon U.S. | 1 | | 37 | 900F8045 | Assemblage de couvercle de compteur - Gallon U.S. | 1 |
| | 900F8071 | Assemblage de compteur - Litre | Opt. | 900F8047 | | Assemblage de couvercle de compteur - Gallon U.S., nickelé | Opt. | |
| 11 | 900F8069 | Facette | 1 | 900F8046 | | Assemblage de couvercle de compteur - Gallon U.S., revêtu de PTFE | Opt. | |
| 12 | 35F1397 | # 4 x 3/8 PHTS | 2 | 900F8048 | | Assemblage de couvercle de compteur - Litre | Opt. | |
| | 900F8072 | Face du comptoir | 1 | 900F8050 | | Assemblage de couvercle de compteur - Litre, nickelé | Opt. | |
| 13 | 900F8089 | Face du compteur - Litre | Opt. | 900F8049 | | Assemblage de couvercle de compteur - Litre, revêtu de PTFE | Opt. | |
| 14 | 900G8504 | #8 x 5/8 ZN/PL PH OVAL | 2 | | | | | |
| 15 | 800G8870 | Bouton | 1 | | | | | |
| 17 | 800F3820 | Arbre - Engrenage en grappe | 1 | | | | | |
| 18 | 800F3841 | Engrenage groupé - Gallon américain | 1 | | | | | |
| | 800F3843 | Cluster Gear - Litre | Opt. | | | | | |
| 19 | 800F3830 | Rondelle | 1 | | | | | |
| 20 | 900F8063 | Arbre de pignon d'entraînement (inclus avec l'article 7) | 1 | | | | | |
| 21 | 900F8065 | Anneau de retenue | 1 | | | | | |
| 22 | 900F8064 | Pilote de pignon | 1 | | | | | |
| 23 | 800F3980 | Rondelle | 3 | | | | | |
| 24 | 800F3845 | Engrenage d'entraînement - gallon américain | 1 | | | | | |
| | 800F3846 | Pignon d'entraînement - Litre | Opt. | | | | | |



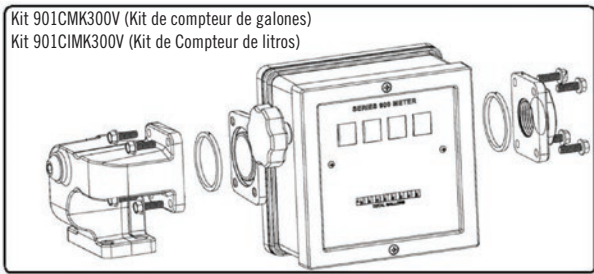
Informations sur les pièces de rechange

Les pièces de rechange peuvent être obtenues auprès d'un distributeur agréé Fill-Rite. S'assurer de n'utiliser que des pièces de rechange originales de Fill-Rite pour l'entretien et les réparations. Pour obtenir une liste de concessionnaires agréés, prière de consulter notre site Web à Fillrite.com.

Modèles: 901, 901N, 9011.5, 901MK300, 901MK300V, 901LMK300V, & 901MK4200



Kits et accessoires listés en page 8.



Kit 901CMK300V (Kit de compteur de gallons)

Kit 901CIMK300V (Kit de Compteur de litros)

Informations sur les pièces de rechange (suite)

| N.° Kit | Kit | Description | Contenu |
|---------|---|--|---|
| 1 | KIT900GR (Gallons) KIT900LR (Litres) | Kit d'enregistreur de compteur de Série 900 | Plaque de face, enregistreur, éléments de fixation |
| 2 | KIT900PF1N | Kit de bride de compteur 1" (NPT) | Brides de compteur 1" NPT, joints toriques, éléments de fixation |
| 2 | KIT900PF1.5N | Kit de bride de compteur 1,5" (NPT) | Brides de compteur 1,5" NPT, joints toriques, éléments de fixation |
| 2 | KIT900PF1B | Kit de bride de compteur 1" (BSPT) | Brides de compteur 1" BSPT, joints toriques, éléments de fixation |
| 2 | KIT900PF1.5B | Kit de bride de compteur 1,5" (BSPT) | Brides de compteur 1,5" BSPT, joints toriques, éléments de fixation |
| 3 | 900KT | Kit de mesure et de joints d'étanchéité | Chambre de mesure, engrenages, joints connexes |
| 4 | 800G8870 | Bouton de remise en position | Bouton de remise en position |
| | 901MK300V | Compteur de Série 900 (gallons) avec bride d'entrée pour les pompes FR300 et FR700 | Compteur de la Série 900 (gallons) |
| | | | Bride d'entrée (4 trous) |
| | | | Joints toriques requis |
| | | | Attaches requises |
| | 901LMK300V | Compteur de Série 900 (litres) avec bride d'entrée pour les pompes FR300 et FR700 | Compteur de la Série 900 (litres) |
| | | | Bride d'entrée (4 trous) |
| | | | Joints toriques requis |
| | | | Attaches requises |

Garantie produit Fill-Rite

Fill-Rite (« Fabricant ») garantit à chaque acheteur-consommateur de ses produits Fill-Rite (« Acheteur ») à compter de la date de la facture ou du ticket de caisse, que les marchandises de sa fabrication (« Marchandises ») sont exemptes de tout vice de matériel et fabrication. La garantie dure comme suit :

- Produits à usage intensif – Deux ans
- Produits d'usage normal – Un an
- Produits d'usage économique - Un an
- Compteurs pour armoires, pièces et accessoires - Un an

La seule obligation du Fabricant au titre des garanties énoncées précédemment sera limitée - à la discrétion du Fabricant - au remplacement ou à la réparation des marchandises défectueuses (sous réserve des restrictions énoncées ci-après), ou bien au remboursement du prix d'achat pour lesdites Marchandises pour autant qu'elles soient payées par l'acheteur, et le recours exclusif de l'acheteur pour rupture desdites garanties sera la mise en application desdites obligations du Fabricant. Si le Fabricant demande donc le retour des Marchandises, celles-ci seront relivrées FOB usine au Fabricant conformément aux instructions du Fabricant. Les recours contenus dans les présentes devront constituer le seul et unique recours de l'Acheteur contre le Fabricant pour violation de garantie. **LE FABRICANT NE DEVRA EN AUCUN CAS ÊTRE TENU RESPONSABLE DE TOUTE RÉCLAMATION POUR DES DOMMAGES RÉSULTANT DE LA FABRICATION, DE LA VENTE, DE LA LIVRAISON OU DE L'UTILISATION DES MARCHANDISES ET SUPÉRIEURS AU PRIX D'ACHAT.** Les garanties énoncées précédemment ne s'étendront pas aux marchandises soumises à une mauvaise utilisation, à une négligence, un accident, une pose ou une maintenance inappropriée, ou qui ont été réparées ou modifiées par quiconque autre que le Fabricant ou son représentant agréé. **LES GARANTIES ÉNONCÉES PRÉCÉDEMMENT SONT EXCLUSIVES ET TIENNENT LIEU ET PLACE DE TOUTES LES AUTRES GARANTIES DE QUALITÉ MARCHANDE OU LOYALE DE TOUT AUTRE TYPE, QU'ELLES SOIENT EXPRESSES OU TACITES.** Personne ne peut modifier les garanties ou recours précédemment énoncés sauf écrit et avec la signature d'un membre de la direction du Fabricant dûment autorisé. L'acceptation par l'Acheteur de la livraison des Marchandises constitue l'acceptation des garanties et recours précédemment énoncés ainsi que de toutes les conditions et restrictions correspondantes.

Fill-Rite Company vous recommande de conserver votre ticket de caisse en tant que reçu.

FILL-RITE®

MEDIDORES MECÁNICOS SERIE 900

Manual de instalación y operación

901CL1.5, 901C, 901C1.5, 901CL, 901CL1.5X418 901CN1.5, 901CMK4200,
901CLMK4200, 901CLX418 901CLMK300, 901CIMP, 901CMK300,
901CMK300V 901CIMP1.5, 901CNL1.5X418, 901CLMK300V, 901CLN1.5



MADE IN 
WITH GLOBAL MATERIALS


GORMAN-RUPP
COMPANY

Índice

| | |
|---|---|
| ¡Gracias! | 2 |
| Acerca de este manual | 2 |
| Información de seguridad | 2 |
| Instalación | 3 |
| Calibración | 3 |
| Procedimiento para calibración | 4 |
| Instrucciones de operación | 4 |
| Mantenimiento | 4 |
| Instrucciones de limpieza | 4 |
| Almacenamiento | 4 |
| Guía de solución de problemas | 4 |
| Compatibilidad con fluidos | 5 |
| Montaje y Desmontaje | 5 |
| Reparar | 5 |
| Aprobaciones de pruebas de seguridad | 5 |
| Lista de piezas del medidor de la serie 900 | 6 |
| Información sobre repuestos | 7 |
| Garantía del producto Fill-Rite | 8 |

¡Gracias!

Gracias por adquirir la Fill-Rite serie 900 medidor! Su producto Fill-Rite cuenta con más de 80 años de experiencia en transferencia de líquidos, lo que le brindará valor, junto con un rendimiento superior, un diseño fácil de usar, una larga vida útil y un diseño de ingeniería simple y resistente.

En Fill-Rite, su satisfacción con nuestros productos es primordial para nosotros. Si tiene preguntas o necesita ayuda con su producto, por favor contáctenos al 1 (800) 720-5192 o por correo electrónico a FillRiteTech@fillrite.com (de lunes a viernes, de 8 a. m. a 5 p. m., hora del Este).



Acerca de este manual

Desde el concepto y el diseño inicial hasta el producto final, el medidor Fill-Rite se fabrica para darle años de servicio sin ningún problema. Para garantizar dicho servicio, **es fundamental que lea por completo este manual antes de intentar instalar y operar su nuevo medidor.** Familiarícese con los términos y diagramas, y preste mucha atención a las áreas destacadas con las siguientes etiquetas:

⚠ PELIGRO

Indica una situación peligrosa que, si no se evita, provocará la muerte o lesiones graves.

⚠ ADVERTENCIA

Destaca un área en que se pueden producir lesiones corporales e incluso la muerte si no se siguen las instrucciones de manera adecuada. También se pueden producir daños mecánicos.

⚠ PRECAUCIÓN

No prestar atención al aviso de "Precaución" podría provocar daños al equipo.

AVISO

Estos cuadros contienen información que ilustra un punto que podría ahorrar tiempo o ser clave para la operación adecuada, o que clarifica un paso.

Información de seguridad

⚠ ADVERTENCIA

Este producto no se debe usar para transferir ningún tipo de combustible usado en la aviación.

⚠ ADVERTENCIA

Este producto no es apto para su uso con líquidos destinados al consumo humano o líquidos que contengan agua.

⚠ ADVERTENCIA

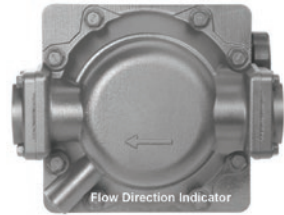
Para garantizar la operación segura y adecuada del equipo, es fundamental que lea y respete todas las precauciones y advertencias de seguridad que se indican a continuación. La instalación o el uso incorrectos de este producto pueden provocar lesiones corporales graves o la muerte.

1. **NUNCA** fume cerca del medidor ni lo utilice cerca de una llama mientras mida un líquido inflamable. Se puede producir un incendio.
2. En la salida del medidor se debe usar un filtro Fill-Rite para garantizar que ningún material extraño se transfiera al tanque de combustible.
3. Las juntas de tuberías roscadas y las conexiones se deberían sellar con un sellador adecuado o cinta selladora para minimizar las posibilidades de filtraciones.
4. Los tanques de almacenamiento deben estar correctamente anclados para evitar su desplazamiento o volcamiento cuando estén llenos o vacíos.
5. Para minimizar la acumulación de electricidad estática, utilice solo una manguera conductora de cableado estático cuando mida líquidos inflamables y mantenga la boquilla de llenado en contacto con el recipiente que se esté llenando durante el proceso de llenado.
6. **NO** exceda los 3,5 bar de presión en la tubería.
7. **NO** instale una válvula de contención o una válvula de retención adicional sin una válvula de alivio de presión, de lo contrario el medidor podría romperse.

Instalación

Los medidores están diseñados para una disposición horizontal de las tuberías, con flujo de izquierda a derecha. Los puertos de flujo se pueden cambiar a cualquiera de las cuatro posiciones para un sistema de tuberías horizontal o vertical, y para cualquier dirección de flujo.

1. Determine la dirección de flujo del líquido.
2. Instale el medidor **teniendo presente la flecha de dirección en la pieza fundida**.
3. Retire los cuatros tornillos (elemento 28).
4. Gire el conjunto de la superficie del medidor (elemento 37) en la orientación que desee.
5. Vuelva a colocar los cuatro tornillos (elemento 28).



⚠ PRECAUCIÓN

Las juntas de tuberías roscadas y las conexiones se deben sellar con el sellador adecuado o cinta selladora para minimizar las posibilidades de filtraciones.

AVISO

Si compró este medidor como parte de un "juego", la base del reborde del medidor tiene 4 orificios taladrados. Esto permite que el medidor se use con las bombas de las series 300 y 700. Alinee el soporte del medidor para la instalación e inserte los pernos en los dos orificios que se alinean con los orificios correspondientes en la salida de la bomba. Una vez que el soporte del medidor esté apertado fijamente en su lugar, instale los dos tapones en los orificios que no se usaron para evitar que la humedad entre a ellos.



Calibración

Los medidores Fill-Rite de la serie 900 se pueden calibrar ya sea para galones de EE. UU. o litros. Se debe calibrar después de la instalación, después del desmontaje, cuando presente desgaste significativo o cuando se mida un líquido con una viscosidad distinta. Según el modelo, los medidores de la serie 900 vienen calibrados de fábrica en galones de EE. UU. o en litros con alcohol mineral. La calibración se debe realizar entre 23 y 151 LPM (6 y 40 GPM). La calibración del medidor se puede cambiar fácilmente siguiendo el procedimiento de calibración. Se necesitará un recipiente con un volumen **CONOCIDO** para el proceso de calibración. Para el medidor digital de la serie 900 se debe usar un recipiente de 19 L (5 galones) o más.

Procedimiento para calibración

1. Para obtener la calibración más precisa, instale el medidor en la aplicación. Llene un recipiente hasta un volumen conocido con el líquido que se medirá.
2. Si la cantidad del medidor es incorrecta, gire el tornillo de calibración (elemento 31) hacia la izquierda para obtener menos líquido, o hacia la derecha para obtener más.
3. Repita los pasos 1 y 2 hasta que la calibración sea aceptable.

Operating Instructions

Para obtener mediciones precisas y evitar que el medidor se dañe, el medidor y el sistema de tuberías siempre deben estar llenos con líquido y no deben tener aire. El medidor se debe calibrar según las instrucciones en este manual antes de usarlo.

1. Detenga el flujo de líquido.
2. Restablezca el registro a "0".
3. El medidor está listo para usar. Inicie el flujo de líquido. No sobrepase la presión de la tubería de 3,5 bar.

Mantenimiento

Su medidor Fill-Rite de la serie 900 debería operar prácticamente sin mantenimiento. Sin embargo, algunos líquidos pueden secarse mientras están en el alojamiento del medidor, lo que causa que este deje de funcionar o funcione mal. Si esto ocurre, se debe limpiar meticulosamente el medidor.

Instrucciones de limpieza

Haga correr un líquido de enjuague a través del medidor. Para una limpieza más meticulosa, desarme el medidor según la sección "MONTAJE / DESMONTAJE", subsección "Montaje de la cámara de medidor". Enjuague meticulosamente todos los componentes del medidor. Vuelva a calibrar el medidor según las instrucciones de calibración anteriores.

AVISO

Cuando envíe un medidor a mantenimiento, se debe enjuagar tres veces y se debe acompañar con una nota que indique qué productos químicos se han bombeado por él. Los medidores que se no apeguen a estas especificaciones podrían ser rechazados.

Almacenamiento

Si se va a almacenar el medidor por un período prolongado, límpielo completamente. Esto ayudará a proteger el medidor de posibles daños.

Guía de solución de problemas

La siguiente guía de solución de problemas está diseñada para ayudarle con las reparaciones y diagnósticos básicos en caso de que se encontrara con un funcionamiento anormal de su medidor de la serie 900. Recomendamos que use solo piezas Fill-Rite originales. Estas piezas, así como la información de mantenimiento adicional, están disponibles mediante su distribuidor Fill-Rite autorizado.

En el manual de la bomba puede encontrar más información sobre la solución de problemas. Si necesita más asistencia, comuníquese con nosotros al 1-800-720-5192 (lunes a viernes de 8:00 a. m. a 5:00 p. m., hora del Este)

| Problema | Causa posible | Reparación recomendada |
|----------------------------------|--|---|
| Cuento no preciso | Mala calibración del medidor | Revise la calibración y vuelva a calibrar según sea necesario (instrucciones en la página 3). |
| | Aire en la tubería o en la cámara del medidor | Revise los sellos de las tuberías y las juntas en busca de filtraciones. Selle las juntas correctamente. |
| | El mecanismo de medición o los discos están bloqueados | Limpie o reemplace los componentes de medición internos según sea necesario. |
| Baja capacidad de flujo | Cámara del medidor obstruida | Limpie la cámara del medidor, limpie o reemplace las rejillas o los filtros en las tuberías. |
| Grietas en el cuerpo del medidor | Presión excesiva en la tubería | Instale una válvula de alivio de presión para permitir que la presión alta se purgue de vuelta al tanque. Reemplace el medidor. |
| Disco de nutación roto | Alta presión repentina del líquido golpea el disco | Instalar una válvula de cierre en la salida del medidor para evitar las subidas de flujo, instale el medidor lo más cerca posible de la bomba y mantenga la tubería llena de líquido. Reemplace el conjunto de cámara roto. |

Compatibilidad con fluidos

El Medidor de la Serie 900CDP **ES** compatible con los siguientes líquidos:

Combustible diesel, Biodiesel (hasta B20), Gasolina, Keroseno, Alcoholes minerales, Heptano, Hexano

El Medidor de la Serie 900CDP **NO ES** compatible con los siguientes líquidos:

Cloro Ácido, clorhídrico, Tinta, Ácido sulfúrico, Agua salada

⚠ PRECAUCIÓN

Si tiene dudas sobre la compatibilidad de líquidos específicos, comuníquese con el proveedor del líquido para verificar cualquier reacción adversa con los siguientes materiales húmedos:

Ryton®, Aluminio, Acero inoxidable, Fluorocarburo, Buna N, Poliéster, Teflon®, Níquel

Montaje y Desmontaje

El medidor de la serie 900 de un alojamiento de la cámara, una cámara de medición, un conjunto del contador digital y una cubierta. El medidor está diseñado de manera que se puede desmontar completamente sin perturbar el sistema de tuberías (consulte el diagrama en la página 6 para ver los números de piezas de los elementos).

Conjunto de contador

Para acceder al conjunto del contador:

1. Tome los bordes de la perilla de reajuste (artículo 15) y tirela firmemente en dirección opuesta al medidor para retirarla.
2. Retire los dos tornillos (elemento 14) en la parte superior e inferior de la tapa frontal.
3. Retire la tapa (elemento 11).
4. Retire los dos tornillos (elemento 12) para desprender la superficie del contador (elemento 13).
5. Retire los dos tornillos (elemento 9) para extraer el mecanismo contador.
6. Para volver a montar, invierta el procedimiento.

Conjunto de la cámara del medidor

La cámara del medidor consta de cámaras superior e inferior, un disco de nutación y cuatro tornillos.

1. Retire los 4 tornillos para exponer el conjunto de la cámara del medidor, el juego de engranajes y el sello (elemento 28).
2. La cámara del medidor se puede sacar si retira los 4 tornillos (elemento 5).

Para volver a montar, invierta este procedimiento.

AVISO

Si se reemplaza cualquier componente de la cámara del medidor, se debe reemplazar el conjunto completo debido a su método de fabricación de precisión. Esto asegurará un ajuste adecuado y un correcto funcionamiento de la cámara.

Juego de engranajes y sello

Para desmontar el juego de engranajes y el sello:

1. Retire los dos tornillos (elemento 8) y la estructura del engranaje (elemento 6).
2. Retire el juego de engranaje (elemento 18), la arandela (elemento 19) y el eje (elemento 17).
3. Gire y tire del engranaje conductor (elemento 24) para retirar este engranaje y las arandelas (elemento 23).
4. Retire el sello de la junta tórica (elemento 25).

AVISO

Al volver a montar el sello, lubrique las juntas tóricas con aceite o vaselina y reemplácelo en la cubierta. Coloque la arandela en el eje del engranaje conductor. Gire y presione cuidadosamente el eje a través de la junta tórica y la cubierta para evitar dañar la junta tórica. Entonces, se debe guiar el eje hacia el bisel de piñón (elemento 27) si no se ha retirado el contador. Revierta el proceso de desmontaje para reemplazar las piezas restantes y completar el montaje.

Reparar

Los medidores que necesiten reparaciones se deben llevar a una instalación de reparación autorizada. Los medidores se DEBEN enjuagar tres veces antes de llevarlos a reparaciones.

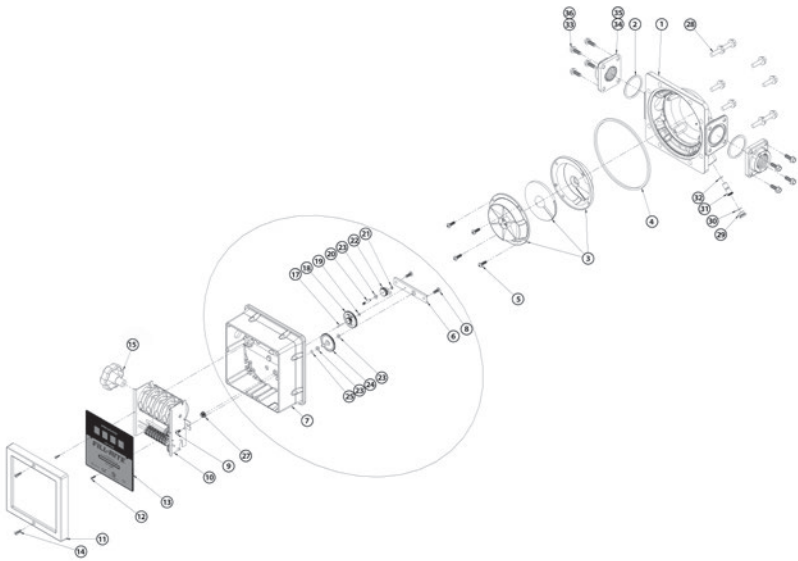
Aprobaciones de pruebas de seguridad

La línea de medidores Fill-Rite ha pasado pruebas de seguridad para cumplir con las normas establecidas por Underwriters Laboratories (UL).



Lista de piezas del medidor de la serie 900

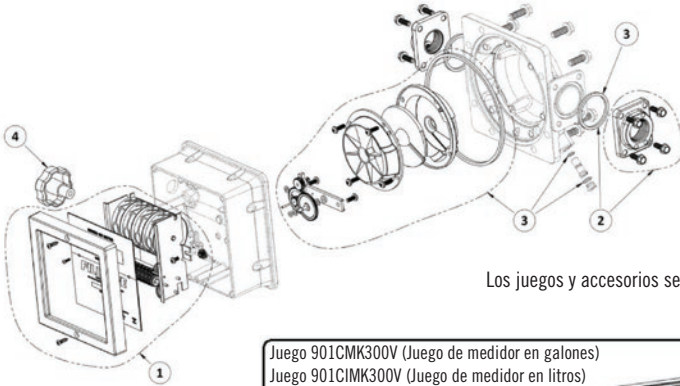
| N° de elemento | N.º de pieza | Descripción | Cant. | N° de elemento | N.º de pieza | Descripción | Cant. | |
|----------------|--------------|--|-------|----------------|--------------|---|--|---|
| 1 | 900F8051 | Carcasa del medidor | 1 | 25 | 800F4191 | Junta tórica (5-106) Fluorocarbono | 1 | |
| | 900F8102 | Carcasa del medidor - Niquelado | Opt. | | 27 | 800F3959 | Bisel de piñón | 1 |
| | 900F8101 | Carcasa del medidor - Recubierto de Teflon® | Opt. | | 28 | 700F2810 | 5/16-18 x 7/8 HHCS | 4 |
| 2 | 300F7744 | Junta de entrada/salida Buna-N | 2 | 29 | 900F8158 | Tornillo de sellado | 1 | |
| | 300F7788 | Junta de entrada/salida Fluorocarbono | Opt. | 30 | 800F4449 | Junta tórica (-012) Fluorocarbono | 1 | |
| 3 | 900F8087 | Asamblea de la cámara del medidor | 1 | 31 | 900F8160 | Tornillo de ajuste (incluye el elemento 32) | 1 | |
| 4 | 900F8067 | Junta Tapa Buna-N | 1 | 32 | 900F8159 | Junta tórica (-010) (Incluido en el artículo 31) Fluorocarbono | 1 | |
| | 900F8068 | Junta Tapa Fluorocarbono | Opt. | | 33 | 1200F6721 | 1/4-20 x 3/4 HHCS (1" metros) | 8 |
| 5 | 900G8886 | #10-24 x 5/8 TORX PH | 4 | 34 | | 900F8076 | Brida de medidor de 1" | 2 |
| 6 | 900F8066 | Marco de engranajes | 1 | | 900F8106 | Brida de medidor de 1" - Niquelada | Opt. | |
| | 900F8053 | Cubierta del medidor (incluye el elemento 20) | 1 | | 900F8105 | Brida de medidor de 1" - Revestimiento de PTFE | Opt. | |
| | 900F8104 | Cubierta del medidor - Niquelado | Opt. | 35 | 900F8092 | Brida de medidor de 1-1/2" | Opt. | |
| 7 | 900F8103 | Cubierta del medidor - Revestimiento de PTFE | Opt. | | 900F8110 | Brida de medidor de 1-1/2" - Niquelada | Opt. | |
| | 900F8103 | Cubierta del medidor - Revestimiento de PTFE | Opt. | | 900F8109 | Brida de medidor de 1-1/2" - Revestimiento de PTFE | Opt. | |
| 8 | VP1400F8822 | #10-24 x 1/2 TORX | 2 | 36 | 900F8091 | 1/4-20 x 1-1/2 HHCS (1-1/2" metros) | Opt. | |
| 9 | 900F4007 | #8-32 x 5/16 PHMS, ACR II, TT | 2 | | 37 | 900F8045 | Ensamblaje de la cubierta del medidor Galón de EE. UU. | 1 |
| 10 | 900F8070 | Ensamblaje del contador - Galón de EE. UU. | 1 | 900F8047 | | Ensamblaje de la cubierta del medidor - Galón de EE. UU., Niquelado | Opt. | |
| | 900F8071 | Ensamblaje del contador - Litro | Opt. | 900F8046 | | Ensamblaje de la cubierta del medidor - Galón de EE. UU., Revestimiento de PTFE | Opt. | |
| 11 | 900F8069 | Bisel | 1 | 900F8048 | | Ensamblaje de la cubierta del medidor - Litro | Opt. | |
| 12 | 35F1397 | # 4 x 3/8 PHTS | 2 | 900F8050 | | Ensamblaje de cubierta de medidor - Litro, Niquelado | Opt. | |
| 13 | 900F8072 | Cara de contador | 1 | 900F8049 | | Ensamblaje de la cubierta del medidor - Litro, Revestimiento de PTFE | Opt. | |
| | 900F8089 | Cara de contador - Litro | Opt. | | | | | |
| 14 | 900G8504 | #8 x 5/8 ZN/PL PH OVAL | 2 | | | | | |
| 15 | 800G8870 | Pomo | 1 | | | | | |
| 17 | 800F3820 | Eje - Engranaje de grupo | 1 | | | | | |
| 18 | 800F3841 | Engranaje de grupo - Galón de EE. UU. | 1 | | | | | |
| | 800F3843 | Engranaje de grupo - Litro | Opt. | | | | | |
| 19 | 800F3830 | Arandela | 1 | | | | | |
| 20 | 900F8063 | Eje del piñón del conductor (incluido con el elemento 7) | 1 | | | | | |
| 21 | 900F8065 | Anillo de retención | 1 | | | | | |
| 22 | 900F8064 | Piñón del conductor | 1 | | | | | |
| 23 | 800F3980 | Arandela | 3 | | | | | |
| 24 | 800F3845 | Engranaje impulsor - Galón de EE. UU. | 1 | | | | | |
| | 800F3846 | Engranaje impulsor - Litro | Opt. | | | | | |



Información sobre repuestos

Los repuestos se pueden obtener por medio de un distribuidor Fill-Rite autorizado. Asegúrese de utilizar solo piezas de repuesto originales de Fill-Rite para sus necesidades de servicio y mantenimiento. Si desea ver una lista de los distribuidores autorizados, visite nuestro sitio Web fillrite.com.

Modelos: 901, 901N, 9011.5, 901MK300, 901MK300V, 901LMK300V, & 901MK4200



Los juegos y accesorios se indican en la página 8.



Información sobre repuestos (continuación)

| N° de juego | Juego | Descripción | Contenido |
|-------------|---|--|--|
| 1 | KIT900GR (Galones) KIT900LR (Litros) | Juego de registrador del medidor de la serie 900 | Placa frontal, registrador, piezas metálicas de sujeción |
| 2 | KIT900PF1N | Juego de brida de medidor de 1" (NPT) | Bridas de medidor de 1" NPT, juntas tóricas, piezas metálicas de sujeción |
| 2 | KIT900PF1.5N | Juego de brida de medidor de 1,5" (NPT) | Bridas de medidor de 1,5" NPT, juntas tóricas, piezas metálicas de sujeción |
| 2 | KIT900PF1B | Juego de bridas de medidor de 1" (BSPT) | Bridas de medidor de 1" BSPT, juntas tóricas, piezas metálicas de sujeción |
| 2 | KIT900PF1.5B | Juego de bridas de medidor de 1,5" (BSPT) | Bridas de medidor de 1,5" BSPT, juntas tóricas, piezas metálicas de sujeción |
| 3 | 900KT | Juego de medición y sellado | Cámara de medición, engranajes impulsores, sellos asociados |
| 4 | 800G8870 | Perilla de reajuste | Perilla de reajuste |
| | 901MK300V | Medidor de la serie 900 (galones) con brida de entrada para bombas FR300 y FR700 | Medidor de la serie 900 (galones) |
| | | | Brida de entrada (4 orificios) |
| | | | Juntas tóricas necesarias |
| | | | Sujetadores necesarios |
| | 901LMK300V | Medidor de la serie 900 (litros) con brida de entrada para bombas FR300 y FR700 | Medidor de la serie 900 (litros) |
| | | | Brida de entrada (4 orificios) |
| | | | Juntas tóricas necesarias |
| | | | Sujetadores necesarios |

Garantía del producto Fill-Rite

Fill-Rite ("Fabricante") garantiza a cada comprador consumidor de sus productos Fill-Rite ("Comprador"), a partir de la fecha de la factura o comprobante, que los productos fabricados por la empresa ("Productos") no presentarán defectos de materiales ni de fabricación. La duración de la garantía es la siguiente:

- Productos de servicio pesado: dos años
- Productos de servicio estándar: un año
- Productos de servicio económico: un año
- Medidores de gabinete, piezas y accesorios: un año

La obligación exclusiva del Fabricante, de acuerdo con las garantías anteriores, se limitará, según la opción del Fabricante, a la reparación o reemplazo de los productos defectuosos (sujeto a las limitaciones que se indican más adelante) o al reembolso del valor de la compra de tales Productos pagados hasta entonces por el Comprador. El único recurso de los Compradores por el incumplimiento de cualquiera de estas garantías será el cumplimiento de tales obligaciones del Fabricante. Si el Fabricante solicita la devolución de tales Productos, estos se le reenviarán de acuerdo con las instrucciones de franco a bordo de la fábrica del Fabricante. Los recursos que se indican en este documento constituirán el único recurso del Comprador contra el Fabricante por incumplimiento de la garantía. **EN NINGÚN CASO LA RESPONSABILIDAD DEL FABRICANTE POR CUALQUIER RECLAMO POR DAÑOS QUE SURJAN DE LA FABRICACIÓN, VENTA, ENTREGA O USO DE LOS PRODUCTOS EXCEDERÁ EL VALOR DE COMPRA.**

Las garantías anteriores no se extenderán a los productos sujetos a un uso indebido, negligencia, accidente, mantenimiento o instalación incorrecta, o que hayan sido reparados por alguien que no sea el Fabricante o sus representantes autorizados. **LAS GARANTÍAS ANTERIORES SON EXCLUSIVAS Y REEMPLAZAN TODA OTRA GARANTÍA DE COMERCIABILIDAD, IDONEIDAD PARA UN PROPÓSITO DE CUALQUIER OTRO TIPO, YA SEA EXPRESA O IMPLÍCITA.** Ninguna persona podrá variar las garantías o recursos anteriores excepto por escrito y firmado por un trabajador debidamente autorizado por el Fabricante. La aceptación de la entrega de los Productos al Comprador constituye la aceptación de los recursos y las garantías anteriores, al igual que de todas las condiciones y limitaciones del presente documento.

Fill-Rite Company recomienda que conserve el comprobante de venta como prueba de su compra.